

# Hydrasearch

RECREATIONAL

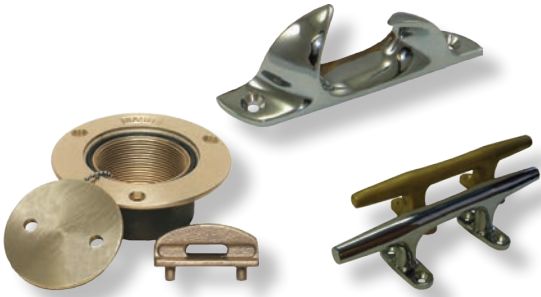
## Marine Hardware Catalog 218



H  
Y  
D  
R  
A  
S  
E  
A  
R  
C  
H  
  
R  
E  
C  
R  
E  
A  
T  
I  
O  
N  
A  
L

C  
A  
T  
A  
L  
O  
G  
  
2  
1  
8

## Deck Hardware



Mooring bits, cleats, hatch lifts, brackets, hinges, latches, step covers, ladder and rail fittings, hawse and deck plates.

**A** pgs. 3-16

## Drivetrain



Struts, bearings, shaft logs, packing boxes and accessories, fins.

**B** pgs. 17-41

## Exhaust Fittings



T and Y type, with flapper, 90° elbows.

**C** pgs. 43-46

## Hose & Clamps



Packing box, worm gear, T-bolt, single and double.

**D** pgs. 47-52

## Plumbing Fittings



Adapters, inserts, nipples, elbows, couplings, reducers, hex bushings, plugs, menders, vented loops, Tuff-lite™ fittings

**E** pgs. 53-64

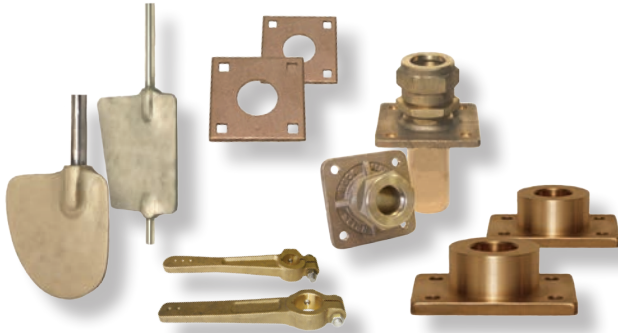
## Shafting & Accessories



Propeller shaft kits and accessories, shaft keystock, prop knockers, shaft collars, transmission couplers and guides.

**F** pgs. 65-76

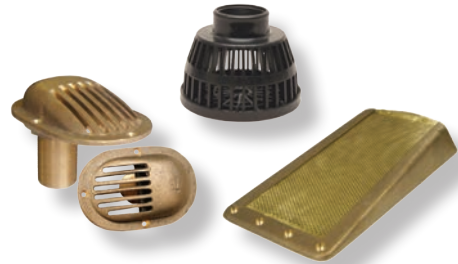
## Steering Hardware



Rudders, collars, bearing flanges, port mounts, tiller arms, clevises, swivel sockets, threaded balls, tie bars.

**G** pgs. 77-90

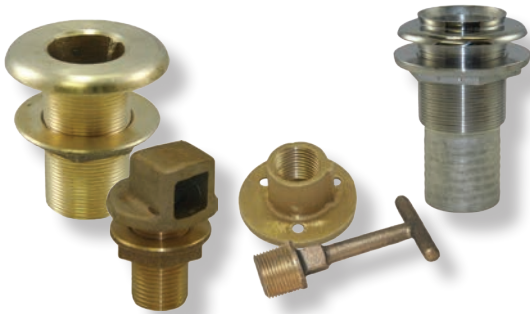
## Strainers



Basket, raw water, intake water, rectangular scoop, surface mount, round, navy pump, scoop.

**H** pgs. 91-99

## Thru Hulls



Standard, hose end, flush type, water outlet, drip lip, high speed pick-ups, drain plugs, step wrenches, fresh water washdown, gas tank vents.

**I** pgs. 101-108

## Valves



Ball, ball type seacocks, gate, mini, 316 stainless steel

**J** pgs. 109-114

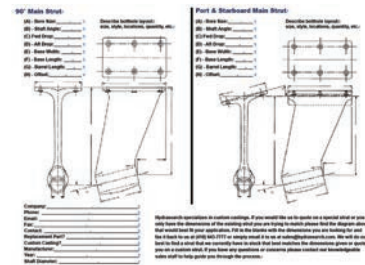
## Misc. Hardware



Oar locks, oar lock brackets, backing plates, dart and shank sets.

**K** pgs. 115-117

## Reference Information



Strut, rudder and coupler reference diagrams, fittings size chart, fraction - decimal conversion chart.

**L** pgs. 118-122



---

# Welcome to Hydrasearch!

**Builders of quality marine hardware and lasting relationships since 1955**

## History

In 1955 Buck Iron Company, Inc. a manufacturer of ferrous and non-ferrous castings in Lancaster, PA. began making custom castings for the marine industry. Buck Algonquin under the leadership of Mr. Thomas V. Krug, grew the business from custom struts, rudders and planking dogs to a full line marine manufacturer of custom castings. In 2010, Buck Algonquin merged with Hydrasearch Company, Inc., integrating a competitive line of recreational marine hardware with Hydrasearch Defense and Hydrasearch Commercial marine products. Now doing business as Hydrasearch Recreational, our company has grown into an industry leader in quality custom castings with a full line of products that are sold to the marine industry.

---

## About Us

Hydrasearch was founded with a mission of being an industry leader, providing quality products and giving excellent customer service. We have built successful relationships with our customers and vendors based on the Six Pillars of character: Trustworthiness, Respect, Responsibility, Fairness, Caring and Citizenship.

Hydrasearch has talented engineers ready to help with your design needs. The company has a modern CNC machine shop to assist in making a quality part.

Send your requests to our sales department by:

ph: 410-643-7145

fx: 410-643-7777

e-mail: [information@hydrasearch.com](mailto:information@hydrasearch.com)

mail to: Hydrasearch Company, Inc.

203A Log Canoe Circle

Stevensville, Maryland 21666

---

## Limited Warranty

Hydrasearch warrants the products described herein, and manufactured by Hydrasearch, to be free from defects in material and workmanship for a period of one (1) year from date of shipment by Hydrasearch, under normal use and service, its sole obligation under this warranty being limited to repairing and replacing as hereinafter provided, at its option, any product found to Hydrasearch's satisfaction to be defective upon examination by it, provided that such product shall be returned for inspection at Hydrasearch's factory within three (3) months after discovery of the defect.

The repair or replacement of defective products will be made without charge for parts and labor. This warranty shall not apply to parts or products not manufactured by Hydrasearch, the warranty of such items being limited to the actual warranty extended to Hydrasearch by its supplier.

This warranty shall not apply to any product which has been subject to abuse, negligence, accident or misapplication or to any product which has been altered or repaired by anyone other than Hydrasearch nor to normal maintenance services and the replacement of service items (such as washers, gaskets, and lubricants) made in connection with such services. Other than the obligation of Hydrasearch expressly set forth herein, Hydrasearch disclaims all warranties, expressed or implied, including but not limited to any implied warranties of merchantability or fitness for a particular purpose, and any other obligation or liability. The foregoing constitutes Hydrasearch's sole obligation with respect to damages, whether direct, incidental or consequential, resulting from their use or performance of the product.

---

## Shipping Procedures

At Hydrasearch we are committed to shipping orders in an expedient manner. When an order requires same day shipping, the order needs to be placed before 2:30 pm EST. We strive to ship as soon as possible. All shipments are sent F.O.B. Hydrasearch. Our standard method of shipping is United Parcel Service (UPS) for small shipments and common carrier for pallet size shipments. If your order is too large for UPS we will ship via common carrier, collect or billed to your account. If not specified, we will ship via the most economical common carrier. We encourage specific shipping instructions to be given when an order is placed to ensure proper handling of shipments.

---

## Return Policies

If the return of a Hydrasearch product is required; we require a RGA (Return Goods Authorization) number to be issued by Hydrasearch. In order to acquire an RGA number, please contact our sales staff. All product sent back to Hydrasearch must be properly packaged. If the return is damaged due to improper packaging, it will be refused and returned to the sender. All orders are subject to a 25% restocking fee. Hydrasearch does not credit for machining performed by the customer, unless authorized by Hydrasearch prior to the machining being performed. All returns are to be shipped F.O.B. Hydrasearch.

---

## Purchasing Products

Hydrasearch sells through our wholesale distribution network. Please feel free to contact us at [information@hydrasearch.com](mailto:information@hydrasearch.com) or visit our website at [hydrasearchrecreational.com/distributor](http://hydrasearchrecreational.com/distributor) to locate your local distributor.



## Deck Hardware ..... 4 to 16

Mooring bitts .....	4	Locking latches.....	8
Skene chocks.....	4	Step covers.....	9
Stern lifting handles.....	4	Fly bridge ladder steps.....	9
Open base cleats .....	5	Boarding steps.....	9
316 stainless steel.....	5	Engine air intake caps.....	9
Light type .....	5	Boarding ladder hardware sets.....	10
Extra light type.....	5	Bow eyes .....	10
Stud cleats .....	6	Ladder brackets .....	10
Euro stud cleats.....	6	Hawse pipes .....	11
Heavy duty stud cleats .....	6	Mating.....	11
Weld-on cleats.....	6	Cleat.....	12
Tapped cleats.....	6	Triangular .....	12
Round base .....	6	Backing plates.....	12
Oval base .....	6	Deck plates .....	13
Hatch lifts .....	7	Deck plate caps.....	13
Wood rail.....	7	Deck plate keys.....	13
Hinges .....	7	Pipe deck plates.....	14
Locks.....	7	Cockpit scuppers .....	15
Rail fittings .....	7	Bronze with hose end.....	15
Transom door.....	8	316 Stainless steel with hose end.....	15
Hinges .....	8	316 Stainless steel top.....	15
Latches.....	8	Scupper plate.....	16
		Oval rope deck plates .....	16



In order to ensure proper function of products, it is strongly recommended that each part is inspected and serviced monthly. Inspection should include, but not be limited to, visible damage, excessive wear, and proper bonding. Failure to properly maintain your product may result in catastrophic failure and/or loss of life.

Mooring Bitts

Deck Hardware



- Feature:**
- polished finish

Base Size	Overall Height	Basehole C to C	Pin Length	Screw Size	Weight lbs.	316 Stainless Steel Part #
4½" x 4½"	3½"	3½" x 3½"	4½"	¾"	2.05	<b>70MB4x4</b>
5" x 5"	4⅝"	3¾" x 3¾"	7"	¾"	3.85	<b>70MB5x5</b>
6" x 6"	6"	4¾" x 4¾"	8"	¾"	4.45	<b>70MB6x6</b>
7" x 7"	6½"	5⅝" x 5⅝"	9"	½"	8.7	<b>70MB7x7</b>

Skene Chocks

- Features:**
- bronze is cast finish
  - 316 stainless steel is polished finish
  - sold in pairs



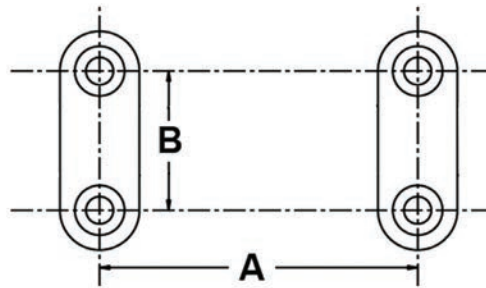
Overall Length	Overall Height	Base Width	Max Rope Size	Screw C to C	Weight lbs.	Bronze Part #
6"	1⅞"	1⅝"	1"	4⅝"	2.20	<b>00BC600S</b>

Overall Length	Overall Height	Base Width	Max Rope Size	Screw C to C	Screw Size	Weight lbs.	316 Stainless Steel Part #
4½"	1⅛"	¾"	¾"	3¾"	#8	0.70	<b>70BCS400S</b>
6"	1⅞"	1⅞"	1"	4¾"	¼"	1.50	<b>70BCS600S</b>
8"	1⅞"	1⅞"	1¼"	6⅞"	¼"	2.50	<b>70BCS800S</b>
9"	2¼"	1¾"	1½"	7½"	⅜"	5.75	<b>70BCS900S</b>

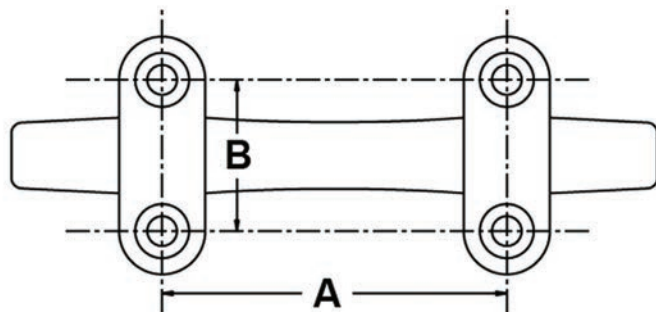
Stern Lifting Handles

- Feature:**
- polished finish



Overall Length	Overall Height	Base Size W x L	Dimensions		C.S. Screw Size	Weight lbs.	316 Stainless Steel Part #
			A	B			
5¾"	1¾"	1" x 1¾"	4⅝"	1⅝"	#10	0.50	<b>70SLH1</b>

Open Base Cleats



Deck Hardware

**Feature:**

- bronze cast finish

Overall Length	Overall Height	Base Size W x L	Dimensions		Counter Sink Screw Size	Weight lbs.	Bronze Part #
			A	B			
6 <sup>9</sup> / <sub>16</sub> "	1 <sup>3</sup> / <sub>8</sub> "	5 <sup>8</sup> / <sub>16</sub> " x 1 <sup>5</sup> / <sub>8</sub> "	2 <sup>11</sup> / <sub>16</sub> "	1"	#10	0.55	<b>00COB675</b>
10"	2 <sup>1</sup> / <sub>4</sub> "	1" x 3"	3 <sup>5</sup> / <sub>16</sub> "	2"	5 <sup>5</sup> / <sub>16</sub> "	2.75	<b>00COB1000</b>

**316 Stainless Steel**

**Feature:**

- polished finish

Overall Length	Overall Height	Base Size W x L	Dimensions		Counter Sink Screw Size	Weight lbs.	316 Stainless Steel Part #
			A	B			
10"	2 <sup>7</sup> / <sub>16</sub> "	1" x 2 <sup>7</sup> / <sub>8</sub> "	3 <sup>3</sup> / <sub>4</sub> "	1 <sup>7</sup> / <sub>8</sub> "	5 <sup>5</sup> / <sub>16</sub> "	2.00	<b>70COBS1000</b>
12"	2 <sup>7</sup> / <sub>8</sub> "	1 <sup>1</sup> / <sub>4</sub> " x 3 <sup>1</sup> / <sub>2</sub> "	4 <sup>7</sup> / <sub>8</sub> "	2 <sup>7</sup> / <sub>16</sub> "	5 <sup>5</sup> / <sub>16</sub> "	4.00	<b>70COBS1200</b>
14 <sup>7</sup> / <sub>8</sub> "	3 <sup>15</sup> / <sub>16</sub> "	1 <sup>3</sup> / <sub>8</sub> " x 4"	5"	2 <sup>5</sup> / <sub>8</sub> "	1 <sup>1</sup> / <sub>2</sub> "	7.00	<b>70COBS1500</b>
14 <sup>1</sup> / <sub>2</sub> "	3"	1 <sup>5</sup> / <sub>8</sub> " x 4 <sup>1</sup> / <sub>8</sub> "	6 <sup>1</sup> / <sub>4</sub> "	2 <sup>5</sup> / <sub>8</sub> "	1 <sup>1</sup> / <sub>2</sub> "	6.20	<b>70COBS15LP</b>

**Light Type**

**Feature:**

- polished finish

Overall Length	Overall Height	Base Size W x L	Dimensions		Counter Sink Screw Size	Weight lbs.	316 Stainless Steel Part #
			A	B			
6"	1 <sup>1</sup> / <sub>4</sub> "	1 <sup>1</sup> / <sub>16</sub> " x 1 <sup>13</sup> / <sub>16</sub> "	2 <sup>1</sup> / <sub>4</sub> "	1"	1 <sup>1</sup> / <sub>4</sub> "	0.50	<b>70COBS600L</b>
10"	2 <sup>1</sup> / <sub>8</sub> "	1" x 2 <sup>3</sup> / <sub>4</sub> "	3 <sup>3</sup> / <sub>4</sub> "	1 <sup>7</sup> / <sub>8</sub> "	5 <sup>5</sup> / <sub>16</sub> "	1.75	<b>70COBS100L</b>
12"	2 <sup>1</sup> / <sub>8</sub> "	1" x 2 <sup>3</sup> / <sub>4</sub> "	3 <sup>3</sup> / <sub>4</sub> "	1 <sup>7</sup> / <sub>8</sub> "	5 <sup>5</sup> / <sub>16</sub> "	2.15	<b>70COBS120L</b>

**Extra Light Type**

**Feature:**

- polished finish

Overall Length	Overall Height	Base Size W x L	Dimensions		Counter Sink Screw Size	Weight lbs.	316 Stainless Steel Part #
			A	B			
8"	1 <sup>5</sup> / <sub>8</sub> "	3 <sup>4</sup> / <sub>4</sub> " x 2 <sup>1</sup> / <sub>16</sub> "	2 <sup>7</sup> / <sub>8</sub> "	1 <sup>3</sup> / <sub>8</sub> "	1 <sup>1</sup> / <sub>4</sub> "	0.70	<b>70COBS80XL</b>
10"	2"	1" x 2 <sup>7</sup> / <sub>8</sub> "	3 <sup>5</sup> / <sub>8</sub> "	1 <sup>7</sup> / <sub>8</sub> "	5 <sup>5</sup> / <sub>16</sub> "	1.38	<b>70COBS10XL</b>



Stud Cleats

Deck Hardware



Features:

- polished finish
- includes stainless steel studs, nuts and washer

Overall Length	Overall Height	Base Size W x L	Stud Size C to C	Stud Size	Weight lbs.	316 Stainless Steel Part #
4"	1"	5/8" x 1 1/16"	2"	1/4" x 1 1/2"	0.25	<b>70SC400</b>
6"	1 1/4"	5/8" x 1 3/4"	2 1/4"	5/16" x 1 3/4"	0.60	<b>70SC600</b>
8"	1 1/2"	1 3/16" x 1 5/8"	2 3/4"	3/8" x 2"	0.85	<b>70SC800</b>

Euro



Features:

- polished finish
- includes stainless steel studs and nuts

Overall Length	Overall Height	Stud Size C to C	Stud Size	Weight lbs.	316 Stainless Steel Part #
6"	1 1/8"	2 1/4"	1/2" x 1 1/2"	0.60	<b>70ESC600</b>
8"	1 3/8"	2 7/8"	1/2" x 2 1/4"	1.30	<b>70ESC800</b>
10"	1 13/16"	3 5/8"	1/2" x 2 1/2"	2.25	<b>70ESC1000</b>
12"	2 1/2"	4 1/4"	5/8" x 2 1/2"	3.45	<b>70ESC1200</b>

Heavy Duty



Features:

- polished finish
- includes stainless steel studs, nuts and washer

Overall Length	Overall Height	Base Size W x L	Stud Size C to C	Stud Size	Weight lbs.	316 Stainless Steel Part #
8"	2"	1" x 2 5/8"	3 3/8"	3/8" x 3"	1.70	<b>70SC800HD</b>
10"	2 1/2"	1" x 2 5/16"	3 3/4"	1/2" x 1 3/4"	2.40	<b>70SC1000HD</b>

Weld-On



Feature:

- polished finish

Overall Length	Overall Height	Base Size C to C	Base Size W x L	Weight lbs.	316 Stainless Steel Part #
15"	3 3/8"	5 1/4"	1 5/16" x 3 7/8"	6.70	<b>70COBS1500MOD</b>

Tapped Cleats - Round Base



Feature:

- polished finish

Round Base Base

Overall Length	Overall Height	Max Rope Size	Tapped C to C	Threaded	Weight lbs.	316 Stainless Steel Part #
10"	2 3/8"	3/4"	4"	3/8" - 16	1.80	<b>70COBSSTUD100</b>
12"	2 7/8"	1"	4"	1/2" - 13	3.20	<b>70COBSSTUD120T</b>

Oval Base



Feature:

- polished finish

Overall Length	Overall Height	Base Size W x L	Tapped C to C	Threaded	Weight lbs.	316 Stainless Steel Part #
12"	2 7/8"	1 3/16" x 3 1/2"	4 7/8"	1/2" - 13	3.65	<b>70COBSSTUD120FT</b>

## Hatch Lifts

**Feature:**

- polished finish

Plate Dimensions	Screw Size	Weight lbs.	316 Stainless Steel Part #
2¼" x 3"	#8	0.30	<b>70HLS1</b>
1½" x 1 <sup>15</sup> / <sub>16</sub> "	#6	0.19	<b>70HLS2</b>

**70HLS1****70HLS2**

## Rail Fittings

**End****Feature:**

- polished finish

Overall Length	Overall Width	Overall Height	Height to Center	Tube Size	Weight lbs.	316 Stainless Steel Part #
2¾"	<sup>15</sup> / <sub>16</sub> "	2¾"	1¾"	1"	0.40	<b>70RLES100X</b>

**Center****Feature:**

- polished finish

Overall Length	Overall Width	Overall Height	Height to Center	Tube Size	Weight lbs.	316 Stainless Steel Part #
2¾"	<sup>15</sup> / <sub>16</sub> "	2¾"	1¾"	1"	0.35	<b>70RLCS100X</b>



## Wood Rail

**Hinges****Feature:**

- polished finish

Inside Dimensions	Overall Length	Screw Size CS	Weight lbs.	316 Stainless Steel Part #
1¼" x 2 <sup>11</sup> / <sub>16</sub> "	3 <sup>5</sup> / <sub>8</sub> "	#10	1.50	<b>70WRLHS1</b>

**Locks****Feature:**

- polished finish

Inside Dimensions	Overall Length	Screw Size CS	Weight lbs.	316 Stainless Steel Part #
1⅞" x 2 <sup>11</sup> / <sub>16</sub> "	3 <sup>5</sup> / <sub>8</sub> "	#10	1.50	<b>70WRLLS1</b>



Transom Door

Hinges

Deck Hardware



- Feature:**
- polished finish

Overall Length	Overall Width	Screw Size CS	Weight lbs.	316 Stainless Steel Part #
4"	6"	1/4"	1.00	<b>70SSH4X6</b>
5"	8"	1/4"	1.65	<b>70SSH5X8</b>

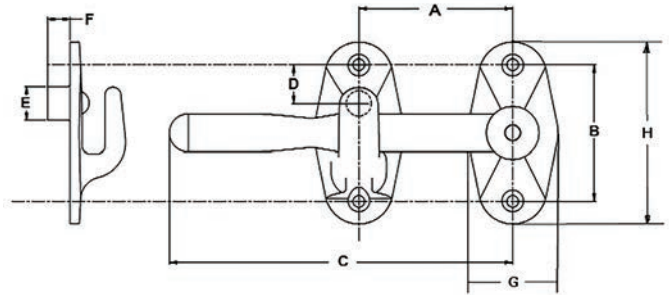
Latches



- Feature:**
- polished finish

Handle Length	Overall Height	Plate Size W x L	Dimensions				Screw Size	Weight lbs.	316 Stainless Steel Part #
			A	B	G	H			
6"	1 1/4"	1 1/2" x 3"	2 1/2"	2 1/4"	1 1/2"	3"	#10	0.75	<b>70TDL625</b>

Locking Latches



- Feature:**
- polished finish

Dimensions								Screw Size	Weight lbs.	316 Stainless Steel Part #
A	B	C	D	E	F	G	H			
2 1/2"	2 1/4"	5 3/4"	5/8"	9/16"	3/8"	1 1/2"	3"	#10	0.75	<b>70TDL625SM</b>
3"	2 3/8"	6 1/4"	7/8"	9/16"	3/8"	1 5/8"	3 1/8"	#10	1.20	<b>70TDL625LG</b>



Step Covers

Feature:

- polished finish

Base Size W x L	Overall Height	Opening W x L	C.S. Screw Size	Weight lbs.	316 Stainless Steel Part #
3 <sup>5</sup> / <sub>8</sub> " x 8 <sup>3</sup> / <sub>4</sub> "	1 <sup>1</sup> / <sub>16</sub> "	2 <sup>1</sup> / <sub>4</sub> " x 7 <sup>7</sup> / <sub>16</sub> "	#8	0.75	<b>70GCSTEPSMALL</b>
5 <sup>5</sup> / <sub>8</sub> " x 11 <sup>1</sup> / <sub>2</sub> "	1"	4 <sup>3</sup> / <sub>8</sub> " x 10 <sup>1</sup> / <sub>4</sub> "	#8	1.50	<b>70GCSTEPLARGE</b>
3 <sup>17</sup> / <sub>32</sub> " x 8 <sup>21</sup> / <sub>32</sub> "	3/4"	2 <sup>3</sup> / <sub>16</sub> " x 7 <sup>1</sup> / <sub>8</sub> "	#8	0.75	<b>70CCBSTEP</b>

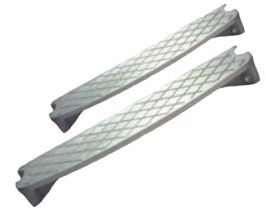


Fly Bridge Ladder Steps

Features:

- anodized aluminum
- satin finish

Base Size W x L	Tube Size	Tube Angle Degree	Screw Size	Weight lbs.	Aluminum Part #
3" x 17"	1"	11 <sup>1</sup> / <sub>2</sub> °	1/4"	2.30	<b>26ST170100</b>



Boarding Steps

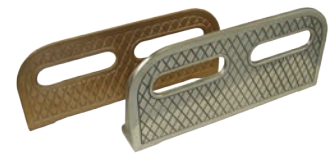
Features:

- bronze with cast finish
- stainless steel with polished finish

Base Size W x L	Mounting Surface	Hand Holes	Angle Degree	Weight lbs.	Bronze Part #	Stainless Steel Part #
4 <sup>3</sup> / <sub>8</sub> " x 6"	1 <sup>15</sup> / <sub>16</sub> " x 6"	1" x 4"	90°	2.25	<b>00BS600</b>	---
4 <sup>3</sup> / <sub>8</sub> " x 6"	1 <sup>7</sup> / <sub>8</sub> " x 6"	1" x 4"	90°	2.25	---	<b>70BS600</b>
4" x 7"	2 <sup>1</sup> / <sub>4</sub> " x 7"	1" x 4"	100°	2.30	<b>00BS700</b>	---
4 <sup>5</sup> / <sub>16</sub> " x 10 <sup>3</sup> / <sub>4</sub> "	4 <sup>5</sup> / <sub>16</sub> " x 10 <sup>3</sup> / <sub>4</sub> "	1" x 4"	90°	3.85	<b>00BS1100</b>	---
5" x 10 <sup>3</sup> / <sub>4</sub> "	1 <sup>7</sup> / <sub>8</sub> " x 10 <sup>3</sup> / <sub>4</sub> "	1" x 4"	90°	5.10	---	<b>70BS1100</b>



00BS600 & 70BS600



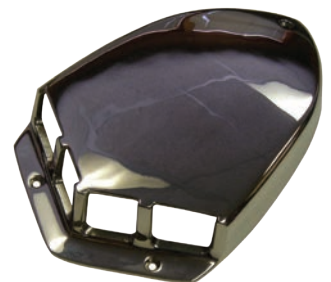
00BS1100 & 70BS1100

Engine Air Intake Caps

Feature:

- polished finish

Overall Length	Overall Height	Overall Width	C.S. Screw Size	Weight lbs.	316 Stainless Steel Part #
8 <sup>3</sup> / <sub>4</sub> "	1 <sup>1</sup> / <sub>2</sub> "	5 <sup>1</sup> / <sub>2</sub> "	#6	1.80	<b>70GCBEARCLAW</b>



## Boarding Ladder Hardware Sets

Deck Hardware

**Features:**

- sold in complete set
- polished finish

Screw Size	Weight lbs.	Bronze Part #	316 Stainless Steel Part #
#10	3.30	<b>01BLH1</b>	<b>70BLH1</b>

## Replacement Parts

**Features:**

- sold in pairs
- polished finish



70BLB

Description	Screw Size	Weight lbs.	Bronze Part #	316 Stainless Steel Part #
bracket	#10	1.85	<b>01BLB</b>	<b>70BLB</b>
eye	#10	0.70	<b>01BLE</b>	<b>70BLE</b>
hinge	#10	0.75	<b>01BLH</b>	<b>70BLH</b>

## Ladder Brackets

**Feature:**

- polished finish

Screw Size	Weight lbs.	316 Stainless Steel Part #
4"	3.30	<b>70LB</b>

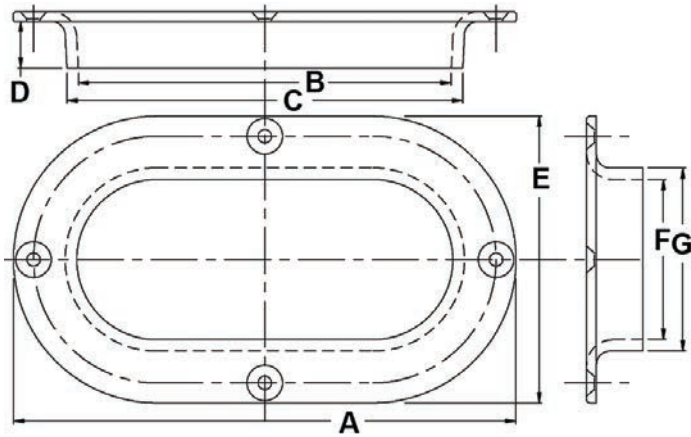
## Bow Eyes



Shank Length	Shank Diameter	Eye Diameter	Weight lbs.	Cast Bronze <sup>1</sup> Part #	Polished 316 Stainless Steel Part #
3"	3/8"	1"	0.30	<b>00BE300</b>	<b>70BE300</b>
4"	3/8"	1"	0.35	<b>00BE400</b>	<b>70BE400</b>
6"	3/8"	1"	0.45	<b>00BE600</b>	<b>70BE600</b>
6"	1/2"	1"	0.60	<b>00BE6005</b>	---

<sup>1</sup> the bronze bow eyes come with a shouldered stem

Hawse Pipes



**Feature:**

- cast finish

Dimensions							C.S. Screw Size	Weight lbs.	Bronze Part #
A	B	C	D	E	F	G			
6 $\frac{1}{4}$ "	3 $\frac{7}{8}$ "	4 $\frac{1}{4}$ "	$\frac{3}{4}$ "	3"	1 $\frac{7}{8}$ "	2 $\frac{1}{4}$ "	$\frac{1}{4}$ "	1.20	<b>00HP1</b>
7 $\frac{1}{16}$ "	4 $\frac{1}{2}$ "	5"	1 $\frac{7}{8}$ "	4 $\frac{1}{16}$ "	1 $\frac{1}{2}$ "	2"	$\frac{1}{4}$ "	2.90	<b>00HP2</b>
9 $\frac{3}{8}$ "	7"	7 $\frac{7}{16}$ "	$\frac{7}{8}$ "	5 $\frac{5}{16}$ "	2 $\frac{15}{16}$ "	3 $\frac{3}{8}$ "	$\frac{1}{4}$ "	2.40	<b>00HP3</b>



**Feature:**

- polished finish

Dimensions							C.S. Screw Size	Weight lbs.	316 Stainless Steel Part #
A	B	C	D	E	F	G			
6 $\frac{1}{16}$ "	3 $\frac{15}{16}$ "	4 $\frac{1}{4}$ "	1 $\frac{1}{8}$ "	3 $\frac{5}{16}$ "	1 $\frac{15}{16}$ "	2 $\frac{1}{4}$ "	#10	1.20	<b>70HPS1</b>
6 $\frac{15}{16}$ "	4 $\frac{1}{2}$ "	4 $\frac{7}{8}$ "	1 $\frac{7}{8}$ "	3 $\frac{15}{16}$ "	1 $\frac{1}{2}$ "	1 $\frac{7}{8}$ "	$\frac{1}{4}$ "	1.20	<b>70HPS2</b>
9 $\frac{3}{8}$ "	6 $\frac{15}{16}$ "	7 $\frac{7}{16}$ "	$\frac{7}{8}$ "	5 $\frac{3}{8}$ "	2 $\frac{7}{8}$ "	3 $\frac{3}{8}$ "	$\frac{1}{4}$ "	2.40	<b>70HPS3</b>



Mating Hawse Pipes

**Features:**

- sold as a set
- polished finish

Outside Flange W x L	Hawse Opening W x L	Distance Between Flanges Min. to Max	C.S. Screw Size	Weight lbs.	316 Stainless Steel Part #
4" x 7"	1 $\frac{9}{16}$ " x 4 $\frac{9}{16}$ "	1 $\frac{1}{4}$ " to 2 $\frac{1}{2}$ "	#12	3.85	<b>70HPS6</b>
5 $\frac{3}{4}$ " x 9 $\frac{1}{2}$ "	3" x 6 $\frac{7}{8}$ "	1 $\frac{5}{8}$ " to 3 $\frac{1}{4}$ "	#12	7.75	<b>70HPS7</b>
6 $\frac{1}{2}$ " x 9 $\frac{1}{2}$ "	3 $\frac{3}{4}$ " x 6 $\frac{7}{8}$ "	1 $\frac{5}{8}$ " to 3 $\frac{1}{4}$ "	$\frac{5}{16}$ "	8.75	<b>70HPS8</b>

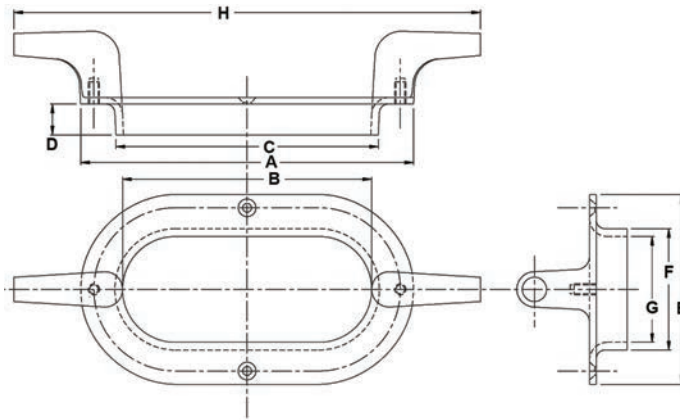




Deck Hardware



Cleat Hawse Pipes

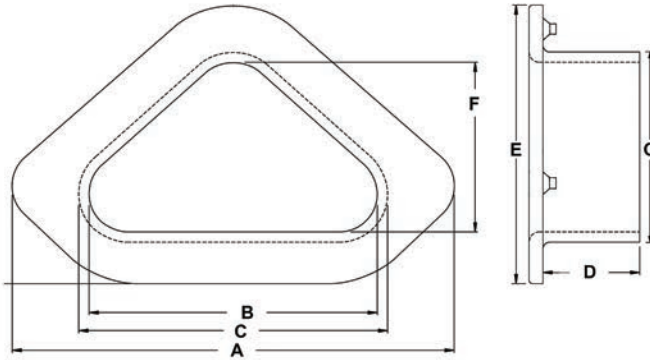


Feature:

- polished finish

Dimensions								C.S. Screw Size	Weight lbs.	316 Stainless Steel Part #
A	B	C	D	E	F	G	H			
9 1/4"	7 1/8"	7 1/2"	1 3/16"	5 1/4"	3 15/16"	2 15/16"	14"	1/4"	3.45	<b>70HPS2</b>

Triangular Hawse Pipes



Feature:

- polished finish

Dimensions							C.S. Screw Size	Weight lbs.	316 Stainless Steel Part #
A	B	C	D	E	F	G			
7 7/8"	5 1/4"	5 1/2"	1 1/4"	4 15/16"	3 1/16"	3 15/16"	1/4"	2.20	<b>70HPTS3</b>

Backing Plates



Dimensions							C.S. Screw Size	Weight lbs.	316 Stainless Steel Part #
A	B	C	D	E	F	G			
9 3/8"	7 1/4"	n/a	n/a	5 3/8"	3"	n/a	1/4"	1.6	<b>70HPBP3</b>

Deck Plates

Features:

- machined finish
- not an O-ring seal

Opening I.D.	Hub O.D.	Length Under Flange	Flange O.D.	C.S. Screw Size	Weight lbs.	Bronze Part #
4"	4 <sup>3</sup> / <sub>8</sub> "	<sup>5</sup> / <sub>8</sub> "	5 <sup>3</sup> / <sub>4</sub> "	#12	3.00	<b>00DP400</b>
5"	5 <sup>3</sup> / <sub>8</sub> "	<sup>3</sup> / <sub>4</sub> "	7 <sup>3</sup> / <sub>8</sub> "	#12	4.00	<b>00DP500</b>
6"	6 <sup>1</sup> / <sub>2</sub> "	<sup>3</sup> / <sub>4</sub> "	8 <sup>1</sup> / <sub>8</sub> "	#12	5.00	<b>00DP600</b>
8"	8 <sup>1</sup> / <sub>4</sub> "	1"	10 <sup>1</sup> / <sub>4</sub> "	#12	9.00	<b>00DP800</b>



Deck Plate Caps

Use with Part #'s	Part #
00DP400	<b>00DP400C</b>
00DP500	<b>00DP500C</b>
00DP600	<b>00DP600C</b>
00DP800	<b>00DP800C</b>



Deck Plate Keys

Use with Part #'s	Part #
00DP400	<b>00DP400K</b>
00DP500, 00DP600	<b>00DP500K</b>
00DP800	<b>00DP800K</b>



Pipe Deck Plates

Features:

- machined finish
- each pipe deck plate is furnished with a beaded chain, cap, O-ring and key
- Please specify one of the following marks to be stamped on the flange when ordering: Diesel, Fuel, Gas, Waste, Water. If you would like a flange without a stamp "No Mark" is available. Oil only available in stainless steel.



Pipe Size	Shank O.D.	Length Under Flange	Flange O.D.	C.S. Screw Size	Weight lbs.	Bronze Part #	316 Stainless Steel Part #
1¼"	1¾"	1 <sup>5</sup> / <sub>16</sub> "	3 <sup>1</sup> / <sub>8</sub> "	#10	0.70	<b>00PDP125</b>	---
1½"	2 <sup>1</sup> / <sub>8</sub> "	1 <sup>5</sup> / <sub>16</sub> "	3 <sup>3</sup> / <sub>4</sub> "	#10	1.10	<b>00PDP150</b>	<b>70PDPS150</b>
2"	2¾"	1½"	4 <sup>5</sup> / <sub>8</sub> "	#10	2.30	<b>00PDP200</b>	<b>70PDPS200</b>

Replacement Parts



Use with Part #'s	Keys Part #	Caps Part #	O-rings Part #
00PDP125	<b>00PDPK150</b>	<b>00PDPC125</b>	<b>ORING125</b>
00PDP150	<b>00PDPK150</b>	<b>00PDPC150</b>	<b>ORING150</b>
00PDP200	<b>00PDPK200</b>	<b>00PDPC200</b>	<b>ORING200</b>
70PDPS125	<b>00PDPK150</b>	<b>70PDPS125C</b>	---
70PDPS150	<b>00PDPK150</b>	<b>70PDPS150C</b>	---
70PDPS200	<b>00PDPK200</b>	<b>70PDPS200C</b>	---

Cockpit Scuppers

Bronze Top with Hose End

**Feature:**

- cast finish

Strainer O.D.	Overall Height	Hose O.D.	C.S. Screw Size	Weight lbs.	Bronze Part #
4¼"	4⅛"	2⅜"	#8	3.00	<b>00CPS438</b>



316 Stainless Steel Top with Hose End

**Feature:**

- polished top and cast body finish

Strainer O.D.	Overall Height	Hose O.D.	C.S. Screw Size	Weight lbs.	316 Stainless Steel Part #
4¼"	4⅛"	2⅜"	#8	3.00	<b>70CPS438</b>
3¼"	2⅜"	1"	#8	1.00	<b>00CPS325</b>



316 Stainless Steel Top

**Feature:**

- polished top and cast body finish

Strainer O.D.	Overall Height	NPT Size	C.S. Screw Size	Weight lbs.	316 Stainless Steel Part #
3½"	1"	2"	#8	0.50	<b>00CPS350</b>



Replacement Tops

**Feature:**

- polished toph

Replacement for Part #	Top O.D.	Weight lbs.	316 Stainless Steel Part #
00CPS325	3¼"	0.10	<b>70CPS325T</b>
00CPS350	3½"	0.10	<b>70LV350</b>
70CPS438	4¼"	0.40	<b>70CPS438T</b>





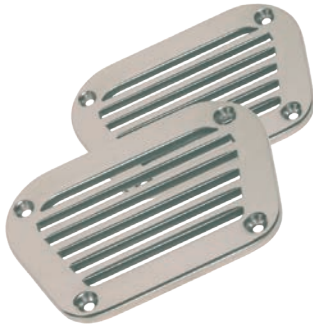
## Oval Rope Deck Plates

**Features:**

- polished finish
- complete with spring loaded hinged top

Flange W x L	Pipe Opening	Hub W x L	Length Under Flange	C.S. Screw Size	Weight lbs.	316 Stainless Steel Part #
4" x 5½"	2 <sup>7</sup> / <sub>16</sub> " x 3 <sup>3</sup> / <sub>4</sub> "	2 <sup>3</sup> / <sub>4</sub> " x 4 <sup>1</sup> / <sub>8</sub> "	¾"	#8	1.90	<b>70ORDPS2</b>

## Scupper Plates


**Feature:**

- polished finish

Overall Width	Overall Length	Overall Height	C.S. Screw Size	Weight lbs.	316 Stainless Steel Part #
6 <sup>5</sup> / <sub>8</sub> "	4 <sup>5</sup> / <sub>8</sub> "	¼"	¼"	1.50	<b>70SCUPPER</b>



Drivetrain ..... 18 to 41

Struts

Main ..... 18-19

Intermediate ..... 18

Sailboat ..... 19

Port and starboard ..... 20

Vee ..... 21

Universal ..... 21

Adjustable ..... 22-23

    Cut off type ..... 22

    Swivel type ..... 23

Strut bolts ..... 24

Naval brass sleeve bearings ..... 25

Stern bearing housings..... 26

    Oval flange ..... 26

    Rectangular flange ..... 26

Sailboat shaft logs ..... 26

Albin stern bearing housings ..... 27

    Oval flange ..... 27

    Oval flange with tube ..... 27

    Flange type

        Tournament ..... 28

Stern tube packing boxes ..... 29

Self-aligning gland type (with space) ..... 30

    Heavy duty ..... 30

Studs..... 31

    Tournament (with space) ..... 32

Self-aligning gland type (without space) ..... 32

Spud type

    Tournament water cooled ..... 33

    Right hand thread..... 35

Shaft logs..... 36-40

    Thru hull style..... 36

    Offset style ..... 37

    Angled style ..... 38

    Oval base..... 39

    Rectangular base..... 39

    Square base..... 40

    Triangular base ..... 40

Ski boat fins ..... 40

Wrenches ..... 41

Packing accessories..... 41

    Flax packing..... 41

    Dripless moldable packing ..... 41

    Packing extractors ..... 41



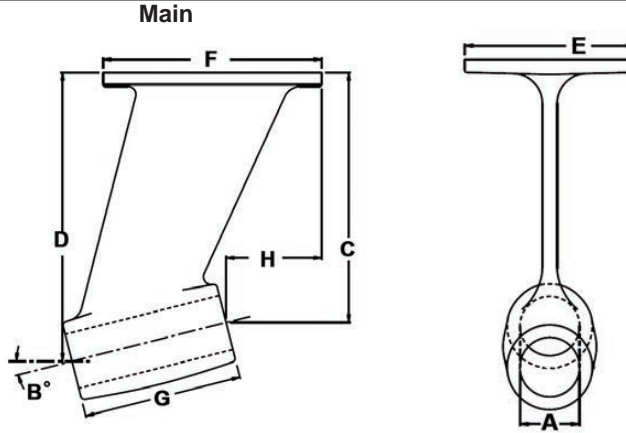
In order to ensure proper function of products, it is strongly recommended that each part is inspected and serviced monthly. Inspection should include, but not be limited to, visible damage,excessive wear,and proper bonding. Failure to properly maintain your product may result in catastrophic failure and/or loss of life.

Struts

Features:

- all struts come bored (shaft bearings and baseholes can be installed upon request) to accept a shaft bearing with set screws installed
- We also specialize in custom castings. If you can't find the strut you are looking for please find the reference drawings in the back of this catalog, fill in the blanks, and send it back to us by email or fax. We will find a strut that best fits your application or quote you on a custom casting.

Drivetrain



Dimensions								Original OEM	Cast Number	Weight lbs.	Bronze Part #
Bore Size (A)	Shaft Ang. (B Deg.)	Fwd. Drop (C)	Aft. Drop (D)	Base Width (E)	Base Length (F)	Barrel Length (G)	Offset (H)				
1 1/4"	12°	5 1/16"	6 3/32"	3 3/8"	5 3/4"	5"	1 5/16"	FORESBURG	16FT	5.00	<b>MS1 125</b>
2"	12°	7 3/4"	8 3/4"	4 5/8"	6 1/4"	5"	1 23/32"	ALGONQUIN	A-125	11.00	<b>MS2 200</b>
2"	21°	5 1/4"	7 1/16"	4 7/8"	6"	4 7/8"	0"	ALGONQUIN	A-113, 1236 33FT	11.00	<b>MS4 200</b>
2"	11°	8 31/32"	9 15/16"	7"	7"	5"	7"	WHEELER	#258	19.00	<b>MS5 200</b>
2 3/8"	10 1/2°	10 3/4"	11 25/32"	7 3/4"	8 1/4"	5 5/8"	4 3/32"	WHEELER	#175	29.00	<b>MS6 2375</b>
1 1/2"	12°	6 15/16"	7 15/16"	4"	6"	4 3/4"	5/8"	PETERSON BOAT	38FT	8.00	<b>MS8 150</b>
1 1/2"	19°	5 5/8"	6 29/32"	3 1/4"	5 1/2"	4"	3 3/32"	CRESTLINER	N/A	7.00	<b>MS10 150</b>
2"	14°	6 7/16"	7 5/8"	5"	6"	5"	1 9/16"	JEFFERSON/ALRIO	4/74	9.00	<b>MS10X200BH</b>
2"	15°	7 7/16"	8 11/16"	5"	6"	5"	1 11/16"	JEFFERSON/ALRIO	N/A	10.00	<b>MS10XL200B</b>
2"	14°	8 13/32"	9 19/32"	5"	6"	5"	1 3/4"	N/A	N/A	11.00	<b>MS10XLW200</b>
1 1/2"	11 1/2°	6 21/32"	7 1/16"	3 5/16"	5 5/8"	4"	2 1/4"	REVEL-CRAFT	N/A	7.00	<b>MS14 150</b>
2"	13°	9 9/16"	10 3/4"	5 3/4"	7"	5 1/4"	-1/16"	GREENWHICH MAIN	N/A	22.00	<b>MS15 200</b>
2 3/8"	13°	9 7/32"	10 25/32"	5 3/4"	7"	7"	-1 3/4"	N/A	N/A	19.00	<b>MS15 2375</b>
2"	23°	7 7/8"	9 25/32"	6 1/4"	9 1/4"	4 7/8"	2 7/8"	PETERSON BOAT	38FT	18.00	<b>MS16 200</b>
1 1/2"	15°	9 9/16"	10 5/8"	5 3/4"	8"	5"	6 11/16"	SOUTH HAMPTON	31FT BAHU	15.00	<b>MS19 150</b>
1 1/2"	16 1/2°	7 1/2"	8 21/32"	4 7/8"	8"	5"	2 5/8"	EGG HARBOR	30FT	14.00	<b>MS20 150</b>
1 3/4"	14 1/2°	8 23/32"	10 1/16"	5"	6 5/8"	5"	1 13/16"	PACEMAKER	AL-30-S 175	13.00	<b>MS21 175</b>
1 1/2"	15°	6 1/2"	7 9/16"	3 1/2"	6"	4"	2 1/2"	REVEL-CRAFT	6227	7.00	<b>MS22 150</b>
2 3/8"	11°	12 1/8"	13 7/16"	6"	8 1/2"	7"	1 7/8"	N/A	N/A	22.00	<b>MS23 2375</b>
1 5/8"	19°	5 3/4"	7 3/32"	4"	7"	4"	3 3/16"	ALGLASS	24T65	8.00	<b>MS27 1625</b>
1 3/4"	14°	9 31/32"	11 7/32"	5"	8"	5"	3 3/16"	PACEMAKER	34T66	12.00	<b>MS28 175</b>
1 1/2"	16 1/2°	8 5/16"	9 13/16"	5"	7"	5"	2 5/8"	NAUTALINE	N/A	13.00	<b>MS29 150</b>
1 1/2"	17 1/2°	6 15/16"	8 5/32"	5"	7 1/2"	4"	2 9/16"	N/A	N/A	10.00	<b>MS30150 BH</b>
1 3/4"	17 1/2°	8 11/32"	9 27/32"	5"	8"	5"	3 5/16"	SPLENDOR CRAFT	N/A	13.00	<b>MS31 175</b>

Struts

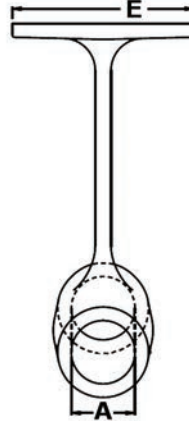
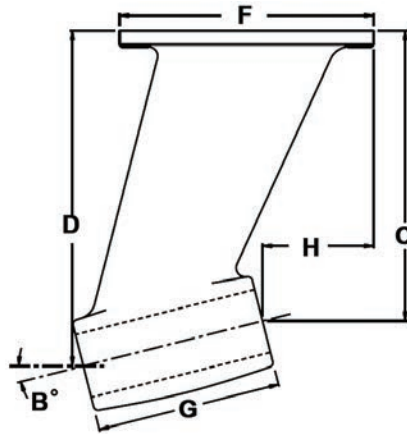
Intermediate - Half Size



Dimensions								Original OEM	Cast Number	Weight lbs.	Bronze Part #
Bore Size (A)	Shaft Ang. (B Deg.)	Fwd. Drop (C)	Aft. Drop (D)	Base Width (E)	Base Length (F)	Barrel Length (G)	Offset (H)				
2"	9 1/2°	1 5/8"	2 1/8"	2 5/8"	5 7/8"	2 5/8"		OCEAN YACHT	N/A	4.00	<b>IS1X 200</b>
1 3/4"	11°	2 1/4"	2 23/32"	3 3/8"	2 7/8"	2 1/2"		OCEAN YACHT	N/A	4.00	<b>IS2X 175</b>
2 3/8"	12°	2 5/8"	3 3/16"	3 1/4"	4"	2 3/4"		OCEAN YACHT	N/A	6.00	<b>IS3X 2375</b>
2"	14°	1 5/8"	2 7/32"	4 5/8"	3 1/8"	2 7/16"		PACEMAKER	36FT 1972-36-72	3.00	<b>IS7X 200</b>

Struts

Main



Dimensions								Original OEM	Cast Number	Weight lbs.	Bronze Part #
Bore Size (A)	Shaft Ang. (B Deg.)	Fwd. Drop (C)	Aft. Drop (D)	Base Width (E)	Base Length (F)	Barrel Length (G)	Offset (H)				
2"	10°	11 <sup>7</sup> / <sub>16</sub> "	12 <sup>15</sup> / <sub>16</sub> "	6 <sup>1</sup> / <sub>2</sub> "	8"	5"	5 <sup>5</sup> / <sub>16</sub> "	PACEMAKER	36-72 DCFB	20.00	<b>MS32 200</b>
2 <sup>3</sup> / <sub>8</sub> "	8 <sup>1</sup> / <sub>2</sub> °	12 <sup>21</sup> / <sub>32</sub> "	13 <sup>17</sup> / <sub>32</sub> "	8"	9"	6"	6 <sup>7</sup> / <sub>8</sub> "	OCEAN YACHTS	40FT SF	40.00	<b>MS33 2375BH</b>
2"	12°	10 <sup>29</sup> / <sub>32</sub> "	12 <sup>3</sup> / <sub>64</sub> "	6"	8"	5 <sup>1</sup> / <sub>2</sub> "	5 <sup>1</sup> / <sub>8</sub> "	PACEMAKER	36-SF or ST-72 or EH-36	20.00	<b>MS34 200BH</b>
2"	11°	8 <sup>3</sup> / <sub>4</sub> "	9 <sup>13</sup> / <sub>16</sub> "	5"	6 <sup>7</sup> / <sub>8</sub> "	5 <sup>1</sup> / <sub>2</sub> "	9 <sup>9</sup> / <sub>16</sub> "	EGG HARBOR	33FT	15.00	<b>MS39 200</b>
2 <sup>3</sup> / <sub>8</sub> "	14°	10 <sup>31</sup> / <sub>32</sub> "	12 <sup>11</sup> / <sub>32</sub> "	7 <sup>3</sup> / <sub>4</sub> "	8 <sup>1</sup> / <sub>4</sub> "	5 <sup>11</sup> / <sub>16</sub> "	4 <sup>3</sup> / <sub>8</sub> "	SEA HAWK	N/A	33.00	<b>MS42 2375</b>
2"	15 <sup>1</sup> / <sub>2</sub> °	8 <sup>9</sup> / <sub>16</sub> "	9 <sup>15</sup> / <sub>16</sub> "	5 <sup>1</sup> / <sub>4</sub> "	10 <sup>1</sup> / <sub>8</sub> "	5"	5 <sup>5</sup> / <sub>8</sub> "	N/A	N/A	17.00	<b>MS43 2000</b>
1 <sup>3</sup> / <sub>4</sub> "	14°	7 <sup>23</sup> / <sub>32</sub> "	9 <sup>1</sup> / <sub>8</sub> "	5"	6 <sup>7</sup> / <sub>8</sub> "	5"	3"	WELLCRAFT	WE14201882	20.00	<b>MS50 175</b>
2 <sup>3</sup> / <sub>8</sub> "	13°	12 <sup>15</sup> / <sub>16</sub> "	13 <sup>29</sup> / <sub>32</sub> "	7 <sup>3</sup> / <sub>8</sub> "	9"	7"	4"	WELLCRAFT	WE14202404 (40FT)	39.00	<b>MS51 2375</b>
1 <sup>3</sup> / <sub>4</sub> "	19°	8"	9 <sup>23</sup> / <sub>32</sub> "	4 <sup>1</sup> / <sub>2</sub> "	8"	5 <sup>1</sup> / <sub>2</sub> "	4 <sup>3</sup> / <sub>16</sub> "	TOPAZ	TP24FTMAIN	15.00	<b>MS53 175</b>
2 <sup>5</sup> / <sub>8</sub> "	15°	12"	13 <sup>13</sup> / <sub>16</sub> "	6 <sup>1</sup> / <sub>2</sub> "	10 <sup>1</sup> / <sub>4</sub> "	7 <sup>1</sup> / <sub>8</sub> "	3 <sup>1</sup> / <sub>2</sub> "	SABRE	SLSA36	41.00	<b>MS54 2625</b>
1 <sup>5</sup> / <sub>8</sub> "	16 <sup>1</sup> / <sub>2</sub> °	7 <sup>3</sup> / <sub>8</sub> "	9 <sup>3</sup> / <sub>16</sub> "	3 <sup>7</sup> / <sub>8</sub> "	6 <sup>1</sup> / <sub>2</sub> "	4 <sup>1</sup> / <sub>2</sub> "	3 <sup>3</sup> / <sub>8</sub> "	NAVSTAR-TARTAN	NS372	10.00	<b>MS56 1625</b>
1 <sup>5</sup> / <sub>8</sub> "	18 <sup>1</sup> / <sub>2</sub> °	7 <sup>1</sup> / <sub>8</sub> "	8 <sup>7</sup> / <sub>16</sub> "	3 <sup>7</sup> / <sub>8</sub> "	5 <sup>1</sup> / <sub>2</sub> "	4 <sup>1</sup> / <sub>8</sub> "	-1"	NAVSTAR-TARTAN	NS846	14.00	<b>MS57 1625</b>
1 <sup>1</sup> / <sub>4</sub> "	15°	6 <sup>11</sup> / <sub>16</sub> "	7 <sup>3</sup> / <sub>4</sub> "	3 <sup>1</sup> / <sub>2</sub> "	6"	4"	3 <sup>1</sup> / <sub>8</sub> "	TROJAN	13051	6.00	<b>MS59 125</b>
1 <sup>1</sup> / <sub>4</sub> "	16°	6 <sup>3</sup> / <sub>8</sub> "	7 <sup>17</sup> / <sub>32</sub> "	3 <sup>1</sup> / <sub>2</sub> "	6"	4 <sup>1</sup> / <sub>8</sub> "	3 <sup>1</sup> / <sub>8</sub> "	TROJAN	13057	6.00	<b>MS61 125</b>
1 <sup>1</sup> / <sub>4</sub> "	15 <sup>1</sup> / <sub>2</sub> °	7 <sup>9</sup> / <sub>16</sub> "	8 <sup>15</sup> / <sub>16</sub> "	4"	6"	4"	2 <sup>3</sup> / <sub>4</sub> "	TROJAN	13063	7.00	<b>MS62 125</b>
1 <sup>3</sup> / <sub>4</sub> "	11 <sup>1</sup> / <sub>2</sub> °	8 <sup>15</sup> / <sub>64</sub> "	9 <sup>7</sup> / <sub>16</sub> "	4 <sup>1</sup> / <sub>2</sub> "	8"	5"	4 <sup>13</sup> / <sub>16</sub> "	N/A	N/A	13.00	<b>MS63 175</b>
2 <sup>3</sup> / <sub>8</sub> "	12°	3 <sup>3</sup> / <sub>4</sub> "	5 <sup>1</sup> / <sub>32</sub> "	4 <sup>1</sup> / <sub>4</sub> "	6 <sup>1</sup> / <sub>8</sub> "	6"	-1 <sup>1</sup> / <sub>16</sub> "	EGG HARBOR	35FT INT	10.00	<b>MS67 2375</b>
1 <sup>3</sup> / <sub>4</sub> "	14 <sup>1</sup> / <sub>2</sub> °	10 <sup>1</sup> / <sub>16</sub> "	11 <sup>5</sup> / <sub>16</sub> "	5 <sup>3</sup> / <sub>4</sub> "	11 <sup>1</sup> / <sub>2</sub> "	5"	8 <sup>9</sup> / <sub>32</sub> "	SILVERTON	SMS3033-3	21.00	<b>MS74 175</b>
1 <sup>3</sup> / <sub>4</sub> "	14 <sup>1</sup> / <sub>2</sub> °	9 <sup>7</sup> / <sub>32</sub> "	10 <sup>15</sup> / <sub>32</sub> "	5 <sup>3</sup> / <sub>4</sub> "	11 <sup>1</sup> / <sub>2</sub> "	5"	8 <sup>9</sup> / <sub>32</sub> "	SILVERTON	SMS30-33	15.00	<b>MS75 175</b>
2"	15°	9 <sup>17</sup> / <sub>32</sub> "	10 <sup>27</sup> / <sub>32</sub> "	6"	8"	5"	5 <sup>29</sup> / <sub>32</sub> "	OCEAN YACHTS	OCMS24	22.00	<b>MS76 200</b>

Struts

Sailboat

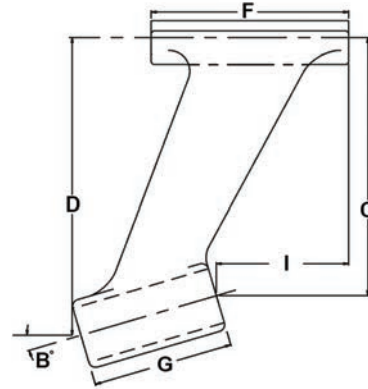
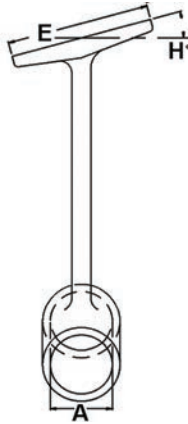
Dimensions								Weight lbs.	Bronze Part #
Bore Size (A)	Shaft Ang. (B Deg.)	Fwd. Drop (C)	Aft. Drop (D)	Base Width (E)	Base Length (F)	Barrel Length (G)	Offset (H)		
1 <sup>1</sup> / <sub>4</sub> "	12°	5 <sup>7</sup> / <sub>8</sub> "	6 <sup>11</sup> / <sub>16</sub> "	3 <sup>3</sup> / <sub>8</sub> "	5 <sup>1</sup> / <sub>4</sub> "	4"	1 <sup>13</sup> / <sub>16</sub> "	4.30	<b>MSS1 125</b>
1 <sup>1</sup> / <sub>4</sub> "	18°	4 <sup>7</sup> / <sub>8</sub> "	6 <sup>1</sup> / <sub>8</sub> "	3 <sup>1</sup> / <sub>2</sub> "	5 <sup>1</sup> / <sub>2</sub> "	4"	3"	4.00	<b>MSS2 125</b>
1 <sup>1</sup> / <sub>4</sub> "	18 <sup>1</sup> / <sub>2</sub> °	4 <sup>3</sup> / <sub>4</sub> "	6 <sup>1</sup> / <sub>32</sub> "	3 <sup>3</sup> / <sub>4</sub> "	6 <sup>1</sup> / <sub>2</sub> "	4"	2 <sup>11</sup> / <sub>16</sub> "	4.00	<b>MSS3 125</b>
1 <sup>1</sup> / <sub>4</sub> "	20°	6 <sup>3</sup> / <sub>8</sub> "	7 <sup>3</sup> / <sub>4</sub> "	4 <sup>1</sup> / <sub>8</sub> "	5 <sup>5</sup> / <sub>8</sub> "	4"	2 <sup>1</sup> / <sub>4</sub> "	8.00	<b>MSS4 125</b>



Struts

Port and Starboard Struts

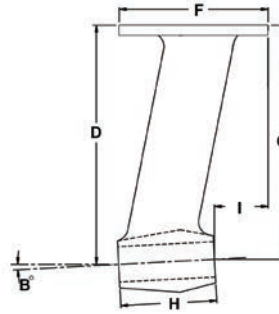
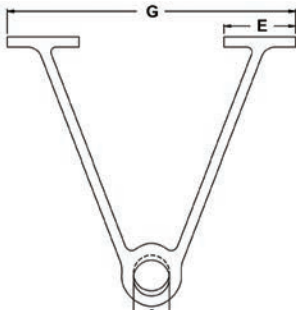
Drivetrain



Dimensions									Original OEM	Cast Number	Weight lbs.	Port Side Bronze Part #	Starboard Side Bronze Part #
Bore Size (A)	Shaft Ang. (B Deg.)	Fwd. Drop (C)	Aft. Drop (D)	Base Width (E)	Base Length (F)	Barrel Length (G)	Base Ang. (H Deg.)	Offset (I)					
1 3/4"	14°	8 17/32"	10"	5"	6 3/4"	5"	6 1/4°	1 3/16"	PACEMAKER	AL-30 P&S, 32FT PACE	11.00	<b>MS1P&amp;SPORT</b>	<b>MS1P&amp;SSTAR</b>
2"	16°	9 5/32"	10 9/16"	4 5/8"	7"	5"	15°	4 11/16"	WELLCRAFT	WE14202501 /2510	14.00	<b>MS4P&amp;SPORT</b>	<b>MS4P&amp;SSTAR</b>
2 3/8"	11 1/2°	11 7/32"	12 5/16"	6"	8"	5 1/2"	12°	7/8"	CONCORDE	133-1001-P&S	22.00	<b>MS5P&amp;SPORT</b>	<b>MS5P&amp;SSTAR</b>
1 3/4"	14°	8 1/2"	9 3/4"	5"	7"	5 1/8"	16°	3"	WELLCRAFT	WE14201858 /1866	17.00	<b>MS8P&amp;SPORT</b>	<b>MS8P&amp;SSTAR</b>
2 3/8"	16°	9 3/4"	12"	6"	11"	8 1/4"	18°	4 1/2"	TOPAZ	TO32FT	35.00	<b>MS15P&amp;SPOR</b>	<b>MS15P&amp;SSTA</b>
2 5/8"	15°	10 11/16"	12 7/8"	5 7/8"	11"	8 1/4"	14°	4 1/4"	TOPAZ	TC36FT	33.00	<b>MS16P&amp;SPOR</b>	<b>MS16P&amp;SSTA</b>
2 5/8"	10 1/2°	14 7/16"	16 3/32"	7"	12"	9"	16 1/2°	4 15/16"	TOPAZ	TO44FT	69.00	<b>MS17P&amp;SPOR</b>	<b>MS17P&amp;SSTA</b>
2 3/8"	14 1/2°	9 31/32"	11 5/8"	5"	9"	6 9/16"	16 1/2°	3 7/16"	TOPAZ	TP29TM	23.00	<b>MS18P&amp;SPOR</b>	<b>MS18P&amp;SSTA</b>
3"	13°	11 5/8"	13 19/32"	7"	12 1/4"	8 3/4"	13°	4 1/2"	TOPAZ	TP39FT	48.00	<b>MS19P&amp;SPOR</b>	<b>MS19P&amp;SSTA</b>
2"	13°	8 11/32"	9 5/8"	4 7/8"	9"	5 5/8"	17°	4 3/8"	TOPAZ	TPPS29	14.00	<b>MS20P&amp;SPOR</b>	<b>MS20P&amp;SSTA</b>
3 3/8"	11°	14 7/8"	17 1/16"	7"	12 3/16"	11"	16 1/2°	5 13/16"	TOPAZ	TP 50 FT	82.00	<b>MS22P&amp;SPOR</b>	<b>MS22P&amp;SSTA</b>
1 1/2"	14°	8 5/16"	9 17/32"	6"	6 3/4"	5"	5°	3 13/16"	WELLCRAFT	WE14201823 /1815	12.00	<b>MS27P&amp;SPOR</b>	<b>MS27P&amp;SSTA</b>
2"	14°	9 3/8"	10 7/8"	6"	9"	6 1/4"	15°	4 13/16"	WELLCRAFT	WE142315 /305	26.00	<b>MS28P&amp;SPOR</b>	<b>MS28P&amp;SSTA</b>
1 1/2"	14°	7 3/4"	8 23/32"	4 1/2"	5 9/16"	4"	17°	2 13/16"	WELLCRAFT	WE14201751 /831	8.00	<b>MS29P&amp;SPOR</b>	<b>MS29P&amp;SSTA</b>

Struts

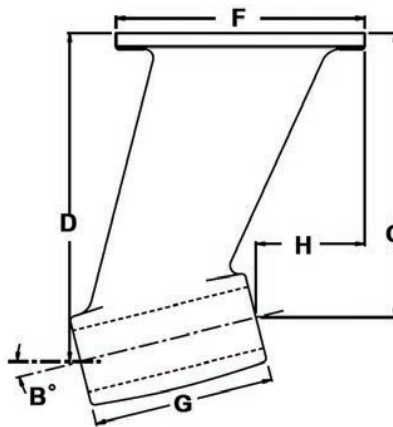
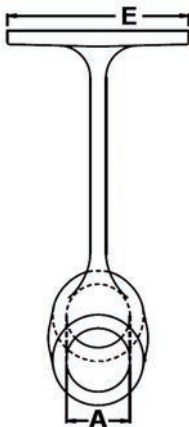
Vee Struts



Bore Size (A)	Shaft Ang. (B Deg.)	Fwd. Drop (C)	Dimensions						Weight lbs.	Bronze Part #
			Aft. Drop (D)	Base Width (E)	Base Length (F)	Outside Pads (G)	Barrel Length (H)	Offset (I)		
2"	12°	9"	10¼"	3½"	7 <sup>5</sup> / <sub>8</sub> "	13¼"	6"	1 <sup>5</sup> / <sub>8</sub> "	32.00	<b>VS1 200</b>
2 <sup>5</sup> / <sub>8</sub> "	6½°	12 <sup>5</sup> / <sub>16</sub> "	13¼"	4½"	8"	21"	8"	¼"	53.00	<b>VS4 2375</b>
3 <sup>1</sup> / <sub>8</sub> "	6°	16 <sup>5</sup> / <sub>32</sub> "	17 <sup>5</sup> / <sub>32</sub> "	6"	10"	24½"	10"	3 <sup>1</sup> / <sub>16</sub> "	80.00	<b>VS9 3125</b>
2"	14½°	10¾"	12¼"	3"	8 <sup>5</sup> / <sub>8</sub> "	17 <sup>1</sup> / <sub>8</sub> "	6"	2 <sup>1</sup> / <sub>8</sub> "	40.00	<b>VS16 200</b>
2 <sup>5</sup> / <sub>8</sub> "	14½°	10¾"	12¼"	3"	8 <sup>5</sup> / <sub>8</sub> "	17 <sup>1</sup> / <sub>8</sub> "	6"	2 <sup>1</sup> / <sub>8</sub> "	40.00	<b>VS16 2625</b>
2 <sup>3</sup> / <sub>8</sub> "	12½°	11 <sup>5</sup> / <sub>8</sub> "	13 <sup>3</sup> / <sub>8</sub> "	5"	8"	20¾"	7"	2 <sup>11</sup> / <sub>16</sub> "	48.00	<b>VS17 2375</b>
3"	13°	12½"	14 <sup>1</sup> / <sub>8</sub> "	5 <sup>1</sup> / <sub>8</sub> "	8"	21"	7"	2 <sup>11</sup> / <sub>16</sub> "	58.00	<b>VS17X 300</b>
2"	13°	11 <sup>5</sup> / <sub>32</sub> "	12 <sup>9</sup> / <sub>32</sub> "	2"	6 <sup>7</sup> / <sub>16</sub> "	19¼"	5"	2 <sup>1</sup> / <sub>16</sub> "	15.00	<b>VS36 200</b>
2 <sup>5</sup> / <sub>8</sub> "	11°	12 <sup>11</sup> / <sub>32</sub> "	13¾"	2"	10"	17 <sup>1</sup> / <sub>8</sub> "	7"	3 <sup>9</sup> / <sub>16</sub> "	35.00	<b>VS39 2625</b>

Struts

Universal Sailboat Struts



Bore Size	Shaft Angle Degree	Barrel Length	Web Width	Overall Length	Weight lbs.	Bronze Part #
1¼"	16°	4 <sup>1</sup> / <sub>8</sub> "	3½"	16"	10.00	<b>MSSU1125BO</b>
1½"	16°	4 <sup>1</sup> / <sub>8</sub> "	3½"	16"	10.00	<b>MSSU1150BO</b>



Drivetrain

Struts

Adjustable Cut Off Type



AS3 200

Bore Size	Max Drop	Base Width	Base Length	Barrel Length	Weight lbs.	Bronze Part #
2"	13¾"	5"	6"	5"	5.00	<b>AS3 200</b>



AS4 200

Bore Size	Max Drop	Base Width	Base Length	Barrel Length	Weight lbs.	Bronze Part #
2"	13¾"	5"	6"	6"	20.00	<b>AS4 200</b>



AS5 150

Bore Size	Max Drop	Base Width	Base Length	Barrel Length	Weight lbs.	Bronze Part #
1½"	7"	3¼"	5 <sup>7</sup> / <sub>16</sub> "	5"	9.00	<b>AS5 150</b>

Replacement Parts

Used on Part #	Base Part #	Barrel Part #	Foot Part #
AS3 200	<b>AS3 BASE</b>	<b>AS3BARR 200</b>	---
AS3X 200		---	---
AS4 200		<b>AS4BARR 150</b>	<b>AS4 FOOT</b>
AS5 150	<b>AS5 BASE</b>	<b>AS5BARR 150</b>	---

Struts

Adjustable Swivel Type

Bore Size	Max Drop	Base Width	Base Length	Barrel Length	Weight lbs.	Bronze Part #
1½"	5⅝"	3"	5½"	4"	6.00	<b>AS1 150</b>
1¾"	5⅝"	3"	5½"	4"	6.00	<b>AS1 175</b>
1½"	7 <sup>3</sup> / <sub>16</sub> "	3½"	6½"	5"	11.00	<b>AS2 150</b>
1¾"	7 <sup>3</sup> / <sub>16</sub> "	3½"	6½"	5"	11.00	<b>AS2 175</b>
1½"	9⅜"	3½"	6½"	5"	12.00	<b>AS2X 150</b>
1¾"	9⅜"	3½"	6½"	5"	12.00	<b>AS2X 175</b>



Replacement Bases

Used on Part #	Part #
AS1 150, AS1 175	<b>AS1 BASE</b>
AS2 150, AS2 175, AS2X 150, AS2X 175	<b>AS2 BASE</b>

Replacement Barrels

Used with Part #	Part #
AS1 150	<b>AS1BARR 150</b>
AS1 175	<b>AS1BARR 175</b>
AS2 150	<b>AS2BARR 150</b>
AS2 175	<b>AS2BARR 175</b>
AS2X 150	<b>AS2XBARR 150</b>
AS2X 175	<b>AS2XBARR 175</b>

Strut Bolts

Carriage

Drivetrain



Thread Size	Length Under Head	Bronze Part #
5/16"-18	5"	<b>CAR031X550CB</b>
3/8"-16	5 1/2"	<b>CAR037X550CB</b>
1/2"-13	5 1/2"	<b>CAR050X550CB</b>
5/8"-11	5 1/2"	<b>CAR062X550CB</b>

Flat Head Hex Socket



Thread Size	Length Under Head	Bronze Part #
5/16"-18	5 1/2"	<b>FLHD031X550SH</b>
3/8"-16	5 1/2"	<b>FLHD037X550SH</b>
1/2"-13	5 1/2"	<b>FLHD050X550SH</b>
5/8"-11	5 1/2"	<b>FLHD062X550SH</b>

Oval Head Slotted



Thread Size	Length Under Head	Bronze Part #
5/16"-18	5 1/2"	<b>OVHD031X550OH</b>
3/8"-16	5 1/2"	<b>OVHD037X550OH</b>
1/2"-13	5 1/2"	<b>OVHD050X550OH</b>
5/8"-11	5 1/2"	<b>OVHD062X550OH</b>

Hex Nuts

- lock nuts are available upon request



Thread Size	Bronze Part #
5/16"-18	<b>HEXNUT031</b>
3/8"-16	<b>HEXNUT375</b>
1/2"-13	<b>HEXNUT050</b>
5/8"-11	<b>HEXNUT625</b>

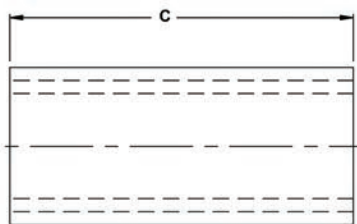
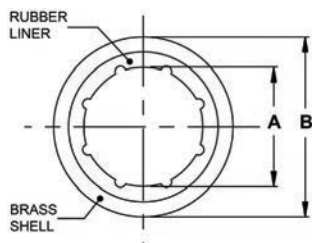
Flat Washers

- lock nuts are available upon request



Thread Size	Bronze Part #
5/16"	<b>FLATWASHER031</b>
3/8"	<b>FLATWASHER375</b>
1/2"	<b>FLATWASHER050</b>
5/8"	<b>FLATWASHER625</b>

Naval Brass Sleeve Bearings



Drivetrain

**Features:**

- for struts or stern tubes
- shaft bearings can be installed upon request
- for sizes not shown or for metric and flanged bearings please contact Hydrasearch at 410-643-7145

Dimensions			Weight lbs.	Duramax™ Part #	Trellex Morse™ Part #
I.D. (A)	O.D. (B)	Length (C)			
3/4"	1 1/4"	3"	0.50	<b>ABLE</b>	<b>ALBACORE</b>
7/8"	1 1/4"	3 1/2"	0.40	<b>ACID</b>	<b>BLHENNY</b>
	1 3/8"	3 1/2"	0.70	<b>APEX</b>	<b>BARRACUDA</b>
	1 1/2"	3 1/2"	0.80	<b>ATOM</b>	<b>BASS</b>
1"	1 1/4"	3"	0.40	<b>BACK</b>	<b>BETTA</b>
	1 1/4"	4"	0.60	<b>BADE</b>	<b>BLACKFISH</b>
	1 3/8"	4"	0.50	<b>BAIT</b>	<b>BLOATER</b>
	1 1/2"	4"	0.70	<b>BALE</b>	<b>BONITO</b>
	1 5/8"	4"	0.90	<b>BAND</b>	<b>BROADBILL</b>
	2"	4"	1.30	<b>BASE</b>	<b>BULLHEAD</b>
1 1/8"	1 1/2"	4 1/2"	0.60	<b>BEAM</b>	<b>CAMA</b>
	1 5/8"	4 1/2"	1.00	<b>BELT</b>	<b>CARP</b>
	1 3/4"	4 1/2"	1.10	<b>BEND</b>	<b>CATFISH</b>
	2"	4 1/2"	1.40	<b>BILL</b>	<b>CHOBIE</b>
1 1/4"	1 1/2"	5"	0.60	<b>BIND</b>	<b>CHOGSET</b>
	1 3/4"	5"	1.20	<b>BIRD</b>	<b>CHUB</b>
	2"	5"	1.50	<b>BITE</b>	<b>COD</b>
	2 1/8"	5"	1.70	<b>BLOW</b>	<b>CROAKER</b>
1 3/8"	1 7/8"	5 1/2"	1.40	<b>BOAT</b>	<b>DEVILFISH</b>
	2"	5 1/2"	1.50	<b>BOLD</b>	<b>DOGFISH</b>
	2 1/8"	5 1/2"	1.80	<b>BOND</b>	<b>DOLPHIN</b>
	2 3/8"	5 1/2"	1.80	<b>BOOT</b>	<b>EEL</b>
1 1/2"	2"	4 3/8"	1.50	<b>N/A</b>	<b>FLAMEN</b>
	2"	6"	1.60	<b>BOSS</b>	<b>FLATFISH</b>
	2 3/8"	6"	2.20	<b>BRAD</b>	<b>FLOUNDER</b>
1 5/8"	2 1/8"	6 1/2"	2.00	<b>BREW</b>	<b>GAR</b>
	2 5/8"	6 1/2"	2.60	<b>BRIM</b>	<b>GRAYBACK</b>
1 3/4"	2 3/8"	7"	2.30	<b>BROW</b>	<b>GROUPE</b>
	2 5/8"	7"	2.80	<b>BUCK</b>	<b>HADDO</b>
1 7/8"	2 5/8"	7 1/2"	2.80	<b>BULB</b>	<b>HAK</b>
	2 15/16"	7 1/2"	3.10	<b>BULL</b>	<b>HALIBUT</b>

Dimensions			Weight lbs.	Duramax™ Part #	Trellex Morse™ Part #
I.D. (A)	O.D. (B)	Length (C)			
2"	2 5/8"	8"	2.80	<b>CALL</b>	<b>HERRING</b>
	3"	8"	3.80	<b>CALM</b>	<b>KINGFISH</b>
2 1/8"	2 15/16"	8 1/2"	3.10	<b>CAME</b>	<b>MACKEREL</b>
	3 1/8"	8 1/2"	4.10	<b>CAPE</b>	<b>MANTA</b>
2 1/4"	2 15/16"	9"	3.10	<b>CARE</b>	<b>MARLIN</b>
	3 1/8"	9"	4.30	<b>CART</b>	<b>MINNOW</b>
2 3/8"	3 3/8"	9"	5.10	<b>CASE</b>	<b>MUDFISH</b>
	3 3/8"	9 1/2"	4.80	<b>COOK</b>	<b>MULLET</b>
2 1/2"	3 3/8"	10"	4.50	<b>CORD</b>	<b>MUSKY</b>
	3 3/8"	10"	5.10	<b>CORN</b>	<b>PERCH</b>
2 5/8"	3 3/8"	10 1/2"	5.20	<b>CRAB</b>	<b>PICKEREL</b>
2 3/4"	3 3/8"	11"	4.80	<b>CROW</b>	<b>PICUDA</b>
	3 3/4"	11"	6.60	<b>CURD</b>	<b>PINFISH</b>
2 7/8"	3 3/4"	11 1/2"	6.50	<b>CURE</b>	<b>PORGY</b>
3"	3 3/4"	12"	6.80	<b>DANE</b>	<b>RAY</b>
	4"	12"	7.70	<b>DARE</b>	<b>REDFIN</b>
3 1/8"	4 1/4"	12 1/2"	8.60	<b>DARK</b>	<b>REDFISH</b>
3 1/4"	4"	13"	7.80	<b>DARN</b>	<b>ROCKFISH</b>
	4 1/4"	13"	8.70	<b>DELL</b>	<b>SAILFISH</b>
3 3/8"	4 1/2"	13 1/2"	10.20	<b>DIKE</b>	<b>SALMON</b>
3 1/2"	4 1/4"	14"	8.90	<b>DINE</b>	<b>SANDFISH</b>
	4 1/2"	14"	10.30	<b>DOCK</b>	<b>SAWFISH</b>
3 5/8"	4 1/2"	14 1/2"	10.00	<b>DOLE</b>	<b>SCULPIN</b>
3 3/4"	4 1/2"	15"	9.60	<b>DONE</b>	<b>SHAD</b>
	5"	15"	16.50	<b>DOVE</b>	<b>SHARK</b>
	5 1/4"	15"	18.20	<b>DRAW</b>	<b>SILVERFISH</b>
3 7/8"	5 1/4"	15 1/2"	18.70	<b>DULL</b>	<b>SMELT</b>
4"	5"	16"	16.90	<b>EARN</b>	<b>SNAPPER</b>
	5 1/4"	16"	18.70	<b>EASE</b>	<b>SOCKEYE</b>

Oval Flange

Drivetrain



Features:

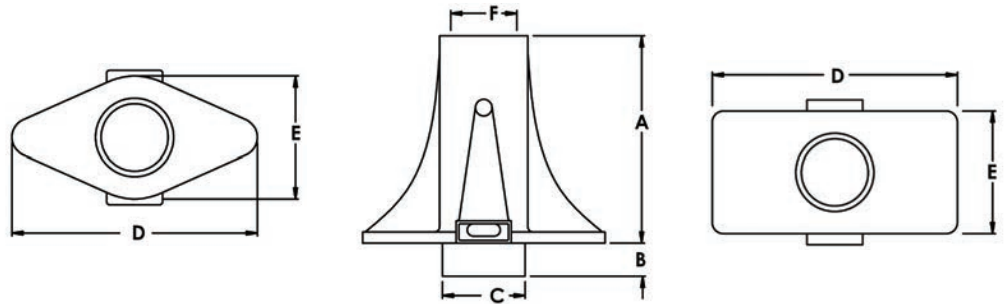
- all housings come bored (shaft bearings and flange holes can be installed upon request) to accept a shaft bearing and are internally threaded
- come complete with two setscrews

Shaft Size	Dimensions						NPSM Thread Size	Weight lbs.	Bronze Part #
	A	B	C	D	E	F			
7/8"	4"	1/2"	1 <sup>15</sup> / <sub>16</sub> "	7 <sup>3</sup> / <sub>4</sub> "	2 <sup>3</sup> / <sub>8</sub> "	1 <sup>1</sup> / <sub>2</sub> "	1 <sup>1</sup> / <sub>4</sub> "-11 <sup>1</sup> / <sub>2</sub> "	2.40	<b>00STBO88</b>
1"	4 <sup>9</sup> / <sub>16</sub> "	1/2"	2"	5"	2 <sup>3</sup> / <sub>8</sub> "	1 <sup>5</sup> / <sub>8</sub> "	1 <sup>1</sup> / <sub>4</sub> "-11 <sup>1</sup> / <sub>2</sub> "	3.50	<b>00STBO100</b>
1 <sup>1</sup> / <sub>8</sub> "	4 <sup>9</sup> / <sub>16</sub> "	1/2"	2"	5"	2 <sup>3</sup> / <sub>8</sub> "	1 <sup>5</sup> / <sub>8</sub> "	1 <sup>1</sup> / <sub>4</sub> "-11 <sup>1</sup> / <sub>2</sub> "	3.50	<b>00STBO113</b>
1 <sup>1</sup> / <sub>4</sub> "	5 <sup>5</sup> / <sub>8</sub> "	7/8"	2 <sup>3</sup> / <sub>8</sub> "	6"	3"	2"	1 <sup>1</sup> / <sub>2</sub> "-11 <sup>1</sup> / <sub>2</sub> "	5.00	<b>00STBO125</b>
1 <sup>3</sup> / <sub>8</sub> "	5 <sup>5</sup> / <sub>8</sub> "	7/8"	2 <sup>3</sup> / <sub>8</sub> "	6"	3"	2"	1 <sup>1</sup> / <sub>2</sub> "-11 <sup>1</sup> / <sub>2</sub> "	5.00	<b>00STBO138</b>
1 <sup>1</sup> / <sub>2</sub> "	5 <sup>5</sup> / <sub>8</sub> "	7/8"	2 <sup>3</sup> / <sub>8</sub> "	6"	3"	2"	1 <sup>1</sup> / <sub>2</sub> "-11 <sup>1</sup> / <sub>2</sub> "	5.00	<b>00STBO150</b>

Rectangular Flange

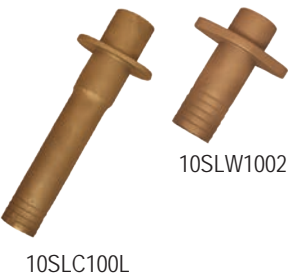
Features:

- all housings come bored (shaft bearings and flange holes can be installed upon request) to accept a shaft bearing and are internally threaded
- come complete with two setscrews



Shaft Size	Dimensions						NPSM Thread Size	Weight lbs.	Bronze Part #
	A	B	C	D	E	F			
1 <sup>3</sup> / <sub>8</sub> "	6 <sup>7</sup> / <sub>8</sub> "	1"	2 <sup>7</sup> / <sub>8</sub> "	7"	3 <sup>1</sup> / <sub>2</sub> "	2 <sup>3</sup> / <sub>8</sub> "	2"-11 <sup>1</sup> / <sub>2</sub> "	12.50	<b>00STBR138</b>
1 <sup>1</sup> / <sub>2</sub> "	6 <sup>7</sup> / <sub>8</sub> "	1"	2 <sup>7</sup> / <sub>8</sub> "	7"	3 <sup>1</sup> / <sub>2</sub> "	2 <sup>3</sup> / <sub>8</sub> "	2"-11 <sup>1</sup> / <sub>2</sub> "	12.50	<b>00STBR150</b>
1 <sup>3</sup> / <sub>4</sub> "	7 <sup>7</sup> / <sub>8</sub> "	1 <sup>1</sup> / <sub>8</sub> "	3 <sup>3</sup> / <sub>8</sub> "	8"	4"	2 <sup>5</sup> / <sub>8</sub> "	2 <sup>1</sup> / <sub>2</sub> "-8	17.00	<b>00STBR175</b>
2"	8 <sup>7</sup> / <sub>8</sub> "	1 <sup>1</sup> / <sub>4</sub> "	3 <sup>5</sup> / <sub>8</sub> "	9 <sup>1</sup> / <sub>4</sub> "	4 <sup>5</sup> / <sub>8</sub> "	3"	2 <sup>1</sup> / <sub>2</sub> "-8	22.00	<b>00STBR200</b>
2 <sup>1</sup> / <sub>4</sub> "	8 <sup>7</sup> / <sub>8</sub> "	1 <sup>1</sup> / <sub>4</sub> "	3 <sup>5</sup> / <sub>8</sub> "	9 <sup>1</sup> / <sub>4</sub> "	4 <sup>5</sup> / <sub>8</sub> "	3 <sup>1</sup> / <sub>8</sub> "	2 <sup>1</sup> / <sub>2</sub> "-8	22.00	<b>00STBR225</b>
2 <sup>1</sup> / <sub>2</sub> "	11"	1 <sup>5</sup> / <sub>8</sub> "	4 <sup>1</sup> / <sub>16</sub> "	11 <sup>1</sup> / <sub>2</sub> "	5 <sup>3</sup> / <sub>4</sub> "	3 <sup>3</sup> / <sub>8</sub> "	3"-8	31.50	<b>00STBR250</b>
2 <sup>3</sup> / <sub>4</sub> "	11"	1 <sup>5</sup> / <sub>8</sub> "	4"	11 <sup>1</sup> / <sub>2</sub> "	5 <sup>3</sup> / <sub>4</sub> "	3 <sup>3</sup> / <sub>8</sub> "	3"-8	31.50	<b>00STBR275</b>
3"	13"	2"	4 <sup>7</sup> / <sub>8</sub> "	14"	7"	3 <sup>3</sup> / <sub>4</sub> "	n/a	57.50	<b>00STBR300</b>

Sailboat Shaft Logs



Features:

- come bored (shaft bearings and flange holes can be installed upon request) to accept a shaft bearing
- come complete with two setscrews

Bore Size	Hose I.D.	Length Below Flange	Length Above Flange	Flange Dimension	Weight lbs.	Bronze Part #
1 <sup>1</sup> / <sub>2</sub> "	1 <sup>3</sup> / <sub>4</sub> "	9"	2"	2 <sup>1</sup> / <sub>2</sub> " x 4"	5.00	<b>10SLC100L</b>
1 <sup>1</sup> / <sub>2</sub> "	2"	4 <sup>5</sup> / <sub>8</sub> "	1 <sup>1</sup> / <sub>2</sub> "	2 <sup>7</sup> / <sub>8</sub> " x 5"	3.75	<b>10SLW1002</b>

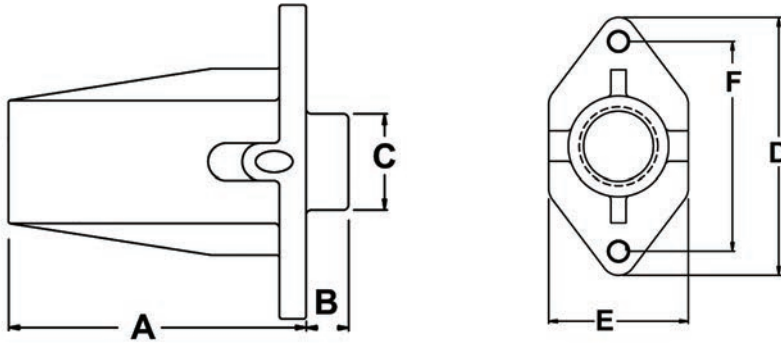


Albin Stern Bearing Housings

Oval Flange

Feature:

- all Albin stern castings come complete with a shaft bearing and two setscrews installed



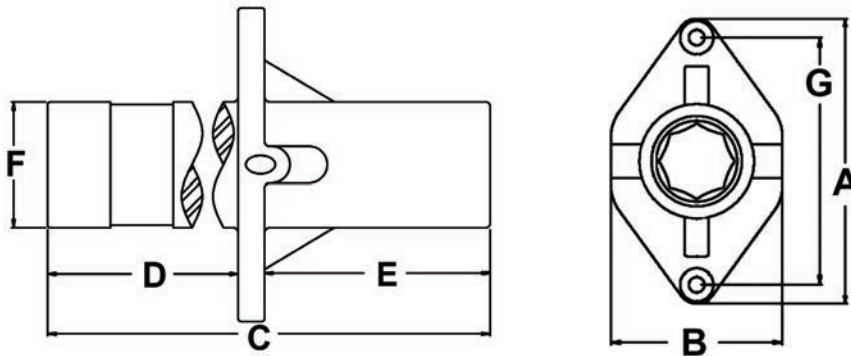
Shaft Size	Bore Size	Dimensions						Bolt Hole Size	Weight lbs.	Bronze Part #
		A	B	C	D	E	F			
1½"	2 <sup>5</sup> / <sub>8</sub> "	4½"	1"	2¼"	7 <sup>3</sup> / <sub>8</sub> "	3 <sup>5</sup> / <sub>8</sub> "	6"	½"	15.00	<b>M24034</b>

Note: 1¼" shaft size is available upon request

Oval Flange with Tube

Feature:

- all Albin stern castings come complete with a shaft bearing and two setscrews installed



Shaft Size	Bore Size	Dimensions							Bolt Hole Size	Weight lbs.	Bronze Part #
		A	B	C	D	E	F	G			
1¾"	2 <sup>5</sup> / <sub>8</sub> "	7½"	4½"	9"	4¾"	3 <sup>5</sup> / <sub>8</sub> "	3"	6½"	½"	11.00	<b>M24115</b>
1¾"	2 <sup>5</sup> / <sub>8</sub> "	7½"	4½"	18¾"	14"	3 <sup>5</sup> / <sub>8</sub> "	3"	6½"	½"	17.30	<b>M24127</b>
1¾"	2 <sup>5</sup> / <sub>8</sub> "	7½"	4½"	25¼"	21"	3 <sup>5</sup> / <sub>8</sub> "	3"	6½"	½"	26.00	<b>M24131</b>

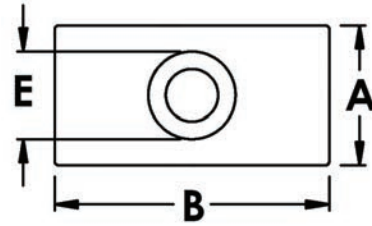
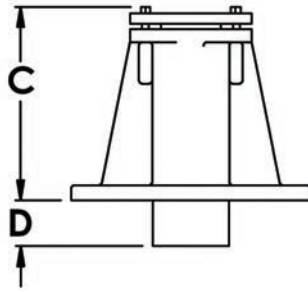
Note: 2" shaft size is available upon request

**TOURNAMENT** Rectangular Flange  
MARINE PRODUCTS

**Feature:**

- comes complete with a packing gland and two nuts for each stud

Drivetrain



Shaft Size	Packing Size	Dimensions					Weight lbs.	Bronze Part #
		A	B	C	D	E		
1½"	¼"	4"	8"	6 <sup>1</sup> / <sub>16</sub> "	1 <sup>5</sup> / <sub>8</sub> "	2 <sup>7</sup> / <sub>16</sub> "	14.00	<b>10224</b>
1¾"	⅜"	4 <sup>5</sup> / <sub>8</sub> "	9¼"	7 <sup>1</sup> / <sub>16</sub> "	1 <sup>7</sup> / <sub>8</sub> "	3 <sup>3</sup> / <sub>8</sub> "	18.70	<b>10228</b>
2"	⅜"	5¼"	10½"	7 <sup>13</sup> / <sub>16</sub> "	2 <sup>1</sup> / <sub>8</sub> "	3 <sup>5</sup> / <sub>16</sub> "	23.90	<b>10232</b>
2¼"	½"	6"	12"	8¾"	2 <sup>7</sup> / <sub>16</sub> "	3 <sup>5</sup> / <sub>16</sub> "	34.10	<b>10236</b>

**Replacement Packing Glands**

**Feature:**

- packing glands stud holes can be drilled upon request
- box studs come with two nuts per stud



packing glands



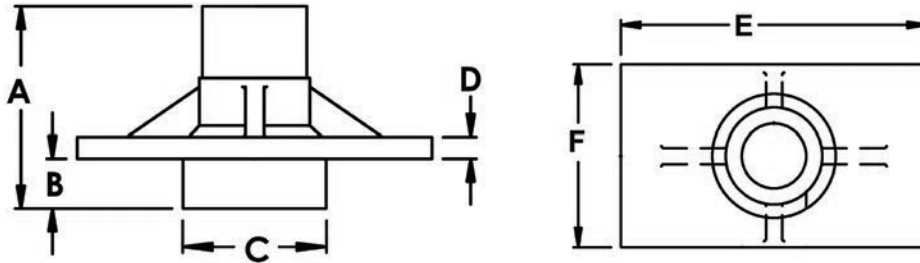
packing box studs

Used with Part #	Packing Glands Part #	Packing Box Studs Part #
10220	<b>10220G</b>	<b>STUDS</b>
10222	<b>10222G</b>	
10224	<b>10224G</b>	
10228	<b>10228G</b>	
10232	<b>10232G</b>	<b>STUDS62</b>
10236	<b>10236G</b>	
10240	<b>10240G</b>	

Stem Tube Packing Boxes

Features:

- all stem tube packing boxes are internally threaded
- come complete with lock nut and packing spud



Shaft Size	Bore Size	Dimensions						Bolt Hole Size	Weight lbs.	Bronze Part #
		A	B	C	D	E	F			
1 1/4"	1/4"	4 5/8"	1 9/16"	2 1/2"	5/16"	5 3/8"	3 1/2"	1 1/2" - 11 1/2"	5.75	<b>00STPB125</b>
1 3/8"	5/16"	4 5/8"	1 9/16"	2 1/2"	5/16"	5 3/8"	3 1/2"	1 1/2" - 11 1/2"	5.60	<b>00STPB138</b>
1 1/2"	1/4"	4"	1"	2 7/8"	1/2"	7 1/8"	4 1/4"	2" - 11 1/2"	7.60	<b>00STPB150</b>
1 3/4"	1/2"	5 1/2"	1"	3 3/8"	1/2"	8 1/2"	5 1/4"	2 1/2" - 8"	15.75	<b>00STPB175</b>
2"	3/8"	5 1/2"	1"	3 3/8"	1/2"	8 1/2"	5 1/4"	2 1/2" - 8"	14.10	<b>00STPB200</b>
2 1/4"	7/16"	5 3/4"	1"	3 3/8"	5/8"	8 1/2"	5 1/4"	2 1/2" - 8"	18.85	<b>00STPB225</b>
2 1/2"	5/16"	5 15/16"	1"	4 1/16"	5/8"	8 1/2"	5 1/4"	3" - 8"	18.00	<b>00STPB250</b>

Replacement Parts

Used with Part #	Packing Spuds Part #	Lock Nuts Part #
00STPB125	<b>00125PBS</b>	<b>00125PBN</b>
00STPB138	<b>00125PBS38</b>	<b>00125PBN</b>
00STPB150	<b>00150PBS</b>	<b>00138PBN</b>
00STPB175	<b>00175PBS</b>	<b>00175PBN</b>
00STPB200	<b>00200PBS</b>	<b>00175PBN</b>
00STPB225	<b>00225PBS</b>	<b>00225PBN</b>
00STPB250	<b>00250PBS</b>	<b>00225PBN</b>



Heavy Duty Self Aligning - Gland Type

Drivetrain



Features:

- complete with hose, four clamps, a packing gland and two nuts for each stud
- sold complete

Shaft Size	Hose I.D.	Overall Length	Packing Size	Weight lbs.	Bronze Part #
2"	3½"	14¾"	½"	22.00	<b>00PB200GH</b>
2¼"	3½"	14⅞"	⅜"	22.00	<b>00PB225GH</b>
2½"	3½"	14¾"	¼"	22.00	<b>00PB250GH</b>
2½"	4"	16¼"	¼"	25.00	<b>00PB250GHN</b>
2¾"	4"	17½"	½"	31.00	<b>00PB275GH</b>
3"	4"	17½"	⅜"	31.00	<b>00PB300GH</b>
3"	4½"	13"	⅜"	31.00	<b>00PB300GH45</b>

Replacement Packing Box Spuds

Features:

- complete with two nuts per stud
- sold in pairs

Used with Part #	Part #
00PB125G, 00PB138G, 00PB150G	<b>STUDS37</b>
00PB175G, 00PB200G, 00PB225G, 00PB250G	<b>STUDS</b>
00PB200GH, 00PB250GH, 00PB250GHN, 00PB225GH, 00PB275GH, 00PB300GH	<b>STUDS62</b>

Replacement Clamps



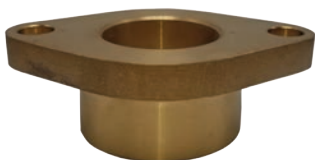
Used with Part #	Part #
00PB125G	<b>70HSS44C</b>
00PB138G & 00PB150G	<b>70STBC325</b>
00PB175G & 00PB200G	<b>70STBC375</b>
00PB225G, 00PB250G, 00PB200GH, 00PB225GH, 00PB250GH	<b>70STBC425</b>
00PB250GHN, 00PB275GH, 00PB300GH	<b>70STBC475</b>
00PB300GH45	<b>70STBC525</b>

Replacement Hoses



Used with Part #	Part #
00PB125G	<b>80HO225</b>
00PB138G & 00PB150G	<b>80HO250</b>
00PB175G & 00PB200G	<b>80HO300</b>
00PB225G, 00PB250G, 00PB200GH, 00PB250GH, 00PB225GH	<b>80HO350</b>
00PB250GHN, 00PB275GH, 00PB300GH	<b>80HO400</b>
00PB300GH45	<b>80HO450</b>

Replacement Glands<sup>1</sup>



Used with Part #	Part #
00PB125G	<b>00PB125GG</b>
00PB138G	<b>00PB138GG</b>
00PB150G	<b>00PB150GG</b>
00PB175G	<b>00PB175GG</b>
00PB200G	<b>00PB200GG</b>
00PB225G	<b>00PB225GG</b>
00PB250G	<b>00PB250GG</b>
00PB200GH	<b>00PB200GHG</b>
00PB225GH	<b>00PB225GHG</b>
00PB250GH, 00PB250GHN	<b>00PB250GHG</b>
00PB275GH	<b>00275PBGGH</b>
00PB300GH, 00PB300GH45	<b>00PB300GFG</b>

<sup>1</sup> stud holes can be drilled upon request

Self Aligning - Gland Type

Features:

- complete with hose, four clamps, a packing gland and two nuts for each stud
- sold complete



Shaft Size	Hose I.D.	Overall Length	Packing Size	Weight lbs.	Bronze Part #
1¼"	2"	7 <sup>9</sup> / <sub>16</sub> "	3 <sup>3</sup> / <sub>16</sub> "	3.00	<b>00PBS125G</b>
1⅜"	2⅝"	8 <sup>5</sup> / <sub>16</sub> "	1¼"	4.00	<b>00PBS138G</b>
1½"	2⅝"	8 <sup>5</sup> / <sub>16</sub> "	5 <sup>5</sup> / <sub>16</sub> "	4.00	<b>00PBS150G</b>

Replacement Packing Glands

Feature:

- stud holes can be drilled upon

Used with Part #	Part #
00PBS125G	<b>SIPB125GLD</b>
00PBS138G	<b>SIPB138GLD</b>
00PBS150G	<b>SIPB150GLD</b>

Replacement Clamps

Used with Part #	Part #
00PBS125G	<b>70STBC256</b>
00PBS138G, 00PBS150G	<b>70STBC312</b>

Replacement Packing Box Studs

Features:

- complete with two nuts per stud
- sold in pairs

Used with Part #	Part #
00PBS125G, 00PBS138G, 00PBS150G	<b>STUDS37</b>

Replacement Hose

Used with Part #	Part #
00PBS125G	<b>SIPB125HOS</b>
00PBS138G, 00PBS150G	<b>SIPB138HOS</b>



Studs

Features:

- complete with two nuts per stud
- sold in pairs

Thread Size	Overall Length	Weight lbs.	Part #
3⁄8"-16	3"	0.20	<b>STUDS37</b>
1⁄2"-13	3½"	0.35	<b>STUDS</b>
5⁄8"-11	5"	0.80	<b>STUDS62</b>







**TOURNAMENT MARINE PRODUCTS** Self Aligning - Gland Type

**Features:**

- complete with hose, four clamps, a packing gland and two nuts for each stud
- sold complete

Shaft Size	Hose I.D.	Overall Length	Packing Size	Weight lbs.	Bronze Part #
1 3/4"	3 1/2"	11 5/8"	3/8"	8.80	<b>1553</b>
2"	3 1/2"	11 5/8"	1/4"	8.80	<b>1554</b>

**Replacement Packing Glands**

**Feature:**

- stud holes can be drilled upon

Used with Part #	Part #
1553	<b>1553G</b>
1554	<b>1554G</b>

**Replacement Clamps**

Used with Part #	Part #
1553, 1554	<b>70STBC425</b>

**Replacement Packing Box Studs**

**Features:**

- complete with two nuts per stud
- sold in pairs

Used with Part #	Part #
1553, 1554	<b>STUDS</b>

**Replacement Hose**

Used with Part #	Part #
1553, 1554	<b>80HO350</b>

Self Aligning - Gland Type



**Features:**

- complete with hose, four clamps, a packing gland and two nuts for each stud
- sold complete

Shaft Size	Hose I.D.	Overall Length	Packing Size	Weight lbs.	Bronze Part #
1 1/4"	2 1/4"	8 7/8"	1/4"	4.00	<b>00PB125G</b>
1 3/8"	2 1/2"	9 3/8"	3/8"	4.00	<b>00PB138G</b>
1 1/2"	2 1/2"	9 3/8"	1/4"	4.00	<b>00PB150G</b>
1 3/4"	3"	11 3/8"	3/8"	8.50	<b>00PB175G</b>
2"	3"	11 3/8"	1/4"	8.50	<b>00PB200G</b>
2 1/4"	3 1/2"	11 1/2"	3/8"	11.00	<b>00PB225G</b>
2 1/2"	3 1/2"	11 1/2"	1/4"	11.00	<b>00PB250G</b>



Water Cooled - Self Aligning - Spud Type

Features:

- complete with hose, four clamps, hose adapter, packing nut and lock nut
- sold complete

Shaft Size	Hose I.D.	Water Injection	Overall Length	Packing Size	Weight lbs.	Bronze Part #
1 3/8"	2 1/4"	1/2"	9 1/2"	7/16"	15.50	<b>8413225</b>
1 3/8"	2 1/2"	1/2"	10"	7/16"	15.75	<b>8413250</b>
1 3/8"	3"	1/2"	10 1/2"	7/16"	16.00	<b>8413300</b>
1 1/2"	2 1/4"	1/2"	9 1/2"	3/8"	15.25	<b>8415225</b>
1 1/2"	2 1/2"	1/2"	10"	3/8"	15.50	<b>8415250</b>
1 1/2"	3"	1/2"	10 1/2"	3/8"	15.75	<b>8415300</b>
1 3/4"	3"	1/2"	11 7/16"	1/2"	15.50	<b>8417300</b>
1 3/4"	3 1/2"	1/2"	11 7/16"	1/2"	27.00	<b>8417350</b>
2"	3"	1/2"	11 3/8"	3/8"	15.25	<b>8420300</b>
2"	3 1/2"	1/2"	11 7/16"	3/8"	26.50	<b>8420350</b>
2 1/4"	4"	1/2"	13 5/8"	7/16"	30.00	<b>8422400</b>
2 1/2"	4"	1/2"	13 5/8"	5/16"	28.00	<b>8425400</b>



8415250

Replacement Packing Spuds

Used with Part #	Part #
8413225, 8413250, 8413300	<b>82138S</b>
8415225, 8415250, 8415300	<b>82150S</b>
8417300, 8417350	<b>82175S</b>
8420300, 8420350	<b>82200S</b>
8422400	<b>8422400S</b>
8425400	<b>842250S</b>



Replacement Lock Nuts

Used with Part #	Part #
8413225, 8413250, 8413300, 8415225, 8415250, 8415300	<b>82138N</b>
8417300, 8417350, 8420300, 8420350	<b>00175PBN</b>
8422400, 8425400	<b>00225PBN</b>
8430450	<b>00300PBN</b>



Replacement Clamps

Used with Part #	Part #
8413225, 8415225	<b>70STBC300</b>
8413250, 8415250	<b>70STBC325</b>
8413300, 8415300, 8417300, 8420300	<b>70STBC375</b>
8417350, 8420350	<b>70STBC425</b>
8422400, 8425400	<b>70STBC475</b>
8430450	<b>70STBC532L</b>



Replacement Hose Adapter

Used with Part #	Part #
all of the above	<b>00BN43</b>



Replacement Hoses

Used with Part #	Part #
8413225, 8415225	<b>80HO225</b>
8413250, 8415250	<b>80HO250</b>
8413300, 8415300, 8417300, 8420300	<b>80HO300</b>
8417350, 8420350	<b>80HO350</b>
8422400, 8425400	<b>80HO400</b>
8430450	<b>80HO450</b>



Self Aligning - Spud Type - Right Hand Thread

Replacement Hoses

Drivetrain



Used with Part #	Part #
00PB75, 00PB100X	<b>80HO150</b>
00PB88, 00PB100, 00PB113, 00PB125175, 00PB113LH	<b>80HO175</b>
00PB100FG, 00PB113FG, 00PB125FG	<b>80HO200</b>
00PB100225, 00PB113H, 00PB125, 00PB15225, 00PB125LH	<b>80HO225</b>
00PB138, 00PB150, JPB175, 00PB150LH	<b>80HO250</b>
00PB175, 00PB200, 00PB175LH, 00PB200LH	<b>80HO300</b>
00PB175L, 00PB200L, 00PB225, 00PB250, 00PB225LH, 00PB250LH	<b>80HO350</b>
00PB300	<b>80HO450</b>

Replacement Lock Nuts



Used with Part #	Part #
00PB75, 00PB88, 00PB100X, 00PB100, 00PB100FG, 00PB100225, 00PB113, 00PB113FG, 00PB113H	<b>00100PBN</b>
00PB125175, 00PB125FG & 00PB125	<b>00125PBN</b>
00PB138, 00PB15225 & 00PB150	<b>00138PBN</b>
JPB175	<b>00175PBNOY</b>
00PB175, 00PB175L, 00PB200 & 00PB200L	<b>00175PBN</b>
00PB225 & 00PB250	<b>00225PBN</b>
00PB300	<b>00300PBN</b>
00PB113LH	<b>3059PBN</b>
00PB125LH	<b>00125PBNL</b>
00PB150LH	<b>00150PBNLH</b>
00PB175LH & 00PB200LH	<b>00175PBNLH</b>
00PB225LH & 00PB250LH	<b>00225PBNLH</b>

Replacement Clamps



worm gear



T-Bolt

Used with Part #	Worm Gear Part #	T-Bolt Part #
00PB75 & 00PB100X	<b>70HSS32</b>	<b>70STBC225</b>
00PB88, 00PB100, 00PB113, 00PB125175, 00PB113LH	<b>70HSS36</b>	<b>70STBC238</b>
00PB100FG, 00PB113FG, 00PB125FG	<b>70HSS40</b>	<b>70STBC275</b>
00PB100225, 00PB113H, 00PB125, 00PB15225, 00PB125LH	<b>70HSS44</b>	<b>70STBC300</b>
00PB138, 00PB150, JPB175, 00PB150LH	<b>70HSS48</b>	<b>70STBC325</b>
00PB175, 00PB200, 00PB175LH, 00PB200LH	<b>70HSS56</b>	<b>70STBC375</b>
00PB175L, 00PB200L, 00PB225, 00PB250, 00PB225LH, 00PB250LH	<b>70HSS72</b>	<b>70STBC425</b>
00PB300	<b>70HSS88</b>	<b>70STBC532L</b>

Self Aligning - Spud Type - Right Hand Thread

Features:

- complete with hose, four stainless steel clamps, packing nut and lock nut
- sold complete

Shaft Size	Hose I.D.	Overall Length	Packing Size	Weight lbs.	Bronze Part #
3/4"	1 1/2"	6 1/8"	3/8"	1.75	00PB75
7/8"	1 3/4"	6 3/4"	5/16"	1.75	00PB88
1"	1 1/2"	6 1/8"	1/4"	1.75	00PB100X
1"	1 3/4"	6 3/8"	1/4"	1.75	00PB100
1"	2"	6 1/4"	1/4"	1.90	00PB100FG
1"	2 1/4"	6 5/8"	1/4"	2.30	00PB100225
1 1/8"	1 3/4"	6 9/32"	3/16"	1.75	00PB113
1 1/8"	2"	6 1/4"	3/16"	1.90	00PB113FG
1 1/8"	2 1/4"	7 5/32"	3/16"	2.80	00PB113H
1 1/4"	1 3/4"	7 13/32"	1/4"	2.75	00PB125175
1 1/4"	2"	2 21/32"	1/4"	2.30	00PB125FG
1 1/4"	2 1/4"	7 5/32"	1/4"	2.85	00PB125
1 3/8"	2 1/2"	7 5/8"	5/16"	3.35	00PB138
1 1/2"	2 1/4"	7 5/8"	1/4"	3.80	00PB15225
1 1/2"	2 1/2"	7 5/8"	1/4"	3.35	00PB150
1 3/4"	2 1/2"	7 3/4"	5/16"	5.70	JPB175
1 3/4"	3"	8 1/8"	1/2"	8.00	00PB175
1 3/4"	3 1/2"	8 1/8"	1/2"	9.00	00PB175L
2"	3"	8 1/8"	3/8"	8.00	00PB200
2"	3 1/2"	8 1/8"	3/8"	9.00	00PB200L
2 1/4"	3 1/2"	9 1/16"	7/16"	12.00	00PB225
2 1/4"	3 1/2"	9 1/16"	5/16"	12.00	00PB250
3"	4 1/2"	9 15/16"	9/16"	30.00	00PB300



Replacement Packing Spuds

Used with Part #	Part #
00PB75	0075PBS
00PB88	0088PBS
00PB100X, 00PB100, 00PB100FG, 00PB100225	00100PBS
00PB113, 00PB113FG & 00PB113H	00113PBS
00PB125175, 00PB125FG, & 00PB125	00125PBS
00PB138	00138PBS
00PB15225, 00PB150	00150PBS
JBPB175	00175PBSOY
00PB175 & 00PB175L	00175PBS
00PB200, 00PB200L	00200PBS
00PB225	00225PBS
00PB250	00250PBS
00PB300	00300PBS



See next page for more replacement parts.

Thru Hull Style

Complete Assembly

Drivetrain



Features:

- complete with spud style packing boxes (packing boxes available separately on page 35) and lock
- sold complete

Shaft Size	Hose I.D.	Water Injection	Overall Length	Packing Size	Weight lbs.	Bronze Part #
1"	1/4"	2"	8 <sup>3</sup> / <sub>16</sub> "	1 <sup>3</sup> / <sub>4</sub> "	3.70	00SL100FG
1 <sup>1</sup> / <sub>8</sub> "	3/16"	2"	8 <sup>3</sup> / <sub>16</sub> "	1 <sup>3</sup> / <sub>4</sub> "	3.70	00SL113FG
1 <sup>1</sup> / <sub>4</sub> "	1/4"	2"	8 <sup>15</sup> / <sub>16</sub> "	1 <sup>3</sup> / <sub>4</sub> "	4.80	00SL125FG
1 <sup>3</sup> / <sub>8</sub> "	5/16"	2 <sup>1</sup> / <sub>2</sub> "	10 <sup>3</sup> / <sub>8</sub> "	2"	7.40	00SL138FG
1 <sup>1</sup> / <sub>2</sub> "	1/4"	2 <sup>1</sup> / <sub>2</sub> "	10 <sup>3</sup> / <sub>8</sub> "	2"	7.40	00SL150FG
1 <sup>3</sup> / <sub>4</sub> "	1/2"	3"	11 <sup>1</sup> / <sub>4</sub> "	2 <sup>3</sup> / <sub>8</sub> "	18.00	00SL175FG
2"	3/8"	3"	11 <sup>1</sup> / <sub>4</sub> "	2 <sup>3</sup> / <sub>8</sub> "	18.00	00SL200FG
2 <sup>1</sup> / <sub>4</sub> "	7/16"	3 <sup>1</sup> / <sub>2</sub> "	12 <sup>1</sup> / <sub>4</sub> "	2 <sup>1</sup> / <sub>2</sub> "	21.00	00SL225FG
2 <sup>1</sup> / <sub>2</sub> "	5/16"	3 <sup>1</sup> / <sub>2</sub> "	12 <sup>1</sup> / <sub>4</sub> "	2 <sup>1</sup> / <sub>2</sub> "	21.00	00SL250FG
2 <sup>3</sup> / <sub>4</sub> "	1/2"	4"	15 <sup>1</sup> / <sub>4</sub> "	2 <sup>9</sup> / <sub>16</sub> "	45.00	00SL275FG
3"	3/8"	4"	16"	2 <sup>9</sup> / <sub>16</sub> "	45.00	00SL300FG

Log Only

Features:

- complete with lock nuts
- sold complete



Shaft Size	Hose I.D.	Threaded O.D.	Water Injection	Dimensions		Overall Length	Packing Size	Weight lbs.	Bronze Part #
				A	B				
1"	2"	2.181"	3 <sup>1</sup> / <sub>4</sub> "	1 <sup>1</sup> / <sub>2</sub> "	2"	3 <sup>1</sup> / <sub>4</sub> "	1 <sup>3</sup> / <sub>4</sub> "	2.50	00SLL100FG
1 <sup>1</sup> / <sub>8</sub> "	2"	2.181"	3 <sup>1</sup> / <sub>4</sub> "	1 <sup>1</sup> / <sub>2</sub> "	2"	3 <sup>1</sup> / <sub>4</sub> "	1 <sup>3</sup> / <sub>4</sub> "	2.50	00SLL113FG
1 <sup>1</sup> / <sub>4</sub> "	2"	2.181"	3 <sup>1</sup> / <sub>4</sub> "	1 <sup>1</sup> / <sub>2</sub> "	2"	3 <sup>1</sup> / <sub>4</sub> "	1 <sup>3</sup> / <sub>4</sub> "	2.50	00SLL125FG
1 <sup>3</sup> / <sub>8</sub> "	2 <sup>1</sup> / <sub>2</sub> "	3"	4"	2 <sup>1</sup> / <sub>4</sub> "	2 <sup>3</sup> / <sub>4</sub> "	4 <sup>3</sup> / <sub>8</sub> "	2"	5.00	00SLL138FG
1 <sup>1</sup> / <sub>2</sub> "	2 <sup>1</sup> / <sub>2</sub> "	3"	4"	2 <sup>1</sup> / <sub>4</sub> "	2 <sup>3</sup> / <sub>4</sub> "	4 <sup>3</sup> / <sub>8</sub> "	2"	5.00	00SLL150FG
1 <sup>3</sup> / <sub>4</sub> "	3"	3.625"	4 <sup>3</sup> / <sub>4</sub> "	3"	3"	5 <sup>1</sup> / <sub>2</sub> "	2 <sup>3</sup> / <sub>8</sub> "	8.60	00SLL175FG
2"	3"	3.625"	4 <sup>3</sup> / <sub>4</sub> "	3"	3"	5 <sup>1</sup> / <sub>2</sub> "	2 <sup>3</sup> / <sub>8</sub> "	8.60	00SLL200FG
2 <sup>1</sup> / <sub>4</sub> "	3 <sup>1</sup> / <sub>2</sub> "	3.990"	5 <sup>1</sup> / <sub>2</sub> "	3"	3 <sup>1</sup> / <sub>16</sub> "	5 <sup>1</sup> / <sub>2</sub> "	2 <sup>1</sup> / <sub>2</sub> "	10.40	00SLL225FG
2 <sup>1</sup> / <sub>2</sub> "	3 <sup>1</sup> / <sub>2</sub> "	3.990"	5 <sup>1</sup> / <sub>2</sub> "	3"	3 <sup>1</sup> / <sub>16</sub> "	5 <sup>1</sup> / <sub>2</sub> "	2 <sup>1</sup> / <sub>2</sub> "	10.40	00SLL250FG
2 <sup>3</sup> / <sub>4</sub> "	4"	4.459"	5 <sup>3</sup> / <sub>4</sub> "	2 <sup>1</sup> / <sub>2</sub> "	3 <sup>1</sup> / <sub>4</sub> "	5 <sup>1</sup> / <sub>4</sub> "	2 <sup>9</sup> / <sub>16</sub> "	13.00	00SLL275FG
3"	4"	4.459"	5 <sup>3</sup> / <sub>4</sub> "	2 <sup>1</sup> / <sub>2</sub> "	3 <sup>1</sup> / <sub>4</sub> "	5 <sup>1</sup> / <sub>4</sub> "	2 <sup>9</sup> / <sub>16</sub> "	13.00	00SLL300FG
3 <sup>1</sup> / <sub>2</sub> "	4 <sup>1</sup> / <sub>2</sub> "	4.878"	6"	2 <sup>1</sup> / <sub>2</sub> "	3 <sup>5</sup> / <sub>16</sub> "	5 <sup>1</sup> / <sub>4</sub> "	2 <sup>3</sup> / <sub>4</sub> "	17.00	00SLL450FG

## Offset Style Complete Assembly

**Features:**

- complete with spud style packing box
- sold complete
- baseholes can be installed upon request

Shaft Size	Packing Size	Angle Degree	Overall Length	Base Width	Base Length	Hose I.D.	Weight lbs.	Bronze Part #
1"	¼"	15°	13½"	4⅞"	10¾"	1¾"	6.00	<b>00SLO100</b>
1"	¼"	14°	13½"	5½"	11½"	2"	7.00	<b>00SLO100L4</b>
1⅛"	⅜"	15°	13½"	4⅞"	10¾"	1¾"	6.00	<b>00SLO113<sup>1</sup></b>
1¼"	¼"	14°	21"	5½"	20¼"	2¼"	14.00	<b>00SLO12514<sup>1</sup></b>
1¼"	¼"	17°	15"	5½"	15"	2¼"	10.00	<b>00SLO125LT<sup>1</sup></b>
1¼"	¼"	14°	14"	5½"	11½"	2"	7.50	<b>00SLO125L4</b>
1⅜"	⅜"	12°	22"	7"	22⅜"	2½"	15.00	<b>00SLO138</b>
1½"	¼"	12°	22"	7"	22⅜"	2½"	15.00	<b>00SLO150<sup>1</sup></b>
1½"	¼"	14°	14½"	5½"	11½"	2¼"	8.50	<b>00SLO150L4</b>



<sup>1</sup> packing boxes available separately on page 35

## Log Only

**Feature:**

- baseholes can be installed upon request

Shaft Size	Angle Degree	Base Width	Base Length	Hose I.D.	Weight lbs.	Bronze Part #
1"	15°	4⅞"	10¾"	1¾"	6.00	<b>00SLOL100</b>
1"	14°	5½"	11½"	2"	7.00	<b>00SLOL10L4</b>
1⅛"	15°	4⅞"	10¾"	1¾"	6.00	<b>00SLOL113</b>
1¼"	14°	5½"	20¼"	2¼"	14.00	<b>00SLOL1254</b>
1¼"	17°	5½"	15"	2¼"	10.00	<b>00SLOL125L</b>
1¼"	14°	5½"	11½"	2"	7.50	<b>00SLOL12L4</b>
1⅜"	12°	7"	22⅜"	2½"	15.00	<b>00SLOL138</b>
1½"	12°	7"	22⅜"	2½"	15.00	<b>00SLOL150</b>
1½"	14°	5½"	11½"	2¼"	8.50	<b>00SLOL15L4</b>





Angled Style

Complete Assembly

Drivetrain



Features:

- complete with spud style packing box
- baseholes can be installed upon request

Shaft Size	Packing Size	Angle Degree	Overall Length	Base Width	Base Length	Hose I.D.	Weight lbs.	Bronze Part #
1"	1/4"	12°	17"	3"	11"	1 1/2"	4.70	00SL100X
1"	1/4"	13°	19 1/2"	3 1/2"	12 1/2"	1 3/4"	7.00	00SL100
1 1/8"	3/16"	13°	19 1/2"	3 1/2"	12 1/2"	1 3/4"	7.00	00SL113 <sup>1</sup>
1 1/8"	3/16"	12°	21"	4 1/4"	14"	2 1/4"	10.30	00SL113H
1 1/4"	1/4"	12°	28"	4 1/2"	20 1/2"	2 1/4"	15.20	00SL125 <sup>1</sup>
1 3/8"	1/4"	12°	32"	5 1/4"	24"	2 1/2"	17.75	00SL138
1 3/8"	3/16"	8°	36"	5 1/4"	28 1/2"	2 1/2"	21.00	00SL138L
1 1/2"	1/4"	12°	32"	5 1/4"	24"	2 1/2"	17.75	00SL150 <sup>1</sup>
1 1/2"	1/4"	8°	36"	5 1/4"	28 1/2"	2 1/2"	21.00	00SL150L <sup>1</sup>
1 3/4"	1/2"	9°	41 1/2"	7"	32 1/2"	3"	31.50	00SL175 <sup>1</sup>
1 3/4"	1/2"	7°	55"	7 1/2"	46 1/4"	3 1/2"	48.00	00SL175L
2"	3/8"	9°	41 1/2"	7"	32 1/2"	3"	31.50	00SL200 <sup>1</sup>
2"	3/8"	7°	55"	7 1/2"	46 1/4"	3 1/2"	48.00	00SL200L
2 1/4"	7/16"	7°	56"	7 1/2"	46 1/4"	3 1/2"	51.00	00SL225 <sup>1</sup>
2 1/2"	5/16"	7°	56"	7 1/2"	46 1/4"	3 1/2"	51.00	00SL250 <sup>1</sup>

<sup>1</sup> packing boxes available separately on page 35

Log Only

Feature:

- baseholes can be installed upon request



Shaft Size	Angle Degree	Base Width	Base Length	Hose I.D.	Weight lbs.	Bronze Part #
1"	12°	3"	11"	1 1/2"	3.00	00SLL100X
1"	13°	3 1/2"	12 1/2"	1 3/4"	4.50	00SLL100
1 1/8"	12°	4 1/4"	14"	2 1/4"	7.60	00SLL113H
1 1/4"	12°	4 1/2"	20 1/2"	2 1/4"	9.50	00SLL125
1 3/8"	12°	5 1/4"	24"	2 1/2"	15.00	00SLL138
1 1/2"	12°	5 1/4"	24"	2 1/2"	15.00	00SLL150
1 1/2"	8°	5 1/4"	28 1/2"	2 1/2"	16.00	00SLL150L
1 1/2"	12°	5 1/4"	24"	3"	15.00	00SLL150300
1 3/4"	9°	7"	32 1/2"	3"	25.50	00SLL175
1 3/4"	7°	7 1/2"	46 1/4"	3 1/2"	39.00	00SLL175L
2"	9°	7"	32 1/2"	3"	25.50	00SLL200
2 1/4"	7°	7 1/2"	46 1/4"	3 1/2"	39.00	00SLL225
2 1/2"	7°	7 1/2"	46 1/4"	3 1/2"	39.00	00SLL250

## Oval Base

## Complete Assembly

## Features:

- complete with spud style packing box
- sold complete
- baseholes can be installed upon request

Shaft Size	Packing Size	Overall Length	Base Width	Base Length	Hose I.D.	Weight lbs.	Bronze Part #
1"	1/4"	7 3/8"	3"	5 3/4"	1 3/4"	4.15	00SL100A
1 1/8"	3/16"	7 3/8"	3"	5 3/4"	1 3/4"	4.10	00SL113A <sup>1</sup>
1 1/4"	1/4"	8 1/2"	3"	6 1/2"	2 1/4"	5.20	00SL125A <sup>1</sup>

<sup>1</sup> packing boxes available separately on page 35



## Log Only

## Feature:

- baseholes can be installed upon request

Shaft Size	Base Width	Base Length	Hose I.D.	Weight lbs.	Bronze Part #
1"	3"	5 3/4"	1 3/4"	2.00	00SLL100A
1 1/8"	3"	5 3/4"	1 3/4"	2.00	00SLL113A
1 1/4"	3"	6 1/2"	2 1/4"	2.90	00SLL125A



## Rectangular Base

## Complete Assembly

## Features:

- complete with spud style packing box
- sold complete
- baseholes can be installed upon request

Shaft Size	Packing Size	Overall Length	Base Width	Base Length	Hose I.D.	Weight lbs.	Bronze Part #
1 1/4"	1/4"	8 9/16"	4"	6"	2 1/4"	10.00	00SLR125 <sup>1</sup>
1 3/8"	3/16"	10"	4 1/2"	7"	2 1/2"	11.00	00SLR138
1 1/2"	1/4"	10"	4 1/2"	7"	2 1/2"	11.00	00SLR150 <sup>1</sup>
1 3/4"	1/2"	10 5/8"	6"	8 1/4"	3"	16.00	00SLR175 <sup>1</sup>
2"	3/8"	10 5/8"	6"	8 1/4"	3"	16.00	00SLR200 <sup>1</sup>
2 1/4"	7/16"	11 5/8"	6"	10"	3 1/2"	24.00	00SLR225 <sup>1</sup>
2 1/2"	5/16"	11 5/8"	6"	10"	3 1/2"	24.00	00SLR250 <sup>1</sup>

<sup>1</sup> packing boxes available separately on page 35



## Log Only

## Feature:

- baseholes can be installed upon request

Shaft Size	Base Width	Base Length	Hose I.D.	Weight lbs.	Bronze Part #
1 1/4"	4"	6"	2 1/4"	10.00	00SLRL125
1 3/8"	4 1/2"	7"	2 1/2"	11.00	00SLRL138
1 1/2"	4 1/2"	7"	2 1/2"	11.00	00SLRL150
1 3/4"	6"	8 1/4"	3"	16.00	00SLRL175
2"	6"	8 1/4"	3"	16.00	00SLRL200
2 1/4"	6"	10"	3 1/2"	24.00	00SLRL225
2 1/2"	6"	10"	3 1/2"	24.00	00SLRL250



Square Base

Complete Assembly

Drivetrain



Features:

- complete with packing box (packing boxes available separately on page ??) and backing plate
- sold complete

Shaft Size	Packing Size	Base Size	Overall Length	Hose I.D.	Base Hole C to C	Base Hole Size C.S.	Weight lbs.	Bronze Part #
1¼"	3/16"	3 1/16" sq.	9¾"	2"	2 3/8"	¼"	5.00	00SLS125G
1 3/8"	¼"	4 5/8" sq.	10"	2 5/8"	3 1/8"	½"	9.00	00SLS138G
1½"	5/16"	4 5/8" sq.	10"	2 5/8"	3 1/8"	½"	9.00	00SLS150G

Log Only



Features:

- complete with backing plate
- sold complete

Shaft Size	Base Size	Hose I.D.	Base Hole C to C	Base Hole Size C.S.	Weight lbs.	Bronze Part #
1¼"	3 1/16" sq.	2"	2 3/8"	¼"	2.00	00SLLR125G
1 3/8"	4 5/8" sq.	2 5/8"	3 1/8"	½"	5.00	00SLLR138G
1½"	4 5/8" sq.	2 5/8"	3 1/8"	½"	5.00	00SLLR150G

Triangular Base



Features:

- complete with backing plate
- sold complete

Shaft Size	Hose I.D.	Bolt Hole Circle	Weight lbs.	Bronze Part #
1¼"	2¼"	3¾"	2.70	13009
1 3/8"	2½"	3¾"	2.30	13012
1½"	3"	5"	3.35	13673

Ski Boat Fins



10SKI1



10SKI2

Overall Height	Base Width	Base Length	C.S. Screw Size	Weight lbs.	Bronze Part #
6 7/8"	3½"	6 3/8"	3/8"	4.85	10SKI1
6 1/8"	2 5/8"	6 1/8"	#12	4.50	10SKI2

### Flax Packing

**Features:**

- braided flax fiber that has been thoroughly lubricated with tallow and wax
- square braid construction
- sold in 1 lb. rolls

Packing Size	Feet per Roll	Weight lbs.	Bronze Part #
1/8"	100'	1.00	<b>FLAX125LB</b>
3/16"	50'	1.00	<b>FLAX1875LB</b>
1/4"	28'	1.00	<b>FLAX250LB</b>
5/16"	18'	1.00	<b>FLAX3125LB</b>
3/8"	7'	1.00	<b>FLAX375LB</b>
7/16"	7'	1.00	<b>FLAX4375LB</b>
1/2"	7'	1.00	<b>FLAX500LB</b>
5/8"	4'	1.00	<b>FLAX625LB</b>



### Dripless Moldable Packing

**Feature:**

- sold as a kit

Shaft Size	Weight lbs.	Bronze Part #
up to 1 1/4"	0.25	<b>SEAL150</b>
up to 3"	0.40	<b>SEAL300</b>

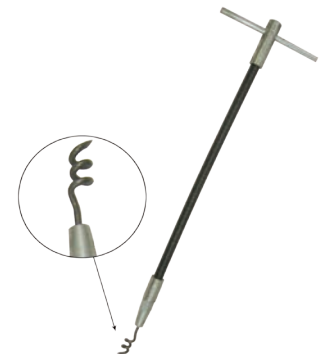


### Packing Extractors

**Feature:**

- flexible handle, t-grip and cork screw tip

Overall Length	Weight lbs.	Bronze Part #
6 1/4"	0.05	<b>PE625</b>
7 1/4"	0.10	<b>PE725</b>
12"	0.20	<b>PE1200</b>
15"	0.50	<b>PE1550</b>



### Wrenches

**Feature:**

- designed specifically for Hydrasearch packing boxes

Opening Size	Overall Length	Weight lbs.	Zinc Plated Iron Part #
2"	9"	1.30	<b>3BPBW100</b>
2 5/16"	9 1/4"	1.50	<b>3BPBW125</b>
2 9/16"	9 1/2"	1.50	<b>3BPBW150</b>
3 1/4"	10 1/2"	2.00	<b>3BPBW200</b>
3 13/16"	15 1/2"	2.80	<b>3BPBW250</b>





# **Hydrasearch** DEFENSE



Hydrasearch is a proud supplier to the United States military. Our product offerings include Replenishment At Sea (RAS) & Underway Replenishment hardware, high pressure hose & fittings, critical systems hose & fittings, and Aerospace fittings. We hold several Qualified Products Listings (QPL's) for products supplied to the United States Navy. Operating under a very mature Quality Management System (ISO-9001) allows us to provide superior, quality parts that we are proud to label as Hydrasearch products.

[hydrasearchdefense.com](http://hydrasearchdefense.com)

## Exhaust Fittings..... 44 to 46

Transom exhausts .....	44
Exhaust with flapper.....	44
Exhaust collections .....	45
T type .....	45
Y type .....	45
Elbow connections.....	45-46
90° elbows .....	45
Water cooled exhaust elbows .....	46



In order to ensure proper function of products, it is strongly recommended that each part is inspected and serviced monthly. Inspection should include, but not be limited to, visible damage, excessive wear, and proper bonding. Failure to properly maintain your product may result in catastrophic failure and/or loss of life.



Transom Exhaust

Feature:

- cast bronze finish or polished 316 stainless steel



Hose I.D.	Length Under Flange	Flange O.D.	Flange Angle Degree	C.S. Screw Size	Weight lbs.	Bronze Part #	316 Stainless Steel Part #
1½"	2½"	3 <sup>3</sup> / <sub>16</sub> "	90	¼"	1.20	<b>00TE150</b>	<b>70TE150</b>
1⅞"	2½"	3½"	90	¼"	1.40	<b>00TE188</b>	---
2"	2½"	3 <sup>5</sup> / <sub>8</sub> "	90	¼"	1.75	<b>00TE200</b>	<b>70TE200</b>
2½"	4"	4½"	15	¼"	3.00	<b>00TE250</b>	<b>70TE250</b>
3"	5"	5"	8	¼"	3.90	<b>00TE300</b>	<b>70TE300</b>
3½"	5"	6½"	8	¼"	4.80	<b>00TE350</b>	---
4"	4¾"	7"	16	¼"	6.10	<b>00TE400</b>	<b>70TE400</b>
5"	5"	7½"	90	¼"	7.73	<b>00TE500</b>	<b>70TE500</b>
6"	5"	9¾"	90	¼"	11.40	<b>00TE600</b>	<b>70TE600</b>

Transom Exhaust - Angled Shank

Feature:

- cast bronze finish or polished 316 stainless steel



Hose I.D.	Length Under Flange	Flange O.D.	Flange Angle Degree	C.S. Screw Size	Weight lbs.	Bronze Part #	316 Stainless Steel Part #
2¾"	5"	4½"	9	¼"	2.00	<b>00TEA238</b>	---
4"	6¼"	7"	9	¼"	8.10	<b>00TEA400</b>	<b>70TEA400</b>
6"	6½"	9"	9	¼"	12.60	<b>00TEA600</b>	---
8"	6½"	11½"	9	¼"	18.40	<b>00TEA800</b>	---

Exhaust with Flapper

Feature:

- cast bronze finish



Hose I.D.	Length Under Flange	Flange O.D.	Flange Angle Degree	C.S. Screw Size	Weight lbs.	Bronze Part #
6"	5"	9¾"	90°	¼"	15.80	<b>00TE600F</b>

Flapper Only

Feature:

- cast bronze finish



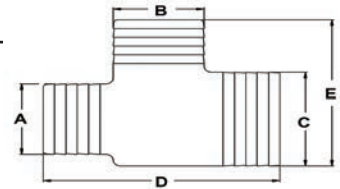
Used with Part #	Part #
00TE600F	<b>00TE600FF</b>

Exhaust Collections

Feature:

- powder coated gray iron

T Type

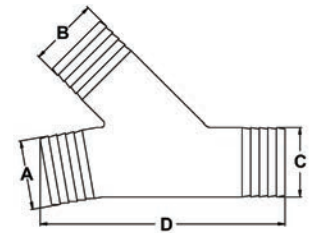


Dimensions						Iron Part #
Hose I.D. A	Hose I.D. B	Hose I.D. C	Overall Width D	Overall Length E	Weight lbs.	
3"	3"	4"	7 <sup>13</sup> / <sub>16</sub> "	6 <sup>1</sup> / <sub>4</sub> "	7.50	<b>40EC30400B</b>
4"	4"	4"	9"	6 <sup>1</sup> / <sub>2</sub> "	8.80	<b>40EC4040B</b>
4"	4"	5"	9 <sup>3</sup> / <sub>8</sub> "	6 <sup>1</sup> / <sub>2</sub> "	11.30	<b>40EC4050B</b>

Y Type

Feature:

- powder coated gray iron

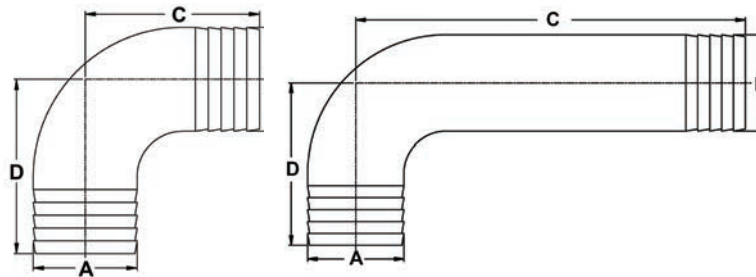


Dimensions					Iron Part #
Hose I.D. A	Hose I.D. B	Hose I.D. C	Overall Length D	Weight lbs.	
3"	3"	4"	9 <sup>1</sup> / <sub>2</sub> "	7.50	<b>40EC300400</b>

90° Elbows

Feature:

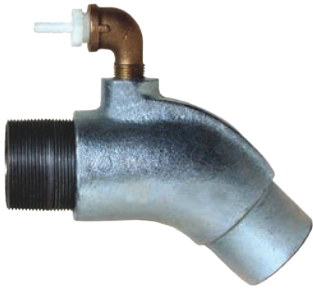
- powder coated gray iron



Dimensions						Iron Part #
Hose I.D. A	Hose I.D. B	C to E C	C to E D	Angle Degree	Weight lbs.	
3"	3"	4 <sup>1</sup> / <sub>2</sub> "	4 <sup>1</sup> / <sub>2</sub> "	90°	6.00	<b>40EE30090</b>
4"	4"	9"	9"	90°	14.00	<b>40EE40090</b>
4"	4"	5"	5"	90°	7.00	<b>40EE40090S</b>

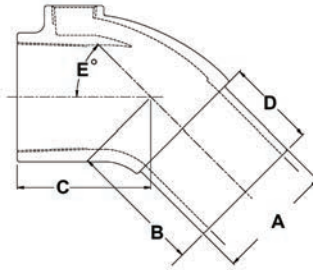
Water Cooled Exhaust Elbows

Exhaust Fittings



Features:

- zinc plated malleable iron - complete with extra heavy close nipple, street elbow and Tuff-lite™ hose adapter
- sold complete



Dimensions									Zinc Plated Malleable Iron Part #
Hose I.D. A	C to E B	C to E C	Hose End Length D	Angle Degree E	Close Nipple Size	Water Injection Hose Size	Weight lbs.		
2 3/8"	3"	2"	2"	45°	2" - 1 1/2"	5/8"	4.00	<b>31EE200</b>	
3"	3 1/2"	2 1/4"	2 1/4"	45°	2 1/2" - 8	1/2"	6.00	<b>31EE250</b>	

Hose & Clamps ..... 48 - 52

Packing box hoses ..... 48

    Heavy duty ..... 48

    12" sections ..... 48

Worm gear clamps ..... 49

    Miniature ..... 49

Bolt clamps ..... 50-52

    T-Bolt clamps ..... 50-51

    Single ..... 52

    Double ..... 52



## Heavy Duty

Hose &  
Clamps

Hose ID	Hose OD <sup>1</sup>	Overall Length	Part #
1½"	2¼"	4"	<b>80HO150</b>
1¾"	2⅝"	4½"	<b>80HO175</b>
2"	2¾"	4"	<b>80HO200</b>
2¼"	3"	4½"	<b>80HO225</b>
2⅝"	3¼"	5"	<b>80HO2375</b>
2½"	3¼"	5"	<b>80HO250</b>
2⅝"	3⅝"	4½"	<b>80HO2625</b>
2¾"	3¼"	5½"	<b>80HO275</b>
3"	3¾"	5½"	<b>80HO300</b>
3½"	4¼"	5½"	<b>80HO350</b>
4"	4¾"	8"	<b>80HO400</b>
4½"	5¼"	8"	<b>80HO450</b>

## 12" Sections



Hose ID	Hose OD <sup>1</sup>	Overall Length	Part #
1¼"	2"	12"	<b>80HO12512</b>
1½"	2¼"	12"	<b>80HO15012</b>
1⅝"	2⅝"	12"	<b>80HO162512</b>
1¾"	2⅝"	12"	<b>80HO17512</b>
2"	2¾"	12"	<b>80HO20012</b>
2¼"	3"	12"	<b>80HO22512</b>
2⅝"	3¼"	12"	<b>80HO237512</b>
2½"	3¼"	12"	<b>80HO25012</b>
2⅝"	3⅝"	12"	<b>80HO262512</b>
2¾"	3¼"	12"	<b>80HO272512</b>
3"	3¾"	12"	<b>80HO30012</b>
3½"	4¼"	12"	<b>80HO35012</b>
4"	4¾"	12"	<b>80HO40012</b>
4½"	5¼"	12"	<b>80HO45012</b>

<sup>1</sup> outside diameters are approximate

## Worm Gear Clamps

**Application:**

- recommended for all marine use

**Materials:**

- band and screw housing: SAE-301 series stainless steel
- screw: SAE-305 series stainless steel

**Features:**

- heavy duty
- ¼" screw with a slotted hexagon head
- sold in packs of 10

Minimum Diameter Range	Maximum Diameter Range	Stainless Steel Part #
7/16"	25/32"	70HSS6
1/2"	29/32"	70HSS8
7/16"	1 1/16"	70HSS10
11/16"	1 1/4"	70HSS12
13/16"	1 1/2"	70HSS16
13/16"	1 3/4"	70HSS20
1 1/16"	2"	70HSS24
1 5/16"	2 1/4"	70HSS28
1 9/16"	2 1/2"	70HSS32
1 13/16"	2 3/4"	70HSS36
2 1/16"	3"	70HSS40
2 5/16"	3 1/4"	70HSS44
2 9/16"	3 1/2"	70HSS48
2 13/16"	3 3/4"	70HSS52
3 1/16"	4"	70HSS56
3 5/16"	4 1/4"	70HSS60
3 9/16"	4 1/2"	70HSS64
4 1/8"	5"	70HSS72
4 5/8"	5 1/2"	70HSS80
5 1/8"	6"	70HSS88
5 5/8"	6 1/2"	70HSS96
6 1/8"	7"	70HSS104
5 5/8"	8 1/2"	70HSS428
7 1/8"	10"	70HSS152
10 1/4"	12 3/4"	70HSS188

**Miniature****Application:**

- recommended for limited marine use

**Materials:**

- band and screw housing: SAE-300 series stainless steel
- screw: SAE-410 series stainless steel

**Features:**

- heavy duty
- ¼" screw with a slotted hexagon head
- sold in packs of 10

Minimum Diameter Range	Maximum Diameter Range	Stainless Steel Part #
7/32"	5/8"	70MAH4
7/16"	25/32"	70MAH6
1/2"	29/32"	70MAH8
9/16"	1 1/16"	70MAH10
11/16"	1 1/4"	70MAH12
13/16"	1 1/2"	70MAH16
13/16"	1 3/4"	70MAH20





## T-Bolt Clamps

**Materials:**

- band: #301 stainless steel
- T-bolt: #305 stainless steel
- nut: 18-8 stainless steel with nylon insert

**Feature:**

- ¾" wide band
- .025" band thickness

**2½" Bolt**

Diameter Range		Stainless Steel Part #
Min	Max	
1.260"	1.440"	<b>70STBC138</b>
1.344"	1.562"	<b>70STBC150</b>
1.594"	1.812"	<b>70STBC175</b>
1.724"	1.942"	<b>70STBC188</b>
1.844"	2.062"	<b>70STBC200</b>
2.094"	2.312"	<b>70STBC225</b>
2.224"	2.442"	<b>70STBC238</b>
2.344"	2.562"	<b>70STBC250</b>
2.326"	2.622"	<b>70STBC256</b>
2.396"	2.692"	<b>70STBC263</b>
2.516"	2.812"	<b>70STBC275</b>
2.646"	2.942"	<b>70STBC288</b>
2.766"	3.062"	<b>70STBC300</b>
2.886"	3.182"	<b>70STBC312</b>
3.016"	3.312"	<b>70STBC325</b>
3.266"	3.562"	<b>70STBC350</b>
3.516"	3.812"	<b>70STBC375</b>
3.766"	4.062"	<b>70STBC400</b>
4.016"	4.312"	<b>70STBC425</b>
4.266"	4.562"	<b>70STBC450</b>
4.516"	4.812"	<b>70STBC475</b>
4.766"	5.062"	<b>70STBC500</b>
5.016"	5.312"	<b>70STBC525</b>
5.266"	5.562"	<b>70STBC550</b>
5.516"	5.812"	<b>70STBC575</b>
5.646"	5.942"	<b>70STBC588</b>
5.766"	6.062"	<b>70STBC600</b>
6.016"	6.312"	<b>70STBC625</b>
6.266"	6.562"	<b>70STBC650</b>
6.516"	6.812"	<b>70STBC675</b>
6.766"	7.062"	<b>70STBC700</b>
7.266"	7.562"	<b>70STBC750</b>
7.766"	8.062"	<b>70STBC800</b>
8.266"	8.562"	<b>70STBC850</b>
8.766"	9.062"	<b>70STBC900</b>
9.166"	9.562"	<b>70STBC950</b>
9.766"	10.062"	<b>70STBC1000</b>
10.646"	10.942"	<b>70STBC1200</b>



2½" Bolt

## T-Bolt Clamps

**Materials:**

- band: #301 stainless steel
- T-bolt: #305 stainless steel
- nut: 18-8 stainless steel with nylon insert

**Feature:**

- $\frac{3}{4}$ " wide band
- .025" band thickness

 **$3\frac{1}{2}$ " Bolt**

Diameter Range		Stainless Steel Part #
Min	Max	
3.37"	3.94"	<b>70STBC382L</b>
3.75"	4.32"	<b>70STBC420L</b>
3.87"	4.44"	<b>70STBC432L</b>
4.05"	4.62"	<b>70STBC450L</b>
4.37"	4.94"	<b>70STBC482L</b>
4.87"	5.44"	<b>70STBC532L</b>
5.05"	5.62"	<b>70STBC550L</b>
5.37"	5.94"	<b>70STBC582L</b>
5.87"	6.44"	<b>70STBC632L</b>
6.62"	7.19"	<b>70STBC675L</b>
6.53"	7.10"	<b>70STBC707L</b>
8.30"	8.87"	<b>70STBC875L</b>
8.43"	9.00"	<b>70STBC888L</b>
8.62"	9.19"	<b>70STBC907L</b>
10.25"	10.82"	<b>70STBC107L</b>
10.43"	11.00"	<b>70STBC1088</b>
10.72"	11.29"	<b>70STBC117L</b>
12.20"	12.77"	<b>70STBC126L</b>
12.43"	13.00"	<b>70STBC1288</b>
12.75"	13.32"	<b>70STBC132L</b>
14.32"	14.95"	<b>70STBC1475</b>
14.43"	15.00"	<b>70STBC1488</b>
14.75"	15.32"	<b>70STBC152L</b>
16.32"	16.96"	<b>70STBC1675</b>
16.43"	17.00"	<b>70STBC168L</b>

 $3\frac{1}{2}$ " Bolt

## Bolt Clamps

## Feature:

- machine bolt and hex nut included

## Single

Minimum Diameter Range	Maximum Diameter Range	Zinc-Plated Malleable Iron Part #
$\frac{7}{8}$ "	1"	<b>30N02</b>
$\frac{31}{32}$ "	$1\frac{1}{8}$ "	<b>30N03</b>
$1\frac{1}{16}$ "	$1\frac{3}{16}$ "	<b>30N04</b>
$1\frac{5}{32}$ "	$1\frac{1}{4}$ "	<b>30N05</b>
$1\frac{1}{4}$ "	$1\frac{3}{8}$ "	<b>30N06</b>
$1\frac{11}{32}$ "	$1\frac{7}{16}$ "	<b>30N07</b>
$1\frac{7}{16}$ "	$1\frac{9}{16}$ "	<b>30N08</b>
$1\frac{17}{32}$ "	$1\frac{11}{16}$ "	<b>30N09</b>
$1\frac{21}{32}$ "	$1\frac{3}{4}$ "	<b>30N010</b>
$1\frac{3}{4}$ "	$1\frac{7}{8}$ "	<b>30N011</b>
$1\frac{7}{8}$ "	$2\frac{1}{32}$ "	<b>30N012</b>
2"	$2\frac{1}{8}$ "	<b>30N013</b>
$2\frac{1}{8}$ "	$2\frac{9}{32}$ "	<b>30N014</b>
$2\frac{1}{4}$ "	$2\frac{13}{32}$ "	<b>30N015</b>
$2\frac{3}{8}$ "	$2\frac{1}{2}$ "	<b>30N016</b>
$2\frac{1}{2}$ "	$2\frac{5}{8}$ "	<b>30N017</b>
$2\frac{5}{8}$ "	$2\frac{7}{8}$ "	<b>30N018</b>
$2\frac{7}{8}$ "	$3\frac{1}{16}$ "	<b>30N019</b>
$3\frac{1}{16}$ "	$3\frac{1}{4}$ "	<b>30N020</b>
$3\frac{1}{4}$ "	$3\frac{7}{16}$ "	<b>30N021</b>
$3\frac{7}{16}$ "	$3\frac{5}{8}$ "	<b>30N022</b>
$3\frac{5}{8}$ "	$4\frac{13}{16}$ "	<b>30N023</b>
$3\frac{13}{16}$ "	$4\frac{1}{8}$ "	<b>30N024</b>
$4\frac{1}{8}$ "	$4\frac{5}{16}$ "	<b>30N025</b>
$4\frac{1}{4}$ "	$4\frac{1}{2}$ "	<b>30N026</b>
$4\frac{7}{16}$ "	$4\frac{5}{8}$ "	<b>30N027</b>
$4\frac{5}{8}$ "	$4\frac{7}{8}$ "	<b>30N0X27</b>
$4\frac{7}{8}$ "	$5\frac{1}{4}$ "	<b>30N028</b>

Hose &  
Clamps

## Double

Minimum Diameter Range	Maximum Diameter Range	Zinc-Plated Malleable Iron Part #
$3\frac{1}{2}$ "	$3\frac{13}{16}$ "	<b>30DB400</b>
$4\frac{1}{32}$ "	$4\frac{9}{32}$ "	<b>30DB463</b>
$4\frac{1}{4}$ "	$4\frac{15}{16}$ "	<b>30DB525</b>
$4\frac{1}{2}$ "	$5\frac{1}{32}$ "	<b>30DB550</b>
$5\frac{1}{8}$ "	$5\frac{11}{16}$ "	<b>30DB600</b>
$5\frac{15}{16}$ "	$6\frac{1}{2}$ "	<b>30DB675</b>
$6\frac{1}{2}$ "	$7\frac{9}{16}$ "	<b>30DB769</b>
$7\frac{11}{16}$ "	$8\frac{3}{16}$ "	<b>30DB818</b>
$8\frac{1}{4}$ "	$8\frac{7}{8}$ "	<b>30DB875</b>
$8\frac{15}{16}$ "	$9\frac{7}{8}$ "	<b>30DB988</b>
$9\frac{15}{16}$ "	$11\frac{3}{8}$ "	<b>30DB1125</b>
$11\frac{3}{16}$ "	13"	<b>30DB1275</b>
$13\frac{3}{16}$ "	15"	<b>30DB1450</b>
$15\frac{1}{16}$ "	$17\frac{1}{2}$ "	<b>30DB1700</b>



## Plumbing Fittings ..... 54 - 62

Adapters .....	54-55	Couplings.....	59
Pipe to hose .....	54	Tees .....	59
Elbow pipe to hose.....	55	Crosses.....	59
Hose to hose.....	55	Reducers .....	60
Hose inserts.....	56	Hex bushings.....	60
Male .....	56	Plugs.....	61
Female.....	56	Solid square head.....	61
Nipples.....	56-57	Cloned square head.....	61
King combination .....	56	Hose menders .....	61
Close.....	57	Vented loops.....	62
Long.....	57	Replacement joker valve.....	62
Elbows.....	58	Tuff-lite™ .....	62-64
45° .....	58	Square head plugs.....	62
90° .....	58	Hose menders.....	62
45° Street.....	58	Tees .....	62
90° Street.....	58	Hose adapters .....	63
		90° elbows .....	64



Pipe to Hose Adapters

Plumbing  
Fittings



**Feature:**

- cast with hex for easy installation

Thread Size NPT	Hose ID	Overall Length	Weight lbs.	Bronze Part #
1/2"	1/2"	2 <sup>7</sup> / <sub>32</sub> "	0.15	<b>00HN50</b>
3/4"	1/4"	2 <sup>1</sup> / <sub>4</sub> "	0.20	<b>00HN75</b>
1"	1"	2 <sup>5</sup> / <sub>8</sub> "	0.40	<b>00HN100</b>
1 <sup>1</sup> / <sub>4</sub> "	1 <sup>1</sup> / <sub>4</sub> "	3"	0.75	<b>00HN125</b>
1 <sup>1</sup> / <sub>2</sub> "	1/2"	3 <sup>1</sup> / <sub>16</sub> "	1.10	<b>00HN150</b>
2"	2"	3 <sup>1</sup> / <sub>16</sub> "	1.25	<b>00HN200</b>
2 <sup>1</sup> / <sub>2</sub> "	1/2"	3 <sup>5</sup> / <sub>8</sub> "	2.10	<b>00HN250</b>
3"	3"	3 <sup>7</sup> / <sub>8</sub> "	3.15	<b>00HN300</b>
4"	4"	5"	8.00	<b>00HN400</b>

**Combination**



Thread Size NPT	Hose ID	Overall Length	Weight lbs.	Bronze Part #
1/2"	5/8"	2 <sup>1</sup> / <sub>4</sub> "	0.15	<b>00HN505062</b>
1/2"	3/4"	2 <sup>1</sup> / <sub>4</sub> "	0.15	<b>00HN5075</b>
3/4"	5/8"	2 <sup>3</sup> / <sub>8</sub> "	0.20	<b>00HN75625</b>
3/4"	1/2"	2"	0.30	<b>00HN7550</b>
3/4"	1"	2 <sup>5</sup> / <sub>8</sub> "	0.40	<b>00HN75100</b>
3/4"	1 <sup>1</sup> / <sub>8</sub> "	2 <sup>5</sup> / <sub>8</sub> "	0.35	<b>00HN751125</b>
1"	1 <sup>1</sup> / <sub>8</sub> "	2 <sup>3</sup> / <sub>4</sub> "	0.70	<b>00HN100113</b>
1"	1 <sup>1</sup> / <sub>4</sub> "	3"	0.70	<b>00HN100125</b>
1 <sup>1</sup> / <sub>4</sub> "	1 <sup>1</sup> / <sub>2</sub> "	3 <sup>1</sup> / <sub>16</sub> "	1.10	<b>00HN1505</b>
1 <sup>1</sup> / <sub>2</sub> "	1 <sup>3</sup> / <sub>4</sub> "	3 <sup>1</sup> / <sub>16</sub> "	1.75	<b>00HN150175</b>
1 <sup>1</sup> / <sub>2</sub> "	2"	3 <sup>1</sup> / <sub>16</sub> "	1.75	<b>00HN150200</b>
2"	1 <sup>3</sup> / <sub>4</sub> "	3 <sup>1</sup> / <sub>16</sub> "	1.75	<b>00HN200175</b>
2 <sup>1</sup> / <sub>2</sub> "	3"	3 <sup>7</sup> / <sub>8</sub> "	3.00	<b>00HN250300</b>



Thread Size NPT	Hose ID	Overall Length	Weight lbs.	Stainless Steel Part #
1/4"	1/4"	1 <sup>13</sup> / <sub>16</sub> "	0.05	<b>70HN025</b>
3/8"	3/8"	2"	0.10	<b>70HN037</b>
1/2"	1/2"	2 <sup>1</sup> / <sub>2</sub> "	0.17	<b>70HN050</b>
3/4"	3/4"	2 <sup>9</sup> / <sub>16</sub> "	0.30	<b>70HN075</b>
1"	1"	3"	0.45	<b>70HN100</b>
1 <sup>1</sup> / <sub>4</sub> "	1 <sup>1</sup> / <sub>4</sub> "	3 <sup>1</sup> / <sub>2</sub> "	0.60	<b>70HN125</b>
1 <sup>1</sup> / <sub>2</sub> "	1 <sup>1</sup> / <sub>2</sub> "	3 <sup>1</sup> / <sub>2</sub> "	0.85	<b>70HN150</b>
2"	2"	4"	1.35	<b>70HN200</b>
2 <sup>1</sup> / <sub>2</sub> "	2 <sup>1</sup> / <sub>2</sub> "	5 <sup>1</sup> / <sub>2</sub> "	2.30	<b>70HN250</b>
3"	3"	6"	2.85	<b>70HN300</b>
4"	4"	6 <sup>1</sup> / <sub>4</sub> "	5.60	<b>70HN400</b>

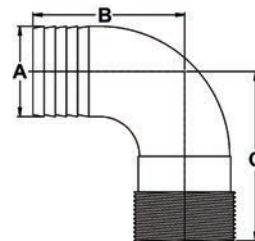
Elbow Pipe to Hose Adapters

90°

Feature:

- cast with hex for easy installation

Thread Size NPT	Hose ID (A)	C to E (B)	C to E (C)	Weight lbs.	Bronze Part #
1/2"	1/2"	2 1/8"	2 5/16"	0.25	00HN50E
3/4"	3/4"	2 1/8"	2 3/8"	0.35	00HN75E
1"	1"	1 7/8"	1 3/4"	0.70	00HN100E
1 1/4"	1 1/4"	2 11/16"	2 7/8"	0.90	00HN125E
1 1/2"	1 1/2"	3 3/8"	3 3/8"	1.25	00HN150E
2"	2"	3 13/16"	3 15/16"	2.70	00HN200E
2 1/2"	2 1/2"	4 3/8"	4 3/8"	4.80	00HN250E
3"	3"	4 7/16"	4 1/8"	8.00	00HN300E
4"	4"	7 1/4"	6 1/2"	18.00	00HN400E



Plumbing  
Fittings

Combination

Feature:

- cast with hex for easy installation

Thread Size NPT	Hose ID (A)	C to E (B)	C to E (C)	Weight lbs.	Bronze Part #
1/2"	3/4"	2 1/8"	1 3/4"	0.30	00HN5075E
1/2"	5/8"	2 3/8"	3 5/16"	0.30	00HN50562E
1"	1 1/4"	3 1/16"	3 1/16"	0.75	00HN100125E
1"	1 1/4"	2 1/8"	2 1/4"	0.75	00HN100125ES

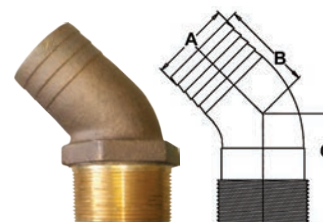


45°

Feature:

- cast with hex for easy installation

Thread Size NPT	Hose ID (A)	C to E (B)	C to E (C)	Weight lbs.	Bronze Part #
2"	2"	2 1/2"	2 1/2"	2.20	00HN20045E
2 1/2"	2 1/2"	2 7/8"	2 7/8"	4.00	00HN25045E



Hose to Hose Adapters

Hose ID	Overall Length	Weight lbs.	Bronze Part #
1 1/4"	3 5/8"	0.70	00HH125
1 1/2"	4"	1.10	00HH150
2"	4 1/2"	1.80	00HH200



90°

Hose ID (A)	Hose ID (B)	C to E (C)	C to E (D)	Weight lbs.	Bronze Part #
1 1/2"	1 1/2"	3 1/4"	3 1/4"	1.10	00HH150E
2 1/2"	2 1/2"	4 1/2"	4 1/2"	4.15	00HH250E
3"	3"	4 1/8"	4 1/8"	6.10	00HH300E





Male Hose Inserts

Plumbing  
Fittings



Hose ID	Thread Size NPT	Brass Part #	Hose ID	Thread Size NPT	Brass Part #
1/8"	1/8"	00BN11	1/2"	1/4"	00BN42
3/16"	1/8"	00BN151	1/2"	3/8"	00BN43
3/16"	1/4"	00BN152	1/2"	1/2"	00BN44
1/4"	1/8"	00BN21	1/2"	3/4"	00BN46
1/4"	1/4"	00BN22	5/8"	3/8"	00BN53
1/4"	3/8"	00BN23	5/8"	1/2"	00BN54
5/16"	1/8"	00BN251	5/8"	3/4"	00BN56
5/16"	1/4"	00BN252	3/4"	1/2"	00BN64
5/16"	3/8"	00BN253	3/4"	3/4"	00BN66
3/8"	1/8"	00BN31	1"	3/4"	00BN86
3/8"	1/4"	00BN32	1"	1"	00BN88
3/8"	3/8"	00BN33			
3/8"	1/2"	00BN34			

Female Hose Inserts



Hose ID	Thread Size NPT	Brass Part #	Hose ID	Thread Size NPT	Brass Part #
1/8"	1/8"	00BF11	3/8"	1/8"	00BF31
1/4"	1/8"	00BF21	3/8"	1/4"	00BF32
1/4"	1/4"	00BF22	3/8"	3/8"	00BF33
5/16"	1/8"	00BF251	1/2"	3/8"	00BF43
5/16"	1/4"	00BF252	1/2"	1/2"	00BF44

King™ Combination Nipples



Hose ID	Thread Size NPT	Plated Steel Part #	Stainless Steel Part #	Aluminum Part #	Red Brass Part #
1/2"	1/2"	BBSTC1	70RST1	20AST1	00BST1
3/4"	3/4"	BBSTC5	70RST5	20AST5	00BST5
1"	1"	BBSTC10	70RST10	20AST10	00BST10
1 1/4"	1 1/4"	BBSTC15	70RST15	20AST15	00BST15
1 1/2"	1 1/2"	BBSTC20	70RST20	20AST20	00BST20
2"	2"	BBSTC25	70RST25	20AST25	00BST25
2 1/2"	2 1/2"	BBSTC30	70RST30	20AST30	00BST30
3"	3"	BBSTC35	70RST35	20AST35	00BST35
4"	4"	BBSTC40	70RST40	20AST40	00BST40
5"	5"	BBSTC50	70RST50	20AST50	---
6"	6"	BBSTC60	70RST60	20AST60	---
8"	8"	BBSTC80	70RST80	---	---
10"	10"	BBSTC100	---	---	---
12"	12"	BBSTC120	---	---	---

## Close Nipples

Thread Size NPT	Overall Length	Pipe OD	Pipe ID	Wall Thickness	Weight lbs	Brass Part #
1/8"	3/4"	0.405	0.281	0.062	0.05	<b>00011CN</b>
1/4"	7/8"	0.540	0.376	0.082	0.05	<b>00025CN</b>
3/8"	1"	0.675	0.495	0.090	0.05	<b>00037CN</b>
1/2"	1 1/8"	0.840	0.626	0.107	0.05	<b>00050CN</b>
3/4"	1 3/8"	1.050	0.822	0.114	0.10	<b>00075CN</b>
1"	1 1/2"	1.315	1.063	0.126	0.15	<b>00100CN</b>
1 1/4"	1 5/8"	1.660	1.368	0.146	0.25	<b>00125CN</b>
1 1/2"	1 3/4"	1.900	1.600	0.150	0.36	<b>00150CN</b>
2"	2"	2.375	2.063	0.156	0.55	<b>00200CN</b>
2 1/2"	2 1/2"	2.875	2.501	0.187	0.90	<b>00250CN</b>
3"	2 5/8"	3.500	3.062	0.219	1.35	<b>00300CN</b>
4"	2 7/8"	4.500	4.000	0.250	2.25	<b>00400CN</b>

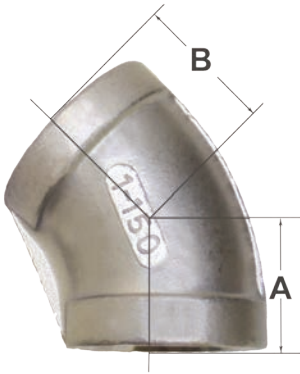


Plumbing  
Fittings

## Long Nipples

Thread Size NPT	Overall Length	Pipe OD	Pipe ID	Wall Thickness	Weight lbs	Brass Part #
1/4"	2"	0.540"	0.376"	0.082"	0.05	<b>00025X02LN</b>
1/4"	3"	0.540"	0.376"	0.082"	0.10	<b>00025X03LN</b>
1/4"	4"	0.540"	0.376"	0.082"	0.15	<b>00025X04LN</b>
1/4"	5"	0.540"	0.376"	0.082"	0.20	<b>00025X05LN</b>
1/4"	12"	0.540"	0.376"	0.082"	0.45	<b>00025X12LN</b>
1/2"	3"	0.840"	0.626"	0.107"	0.20	<b>00050X03LN</b>
1/2"	5"	0.840"	0.626"	0.107"	0.35	<b>00050X05LN</b>
1/2"	6"	0.840"	0.626"	0.107"	0.40	<b>00050X06LN</b>
3/4"	2"	1.050"	0.822"	0.114"	0.10	<b>00075X02LN</b>
3/4"	2 1/2"	1.050"	0.822"	0.114"	0.20	<b>00075X25LN</b>
3/4"	4"	1.050"	0.822"	0.114"	0.35	<b>00075X04LN</b>
3/4"	6"	1.050"	0.822"	0.114"	0.55	<b>00075X06LN</b>
1"	2"	1.315"	1.063"	0.126"	0.25	<b>00100X02LN</b>
1"	4"	1.315"	1.063"	0.126"	0.50	<b>00100X04LN</b>
1 1/4"	4"	1.660"	1.368"	0.146"	0.80	<b>00125X04LN</b>
1 1/2"	4"	1.900"	1.600"	0.150"	0.95	<b>00150X04LN</b>
1 1/2"	6"	1.900"	1.600"	0.150"	1.45	<b>00150X06LN</b>
1 1/2"	12"	1.900"	1.600"	0.150"	2.90	<b>00150X12LN</b>
2"	3"	2.375"	2.063"	0.156"	0.90	<b>00200X03LN</b>
2"	4"	2.375"	2.063"	0.156"	1.25	<b>00200X04LN</b>
2"	6"	2.375"	2.063"	0.156"	1.90	<b>00200X06LN</b>
2"	12"	2.375"	2.063"	0.156"	3.80	<b>00200X12LN</b>
2 1/2"	3"	2.875"	2.501"	0.187"	1.15	<b>0025X03LN</b>
2 1/2"	6"	2.875"	2.501"	0.187"	2.60	<b>0025X06LN</b>
3"	6"	3.500"	3.062"	0.219"	3.90	<b>00300X06LN</b>
4"	4"	2.875"	2.501"	0.187"	1.90	<b>0025X04LN</b>
4"	6"	4.500"	4.000"	0.250"	5.60	<b>00400X06LN</b>
4"	7"	4.500"	4.000"	0.250"	6.50	<b>00400X07LN</b>

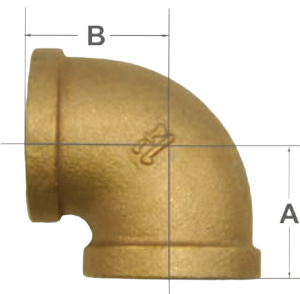




## 45° Elbows

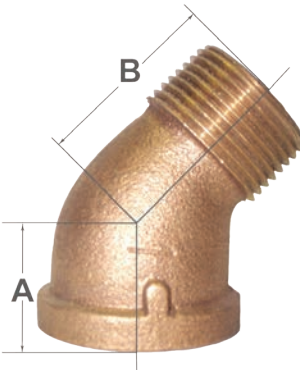
Thread Size NPT	C to E (A)	C to E (B)	Weight lbs.	Bronze Part #
1/8"	7/16"	7/16"	0.05	00102011
1/4"	35/64"	35/64"	0.10	00102025
3/8"	5/8"	5/8"	0.10	00102037
1/2"	51/64"	51/64"	0.20	00102050
3/4"	29/32"	29/32"	0.35	00102075
1"	15/64"	15/64"	0.55	00102100
1 1/4"	1 1/4"	1 1/4"	0.90	00102125
1 1/2"	1 5/16"	1 5/16"	1.10	00102150
2"	1 15/32"	1 15/32"	1.55	00102200
2 1/2"	2"	2"	3.30	00102250
3"	2 1/4"	2 1/4"	4.90	00102300
4"	2 1/2"	2 1/2"	8.00	00102400

## 90° Elbows



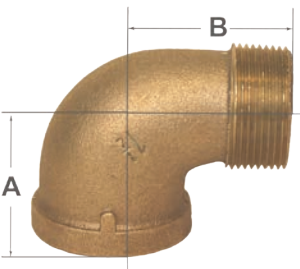
Thread Size NPT	C to E (A)	C to E (B)	Weight lbs.	Bronze Part #
1/8"	35/64"	35/64"	0.10	00101011
1/4"	23/32"	23/32"	0.10	00101025
3/8"	53/64"	53/64"	0.15	00101037
1/2"	1 1/32"	1 1/32"	0.25	00101050
3/4"	1 3/16"	1 3/16"	0.35	00101075
1"	1 7/16"	1 7/16"	0.60	00101100
1 1/4"	1 23/32"	1 23/32"	0.95	00101125
1 1/2"	1 7/8"	1 7/8"	1.36	00101150
2"	2 9/64"	2 9/64"	2.35	00101200
2 1/2"	2 3/4"	2 3/4"	3.80	00101250
3"	3 7/64"	3 7/64"	5.20	00101300

## 45° Street Elbows



Thread Size NPT	C to E (A)	C to E (B)	Weight lbs.	Bronze Part #
1/8"	1/4"	7/16"	0.05	00103H011
1/4"	1 1/32"	9/16"	0.10	00103H025
3/8"	3/8"	5/8"	0.10	00103H037
1/2"	29/64"	51/64"	0.15	00103H050
3/4"	1/2"	9/32"	0.30	00103H075
1"	39/64"	15/64"	0.50	00103H100
1 1/4"	43/64"	1 1/4"	0.75	00103H125
1 1/2"	45/64"	15/16"	1.00	00103H150
2"	3/4"	1 15/32"	2.05	00103H200

## 90° Street Elbows



Thread Size NPT	C to E (A)	C to E (B)	Weight lbs.	Bronze Part #
1/8"	35/64"	59/64"	0.05	00103011
1/4"	23/32"	1 7/64"	0.10	00103025
3/8"	53/64"	1 1/4"	0.15	00103037
1/2"	1 1/32"	1 1/2"	0.20	00103050
3/4"	1 3/16"	1 21/32"	0.35	00103075
1"	1 7/16"	1 63/64"	0.64	00103100
1 1/4"	1 23/32"	2 1/4"	1.10	00103125
1 1/2"	1 7/8"	2 29/64"	1.15	00103150
2"	2 9/64"	2 63/64"	2.10	00103200
2 1/2"	2 3/4"	3 59/64"	3.80	00103250
3"	3 7/64"	4 29/64"	6.40	00103300
4"	4"	6"	11.95	00103400

## Couplings

## Feature:

- stainless steel may be available upon request

Thread Size NPT	Overall Length	Weight lbs.	Bronze Part #
1/8"	51/64"	0.05	00111011
1/4"	51/64"	0.10	00111025
3/8"	13/64"	0.15	00111037
1/2"	119/64"	0.20	001110050
3/4"	17/16"	0.30	00111075
1"	111/16"	0.45	00111100
1 1/4"	17/8"	0.80	00111125
1 1/2"	159/64"	1.00	00111150
2"	213/64"	1.55	00111200
3"	33/16"	3.60	00111300



Plumbing  
Fittings

## Tees

## Feature:

- stainless steel may be available upon request

Thread Size NPT (A)	Thread Size NPT (B)	Thread Size NPT (C)	C to E (D)	C to E (E)	Weight lbs.	Bronze Part #
1/8"	1/8"	1/8"	35/64"	35/64"	0.10	00106011T
1/4"	1/4"	1/4"	23/32"	23/32"	0.15	00106025T
3/8"	3/8"	3/8"	53/64"	53/64"	0.25	00106037T
1/2"	1/2"	1/2"	11/32"	11/32"	0.30	00106050T
3/4"	3/4"	3/4"	31/64"	31/64"	0.50	00106075T
1"	1"	1"	27/32"	27/32"	0.85	00106100T
1 1/4"	1 1/4"	1 1/4"	13/16"	13/16"	1.20	00106125T
1 1/2"	1 1/2"	1 1/2"	17/8"	17/8"	1.70	00106150T
2"	2"	2"	29/64"	29/64"	2.70	00106200T
2"	2"	2"	17/8"	17/8"	2.50	001062015T
2 1/2"	2 1/2"	2 1/2"	23/8"	23/8"	4.25	00106252520T
2 1/2"	2 1/2"	2 1/2"	23/4"	23/4"	5.28	00106250T
3"	3"	3"	37/64"	37/64"	6.70	00106300T
4"	4"	4"	4"	4"	11.30	00106300T

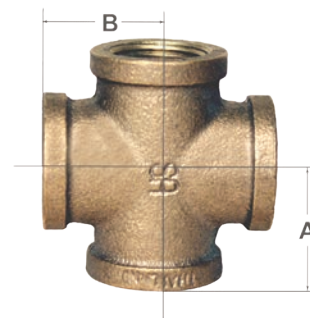


## Crosses

## Feature:

- stainless steel may be available upon request

Thread Size NPT	C to E (A)	C to E (B)	Weight lbs.	Bronze Part #
1/8"	5/8"	5/8"	0.15	00110011
1/4"	23/32"	23/32"	0.20	00110025
3/8"	53/64"	53/64"	0.30	00110037
1/2"	11/32"	11/32"	0.40	00110050
3/4"	13/16"	13/16"	0.60	00110075
1"	13/16"	13/16"	1.15	00110100
1 1/4"	123/32"	123/32"	1.70	00110125
1 1/2"	17/8"	17/8"	2.00	00110150
2"	29/64"	29/64"	2.50	00110200





Reducers

Thread Size NPT	Overall Length	Weight lbs.	Bronze Part #
1/4" x 1/8"	7/8"	0.10	00112011
3/8" x 1/4"	59/64"	0.10	00112025
1/2" x 3/8"	1 11/64"	0.15	00112037
3/4" x 1/2"	1 23/64"	0.25	00112050
1" x 3/4"	1 9/16"	0.45	00112075
1 1/4" x 1"	1 49/64"	0.65	00112100
1 1/2" x 1 1/4"	1 51/64"	0.85	00112125
2" x 1 1/4"	2 1/32"	1.35	00112200125
2" x 1 1/2"	2 1/32"	1.75	00112150
2 1/2" x 2"	3 5/32"	2.35	00112200
3" x 2"	3 45/64"	2.40	00112300200
3" x 2 1/2"	3 45/64"	3.80	00112300250
4" x 2"	4 3/8"	5.35	00112400200
4" x 3"	4 3/8"	6.10	00112300

Hex Bushings

Thread Size NPT	Overall Length	Weight lbs.	Bronze Part #
1/4" x 1/8"	37/64"	0.05	00114025011
3/8" x 1/8"	41/64"	0.05	00114037011
3/8" x 1/4"	41/64"	0.05	00114037025
1/2" x 1/8"	3/4"	0.10	00114050011
1/2" x 1/4"	3/4"	0.10	00114050025
1/2" x 3/8"	3/4"	0.10	00114050037
3/4" x 1/8"	7/8"	0.15	00114075011
3/4" x 1/4"	55/64"	0.15	00114075025
3/4" x 3/8"	55/64"	0.15	00114075037
3/4" x 1/2"	55/64"	0.15	00114075050
1" x 1/4"	1 3/64"	0.30	00114100025
1" x 3/8"	1 3/64"	0.25	00114100037
1" x 1/2"	1"	0.25	00114100050
1" x 3/4"	1"	0.25	00114100075
1 1/4" x 1/4"	1 7/32"	0.36	00114125025
1 1/4" x 3/8"	1 3/16"	0.30	00114125037
1 1/4" x 1/2"	1 9/64"	0.50	00114125050
1 1/4" x 3/4"	1 5/64"	0.45	00114125075
1 1/4" x 1"	1 5/64"	0.35	00114125100
1 1/2" x 1/4"	1 3/32"	0.30	00114150025
1 1/2" x 3/8"	1 23/64"	0.45	00114150037
1 1/2" x 1/2"	1 13/64"	0.50	00114150050
1 1/2" x 3/4"	1 13/64"	0.50	00114150075
1 1/2" x 1"	1 9/64"	0.60	00114150100
1 1/2" x 1 1/4"	1 9/64"	0.40	00114150125
2" x 1/4"	1 17/64"	1.15	00114200025
2" x 1/2"	1 17/64"	1.10	00114200050
2" x 3/4"	1 17/64"	0.75	00114200075
2" x 1"	1 19/64"	0.90	00114200100
2" x 1 1/4"	1 7/32"	1.00	00114200125
2" x 1 1/2"	1 7/32"	0.75	00114200150
2 1/2" x 1"	1 17/32"	1.20	00114250100
2 1/2" x 1 1/2"	1 1/2"	1.15	00114250150
2 1/2" x 2"	1 7/16"	1.10	00114250200
3" x 1 1/2"	1 39/64"	2.45	00114300150
3" x 2"	1 39/64"	1.80	00114300200
3" x 2 1/2"	1 17/32"	2.10	00114300250
4" x 2"	1 3/4"	2.90	00114400200
4" x 3"	1 7/8"	3.60	00114400300



Solid Square Head Plugs

Thread Size NPT	Overall Length	Weight lbs.	Bronze Part #
1/8"	1/2"	0.05	<b>00117A011</b>
1/4"	11/16"	0.05	<b>00117A025</b>
3/8"	23/32"	0.10	<b>00117A037</b>
1/2"	59/64"	0.10	<b>00117A050</b>
3/4"	1"	0.15	<b>00117A075</b>
1"	1 3/16"	0.25	<b>00117A100</b>
1 1/4"	1 1/4"	0.40	<b>00117A125</b>
1 1/2"	1 23/64"	0.50	<b>00117A150</b>
2"	1 7/16"	0.80	<b>00117A200</b>



Plumbing  
Fittings

Cored Square Head Plugs

Thread Size NPT	Overall Length	Weight lbs.	Bronze Part #
1/2"	59/64"	0.05	<b>00117050</b>
3/4"	1"	0.10	<b>00117075</b>
1"	1 3/16"	0.15	<b>00117100</b>
1 1/4"	1 1/4"	0.20	<b>00117125</b>
1 1/2"	1 11/32"	0.30	<b>00117150</b>

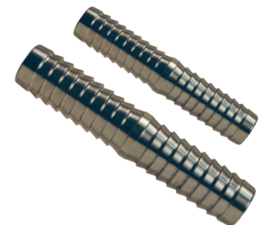


Hose Menders

Hose ID	Brass Part #
3/16"	<b>00BM15</b>
1/4"	<b>00BM2</b>
5/16"	<b>00BM25</b>
3/8"	<b>00BM3</b>
1/2"	<b>00BM4</b>
3/4"	<b>00BM6</b>
1"	<b>00BM8</b>



Hose ID	316 Stainless Steel Part #
3/4"	<b>70RDM6</b>
1"	<b>70RDM11</b>
1 1/4"	<b>70RDM16</b>
1 1/2"	<b>70RDM21</b>
2"	<b>70RDM26</b>
3"	<b>70RDM36</b>
4"	<b>70RDM46</b>







## Tuff-Lite™ Square Head Plugs

Thread Size NPT	Overall Length	Nylon Part #
1/8"	5/8"	<b>60TPS1</b>
1/4"	3/4"	<b>60TPS2</b>
3/8"	3/4"	<b>60TPS3</b>
1/2"	7/8"	<b>60TPS4</b>
3/4"	1"	<b>60TPS6</b>
1"	1 1/8"	<b>60TPS8</b>
1 1/4"	1 1/4"	<b>60TPS10</b>

## Tuff-Lite™ Hose Menders



Thread Size NPT	Overall Length	Nylon Part #
1/4"	2 1/4"	<b>60TM2</b>
5/16"	2 1/4"	<b>60TM25</b>
3/8"	2 1/4"	<b>60TM3</b>
1/2"	2 3/8"	<b>60TM4</b>
5/8"	2 3/8"	<b>60TM5</b>
3/4"	2 3/8"	<b>60TM6</b>
1"	2 1/4"	<b>60TM8</b>
1 1/4"	3"	<b>60TM16</b>
1 1/2"	3 1/2"	<b>60TM21</b>
2"	4 5/8"	<b>60TM26</b>

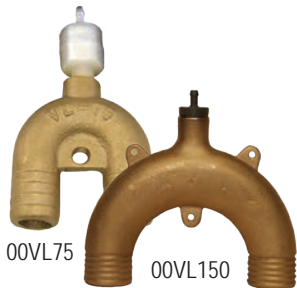
## Tuff-Lite™ Tees



Hose ID	Nylon Part #
1/4" x 1/4" x 1/4"	<b>60TSSS222</b>
3/8" x 3/8" x 3/8"	<b>60TSSS333</b>
1/2" x 1/2" x 1/2"	<b>60TSSS444</b>
3/4" x 3/4" x 3/4"	<b>60TSSS666</b>

## Vented Loops

- Features:**
- joker valve included
  - replacement joker valve available



Hose ID	Overall Height	Overall Width	Weight lbs.	Bronze Part #
3/4"	2 1/2"	2 1/4"	0.40	<b>00VL75</b>
1 1/2"	6 1/4"	7"	2.75	<b>00VL150</b>

## Replacement Joker Valves



Use With Part #	Bronze Part #
<b>00VL75</b> <b>00VL150</b>	<b>60VL75CV</b> <b>60VL150J</b>

## Tuff-Lite™ Hose Adapters

**Feature:**

- hexed for easy installation

Pipe Size NPT	Hose ID	Overall Length	Nylon Part #
1/4"	1/4"	1 3/4"	<b>60TN22</b>
3/8"	3/8"	1 3/4"	<b>60TN33</b>
1/2"	1/2"	1 3/4"	<b>60TN44</b>
3/4"	3/4"	2"	<b>60TN66</b>
1"	1"	2"	<b>60TN88</b>
1 1/4"	1 1/4"	2 3/4"	<b>60TN150</b>
1 1/2"	1 1/2"	2 3/4"	<b>60TN200</b>
2"	2"	4 1/4"	<b>60TN250</b>



Plumbing  
Fittings

**Combination**

Pipe Size NPT	Hose ID	Overall Length	Nylon Part #
1/8"	1/4"	1 5/8"	<b>60TN21</b>
3/8"	1/4"	1 3/4"	<b>60TN23</b>
1/2"	1/4"	1 3/4"	<b>60TN24</b>
3/4"	1/4"	1 7/8"	<b>60TN26</b>
1"	1/4"	1 7/8"	<b>60TN28</b>
1/4"	5/16"	1 7/8"	<b>60TN252</b>
1/8"	3/8"	1 3/4"	<b>60TN31</b>
1/4"	3/8"	1 3/4"	<b>60TN32</b>
1/2"	3/8"	1 7/8"	<b>60TN34</b>
3/4"	3/8"	1 7/8"	<b>60TN36</b>
1/8"	1/2"	1 3/4"	<b>60TN41</b>
1/4"	1/2"	1 3/4"	<b>60TN42</b>
3/8"	1/2"	1 3/4"	<b>60TN43</b>
3/4"	1/2"	1 7/8"	<b>60TN46</b>
3/8"	5/8"	1 3/4"	<b>60TN53</b>
1/2"	5/8"	1 3/4"	<b>60TN54</b>
3/4"	5/8"	1 7/8"	<b>60TN56</b>
3/8"	3/4"	1 3/4"	<b>60TN63</b>
1/2"	3/4"	1 7/8"	<b>60TN64</b>
1"	3/4"	1 7/8"	<b>60TN68</b>
3/4"	1"	2"	<b>60TN86</b>
1"	1 1/4"	2 3/8"	<b>60TN158</b>
1 1/2"	1 1/4"	2 3/4"	<b>60TN1520</b>
1 1/4"	1 1/2"	2 5/8"	<b>60TN2015</b>

**Tuff-Lite™ 90° Elbows**

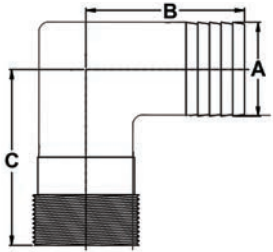


**Feature:**

- hexed for easy installation

Pipe Size NPT	Hose ID (A)	C to E (B)	C to E (C)	Nylon Part #
1/4"	1/4"	1 1/4"	1 1/4"	<b>60TLS22</b>
3/8"	3/8"	1 1/4"	1 3/8"	<b>60TLS33</b>
1/2"	1/2"	1 1/4"	1 1/2"	<b>60TLS44</b>
3/4"	3/4"	1 3/8"	1 3/4"	<b>60TLS66</b>
1"	1"	1 3/4"	1 7/8"	<b>60TLS88</b>

**Combination**



Pipe Size NPT	Hose ID (A)	C to E (B)	C to E (C)	Nylon Part #
1/8"	1/4"	1 1/4"	1 1/8"	<b>60TLS21</b>
3/8"	1/4"	1 1/4"	1 1/4"	<b>60TLS23</b>
1/8"	3/8"	1 1/4"	1 1/4"	<b>60TLS31</b>
1/4"	3/8"	1 1/4"	1 1/4"	<b>60TLS32</b>
1/2"	3/8"	1 1/8"	1 3/8"	<b>60TLS34</b>
3/4"	3/8"	1 1/8"	1 3/8"	<b>60TLS36</b>
1/4"	1/2"	1 1/4"	1 1/4"	<b>60TLS42</b>
3/8"	1/2"	1 1/4"	1 1/2"	<b>60TLS43</b>
3/4"	1/2"	1 1/4"	1 5/8"	<b>60TLS46</b>
1/8"	1/2"	1 1/4"	1 1/2"	<b>60TLS48</b>
3/8"	5/8"	1 1/4"	1 5/8"	<b>60TLS53</b>
1/2"	5/8"	1 1/4"	1 3/4"	<b>60TLS54</b>
3/4"	5/8"	1 3/8"	1 3/4"	<b>60TLS56</b>
1"	5/8"	1 1/4"	1 3/4"	<b>60TLS58</b>
3/8"	3/4"	1 3/8"	1 5/8"	<b>60TLS63</b>
1/2"	3/4"	1 1/4"	1 5/8"	<b>60TLS64</b>
1"	3/4"	1 3/8"	1 3/4"	<b>60TLS68</b>
3/4"	1"	1 3/4"	1 3/4"	<b>60TLS86</b>

Shafting & Accessories ..... 66 - 70

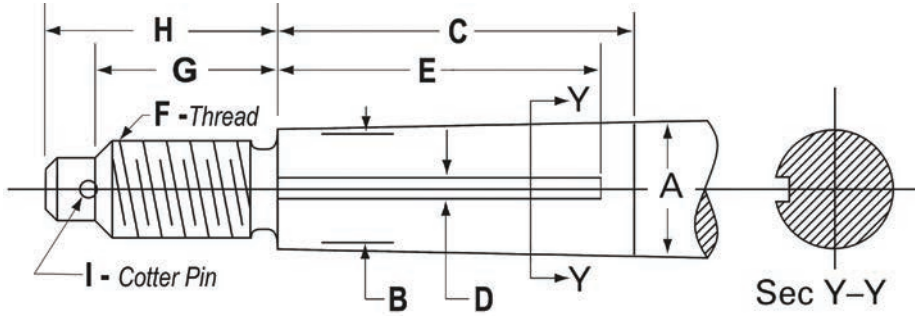
Marine propeller shaft dimensions..... 66  
 Propeller shaft kits & accessories..... 67  
 Propeller full nuts..... 67  
 Propeller jam nuts..... 67  
 Shaft keystone..... 68  
 Prop knockers..... 68  
 Shaft collars..... 68  
 Transmission couplers..... 69-74  
 Accessories ..... 70  
 Flange puller ..... 70  
 Coupler flange bolt sets ..... 70  
 Coupler pinch bolt sets ..... 70  
 Setscrews. .... 70  
 Transmission guide ..... 75-76



Marine Propeller Shafting

Hydrasearch offers premium marine grade propeller shafting. Our standard grades are AQ19 and AQ22, which are both superior in corrosion resistance and strength as compared to standard 304 or 316 stainless steel. All shafts are precision machined to SAE specification J755.

Shafting & Accessories



Marine Propeller Shaft Dimensions - SAE Specification J755

Shaft Diameter (A)	Small End Diameter <sup>1</sup> (B)	Taper Length <sup>2</sup> (C)	Keyway Width (D)	Keyway Length (E)	Thread Size (F)	End of Taper to End of Thread (G)	End of Taper to End of Shaft (H)	Cotter Pin Diameter (I)	Cotter Pin Length (J)
3/4"	0.625"	2"	3/16"	1 1/2"	1/2"-13	1 1/16"	1 5/16"	1/8"	3/4"
7/8"	0.727"	2 3/8"	1/4"	1 25/32"	5/8"-11	1 1/4"	1 1/2"	1/8"	3/4"
1"	0.828"	2 3/4"	1/4"	2 1/8"	3/4"-10	1 7/16"	1 3/4"	1/8"	1"
1 1/8"	0.930"	3 1/8"	1/4"	2 1/8"	3/4"-10	1 7/16"	1 3/4"	1/8"	1"
1 1/4"	1.033"	3 1/2"	5/16"	2 13/16"	7/8"-9	1 5/8"	2"	5/32"	1 1/4"
1 3/8"	1.133"	3 7/8"	5/16"	3 3/16"	1"-8	1 13/16"	2 1/4"	5/32"	1 1/2"
1 1/2"	1.234"	4 1/4"	3/8"	3 1/2"	1 1/8"-7	2"	2 7/16"	5/32"	1 1/2"
1 3/4"	1.438"	5"	7/16"	4 7/32"	1 1/4"-7	2 1/4"	2 3/4"	3/16"	1 3/4"
2"	1.641"	5 3/4"	1/2"	4 15/16"	1 1/2"-6	2 5/8"	3 1/8"	3/16"	2"
2 1/4"	1.844"	6 1/2"	9/16"	5 5/8"	1 3/4"-5	3"	3 1/2"	1/4"	2 1/4"
2 1/2"	2.047"	7 1/4"	5/8"	6 3/32"	1 3/4"-5	3"	3 1/2"	1/4"	2 1/4"
2 3/4"	2.258"	7 7/8"	5/8"	6 21/32"	2"-4 1/2	3 1/2"	4"	1/4"	2 1/2"
3"	2.461"	8 5/8"	3/4"	7 11/32"	2 1/4"-4 1/2	3 7/8"	4 3/8"	1/4"	3"
3 1/4"	2.661"	9 3/8"	3/4"	8 1/2"	2 1/2"-4	4 3/8"	5 1/8"	3/8"	3"
3 1/2"	2.867"	10 1/8"	7/8"	9 1/4"	2 1/2"-4	4 3/8"	5 1/8"	3/8"	3"
3 3/4"	3.070"	10 7/8"	7/8"	10"	2 3/4"-4	4 3/4"	5 1/2"	3/8"	3 1/2"
4"	3.273"	11 5/8"	1"	10 1/2"	3"-4	5 1/8"	5 7/8"	3/8"	3 1/2"

<sup>1</sup> Tolerances are +/- 0.001"

<sup>2</sup> Taper angle: 3/4" per foot

Propeller Shaft Kits

**Feature:**

- full nut, jam nut, keystick and cotter pin included

Shaft Size	Full & Jam Nut Thread Size	Keystick Dimensions	Cotter Pin Dimensions	Brass Part #
3/4"	1/2"-13	3/16" x 1 1/2"	1/8" x 3/4"	<b>PSK75</b>
7/8"	5/8"-11	1/4" x 1 25/32"	1/8" x 3/4"	<b>PSK87</b>
1"	3/4"-10	1/4" x 2 1/8"	1/8" x 1"	<b>PSK100</b>
1 1/8"	3/4"-10	1/4" x 2 1/8"	1/8" x 1"	<b>PSK112</b>
1 1/4"	7/8"-9	5/16" x 2 13/16"	5/32" x 1 1/4"	<b>PSK125</b>
1 3/8"	1"-8	5/16" x 3 3/16"	5/32" x 1 1/2"	<b>PSK138</b>
1 1/2"	1 1/8"-7	3/8" x 3 1/2"	5/32" x 1 1/2"	<b>PSK150</b>
1 3/4"	1 1/4"-7	7/16" x 4 7/32"	3/16" x 1 3/4"	<b>PSK175</b>
2"	1 1/2"-6	1/2" x 4 15/16"	3/16" x 2"	<b>PSK200</b>
2 1/4"	1 3/4"-5	9/16" x 5 5/8"	1/4" x 2 1/4"	<b>PSK225</b>
2 1/2"	1 3/4"-5	5/8" x 6 3/32"	1/4" x 2 1/4"	<b>PSK250</b>
2 3/4"	2"-4 1/2	5/8" x 6 21/32"	1/4" x 2 1/2"	<b>PSK275</b>
3"	2 1/4"-4 1/2	3/4" x 7 11/32"	1/4" x 3"	<b>PSK300</b>



Propeller Full Nuts

Thread Size	Shaft Size	Brass Part #
1/2"-13	3/4"	<b>75HEXNUT</b>
5/8"-11	7/8"	<b>875HEXNUT</b>
3/4"-10	1"	<b>1.00HEXNUT</b>
3/4"-10	1 1/8"	<b>1.12HEXNUT</b>
7/8"-9	1 1/4"	<b>1.25HEXNUT</b>
1"-8	1 3/8"	<b>1.37HEXNUT</b>
1 1/8"-7	1 1/2"	<b>1.50HEXNUT</b>
1 1/4"-7	1 3/4"	<b>1.75HEXNUT</b>
1 1/2"-6	2"	<b>2.00HEXNUT</b>
1 3/4"-5	2 1/2"	<b>2.50HEXNUT</b>
2"-4 1/2	2 3/4"	<b>2.75HEXNUT</b>
2 1/4"-4 1/2	3"	<b>3.00HEXNUT</b>
2 1/2"-4	3 1/2"	<b>3.50HEXNUT</b>



Propeller Jam Nuts

Thread Size	Shaft Size	Brass Part #
1/2"-13	3/4"	<b>75JAMNUT</b>
5/8"-11	7/8"	<b>875JAMNUT</b>
3/4"-10	1"	<b>1.00JAMNUT</b>
3/4"-10	1 1/8"	<b>1.12JAMNUT</b>
7/8"-9	1 1/4"	<b>1.25JAMNUT</b>
1"-8	1 3/8"	<b>1.37JAMNUT</b>
1 1/8"-7	1 1/2"	<b>1.50JAMNUT</b>
1 1/4"-7	1 3/4"	<b>1.75JAMNUT</b>
1 1/2"-6	2"	<b>2.00JAMNUT</b>
1 3/4"-5	2 1/2"	<b>2.50JAMNUT</b>
2"-4 1/2	2 3/4"	<b>2.75JAMNUT</b>
2 1/4"-4 1/2	3"	<b>3.00JAMNUT</b>
2 1/2"-4	3 1/2"	<b>3.50JAMNUT</b>





Shaft Keystocks

Features:

- sold by the foot
- available up to 6' lengths



Size, Square	Brass Part #
3/16"	<b>KEYS18X1FT</b>
1/4"	<b>KEYS25X1FT</b>
5/16"	<b>KEYS31X1FT</b>
3/8"	<b>KEYS37X1FT</b>
7/16"	<b>KEYS43X1FT</b>
1/2"	<b>KEYS50X1FT</b>
9/16"	<b>KEYS56X1FT</b>
5/8"	<b>KEYS62X1FT</b>
3/4" X 5/8"	<b>KEYS75X1FT</b>

Prop Knockers

Feature:

- propeller removal tool



Thread Size	Shaft Size	Weight lbs.	Cast Bronze Part #
3/4"-10	1"	1.20	<b>00PK100</b>
7/8"-9	1 1/4"	1.35	<b>00PK125</b>
1"-8	1 3/8"	4.20	<b>00PK138</b>
1 1/8"-7	1 1/2"	5.05	<b>00PK150</b>
1 1/4"-7	1 3/4"	4.10	<b>00PK175</b>
1 1/2"-6	2"	4.65	<b>00PK200</b>
1 3/4"-5	2 1/2"	6.65	<b>00PK250</b>
2"-4 1/2	2 3/4"	5.50	<b>00PK275</b>
2 1/4"-4 1/2	3"	9.55	<b>00PK300</b>

Shaft Collars

Feature:

- two setscrews included



Shaft Diameter	Outside Diameter	Overall Height	Weight lbs.	316 Stainless Steel Part #
1"	1 3/4"	5/8"	0.25	<b>70RC100</b>
1 1/8"	1 3/4"	5/8"	0.25	<b>70RC113</b>

Hydrasearch manufactures a full line of transmission couplers for most marine transmissions. Our couplers are cast from ductile iron and machined to SAE J755 specifications. Most of our couplers are machined with our universal bolthole pattern. All of our couplers are supplied with mounting hardware. We also offer custom machining for any couplers we do not produce standard. We carry an extensive inventory in order to better supply our distributors and OEMs.

The following charts can be used to help identify the coupler you need. The first chart is categorized by transmission manufacturer, while the second chart is categorized by flange diameter. Please feel free to contact our knowledgeable sales staff for assistance at 410-643-7145 or [information@hydrasearch.com](mailto:information@hydrasearch.com).

A - Overall Length

B - Male Pilot (M type)

C - Female Pilot (F type)

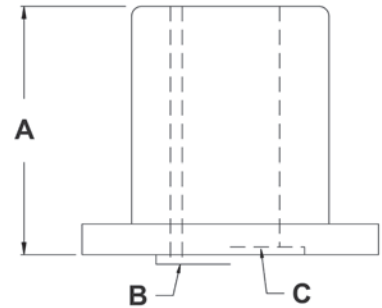
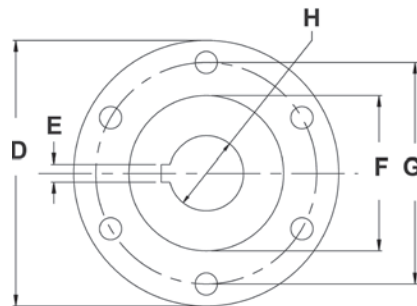
D - Flange Diameter

E - Keyway Width

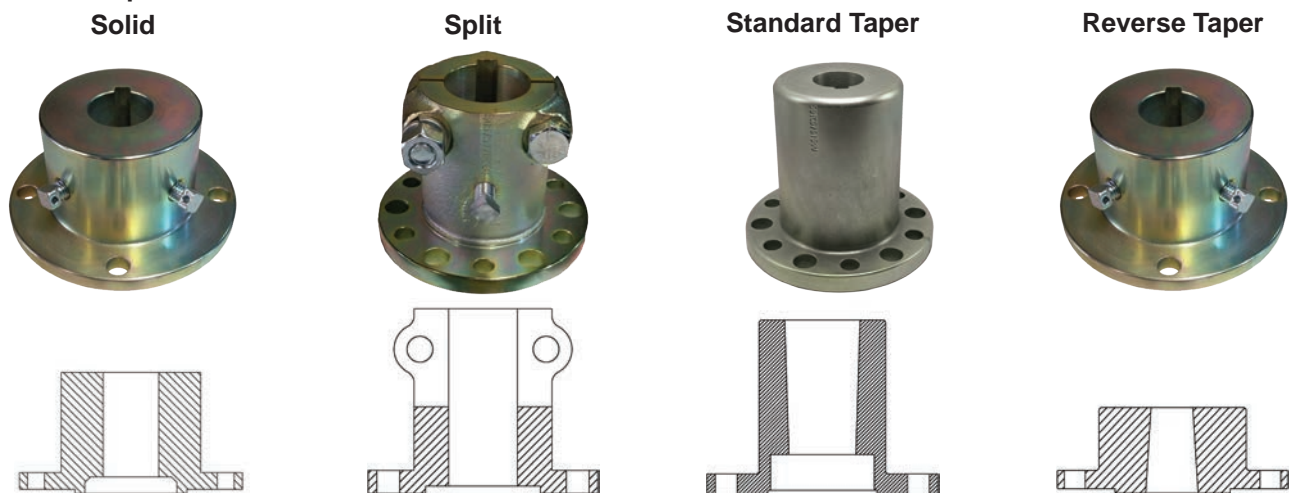
F - Pilot Diameter

G - Bolt Circle Diameter

H - Shaft Diameter



### Types of couplers offered:



**Part Number Conversion** - The part numbers listed on the following pages are only a prefix. The complete part number will need a suffix number shown at left. Example: Prefix 50mc005 + shaft size of 1¼"(125). The complete number would be 50mc005125.

### Keyway Sizes

Shaft Diameter	Key Size
¾"	3/16"
7/8"-1 1/8"	¼"
1 ¼"-1 3/8"	5/16"
1 ½"	3/8"
1 ¾"	7/16"
2"	½"
2 ¼"	9/16"
2 ½"-2 ¾"	5/8"
3"-3 ¼"	¾"
3 ½"-3 ¾"	7/8"
4"	1"

Shaft Diameter	Key Size
¾"	075
7/8"	087
1"	100
1/8"	112
1 ¼"	125
1 3/8"	129
1 ½"	150
1 ¾"	175

Shaft Diameter	Key Size
2"	200
2 ¼"	225
2 ½"	250
2 ¾"	275
3"	300
3 ¼"	325
3 ½"	350
3 ¾"	375
4"	400

### Flange Puller



- Features:**
- coupler removal tool
  - 3/4" bolt included

Flange Diameter	Weight lbs.	Cast Iron Part #
5"	2.75	<b>50MCP00500</b>

### Coupler Flange Bolt Sets



- Features:**
- bolts, nuts and Grade 5 lock washers included
  - sold in packs

Bolt Size	Package Qty.	Bronze Part #
3/8"-24 x 1 1/2"	4	<b>BOLTSET375</b>
7/16"-20 x 1 1/2"	4	<b>BOLTSET437</b>
1/2"-20 x 2"	6	<b>BOLTSET500</b>
5/8"-18 x 2"	6	<b>BOLTSET626</b>
3/4"-16 x 2 3/4"	8	<b>BOLTSET750</b>
7/8"-14 x 2 3/4"	8	<b>BOLTSET875</b>
1"-14 x 3"	8	<b>BOLTSET100</b>

#### Metric

- Features:**
- bolts, nuts and Grade 8.8 lock washers included
  - sold in packs

Bolt Size	Package Qty.	Bronze Part #
10mm x 40mm	4	<b>BOLTSET10M</b>
12mm x 40mm	6	<b>BOLTSET12M</b>
16mm x 50mm	6, 8, 10 or 12	<b>BOLTSET16M</b>
18mm x 70mm	10	<b>BOLTSET18M</b>
20mm x 80mm	10	<b>BOLTSET20M</b>

### Split Coupler Pinch Bolt Sets



- Features:**
- bolts, nuts and Grade 5 lock washers included
  - sold in pairs

Bolt Size	Part #
5/16"-24 x 1 3/4"	<b>PINCH312</b>
7/16"-20 x 2 1/2"	<b>PINCH432</b>
1/2"-20 x 3"	<b>PINCH500</b>
5/8"-18 x 3"	<b>PINCH625</b>
3/4"-16 x 4 1/2"	<b>PINCH750</b>
3/4"-14 x 5 1/4"	<b>PINCH751</b>

### Setscrews

- Feature:**
- zinc plated Grade 5 steel



Bolt Size	Part #
3/8"-16 x 1"	<b>SETSCEW370</b> <sup>1</sup>
3/8"-16 x 1 1/4"	<b>SETSCEW375</b> <sup>1</sup>
1/2"-13 x 1 1/4"	<b>SETSCEW500</b>
5/8"-11 x 1 1/2"	<b>SETSCEW625</b>
3/4"-10 x 1 3/4"	<b>SETSCEW750</b>

<sup>1</sup> Setscrews come with drilled heads. Drilled heads unavailable unless otherwise shown.

## Allison

Flange Diameter	Shaft Range	# of Bolts	Bolt Size	Bolt Circle	Pilot	Overall Length	Solid Part #	Split Part #	Taper Part #
5¾"	1½"	6	½"	4¾"	3" x ¼" F	5"	---	---	50TC575
5¾"	1¾"-2¼"	6	½"	4¾"	3" x ¼" F	6½"	---	---	50TC575
5¾"	1½"-2"	6	½"	4¾"	3" x ¼" F	4½"	50MC573	---	---
5¾"	1¼"-2¼"	6	½"	4¾"	3" x ¼" F	5¾ <sub>32</sub> "	---	505751	---
5¾"	2½"	6	½"	4¾"	3" x ¼" F	5¾ <sub>32</sub> "	---	505751	---
7¼"	1¾"-2½"	6	⅝"	6"	3¾" x ¼" F	7¼"	---	---	50TC725
7¼"	2"-2½"	6	⅝"	6"	3¾" x ¼" F	7¾"	---	---	50TC725
7¼"	1¼"-1¾"	6	⅝"	6"	3¾" x ¼" F	4¾"	---	50725A	---
7¼"	2"-2½"	6	⅝"	6"	3¾" x ¼" F	5½"	---	50725B	---
9"	2"-3"	8	¾"	7½"	6" x ¼" F	7¾"	---	---	50TC900
9"	1½"-3"	8	¾"	7½"	6" x ¼" F	5½"	---	509001	---

## Atomic Four (Universal)

Flange Diameter	Shaft Range	# of Bolts	Bolt Size	Bolt Circle	Pilot	Overall Length	Solid Part #	Split Part #	Taper Part #
3.410"	⅞"-1⅛"	3	⅜"	2¾"	1⅞" x ¼" F	2.437"	50MC3500	---	---

## Borg Warner

Flange Diameter	Shaft Range	# of Bolts	Bolt Size	Bolt Circle	Pilot	Overall Length	Solid Part #	Split Part #	Taper Part #
4"	¾"-1½"	4	⅜"	3¼"	2½" x ⅜ <sub>32</sub> " M	2¼"	50MC004	---	---
4"	¾"-1¼"	4	⅜"	3¼"	2½" x ⅜ <sub>32</sub> " M	2"	---	50401S	---
4"	⅞"-1½"	4	⅜"	3¼"	2½" x ⅜ <sub>32</sub> " M	3 <sup>7</sup> / <sub>16</sub> "	---	50400B	---
4"	¾"-1½"	4	⅜"	3¼"	2½" x ⅜ <sub>16</sub> " M	2¼"	50MCF004	---	---
5"	1"-2"	4	7 <sub>16</sub> "	4¼"	2½" x ⅜ <sub>32</sub> " M	5 <sup>5</sup> / <sub>8</sub> "	50MC005	---	---
5"	1"-1½"	4	7 <sub>16</sub> "	4¼"	2½" x ¼" F	2 <sup>5</sup> / <sub>8</sub> "	50MCF005	---	---
5"	1"-1½"	4	7 <sub>16</sub> "	4¼"	2½" x ⅜ <sub>32</sub> " M	3 <sup>7</sup> / <sub>16</sub> "	---	50500A	---
5"	1½"-2"	4	7 <sub>16</sub> "	4¼"	2½" x ⅜ <sub>32</sub> " M	4"	---	50500C	---
5"	1"-1½"	4	7 <sub>16</sub> "	4¼"	2½" x ⅜ <sub>32</sub> " M	2½"	---	50500S	---
5"	1¼"	4	7 <sub>16</sub> "	4¼"	2½" x ⅜ <sub>32</sub> " M	3 <sup>7</sup> / <sub>8</sub> "	---	---	50TC500
5"	1⅝"	4	7 <sub>16</sub> "	4¼"	2½" x ⅜ <sub>32</sub> " M	4¼"	---	---	50TC500
5"	1½"-1¾"	4	7 <sub>16</sub> "	4¼"	2½" x ⅜ <sub>32</sub> " M	5"	---	---	50TC500
5"	1¼"-1¾"	4	7 <sub>16</sub> "	4¼"	2½" x ⅜ <sub>32</sub> " M	2¾"	---	---	50TC005 <sup>1</sup>
5¾"	1½"	6	½"	4¾"	3" x ¼" F	5"	---	---	50TC575
5¾"	1¾"-2¼"	6	½"	4¾"	3" x ¼" F	6½"	---	---	50TC575
5¾"	1½"-2"	6	½"	4¾"	3" x ¼" F	4½"	50MC573	---	---
5¾"	1¼"-2¼"	6	½"	4¾"	3" x ¼" F	5¾ <sub>32</sub> "	---	505751	---
5¾"	2½"	6	½"	4¾"	3" x ¼" F	5¾ <sub>32</sub> "	---	505751	---

<sup>1</sup> reverse taper bore

## Capitol

Shafting &amp; Accessories

Flange Diameter	Shaft Range	# of Bolts	Bolt Size	Bolt Circle	Pilot	Overall Length	Solid Part #	Split Part #	Taper Part #
4¾"	1"-1½"	6	7/16"	3⅞"	2½" x 3/16" F	3½"	---	<b>50475A</b>	---
4¾"	1½"-2"	6	7/16"	3⅞"	2½" x 3/16" F	4"	---	<b>50475B</b>	---
4¾"	1¼"-1½"	6	7/16"	3⅞"	2½" x 3/16" F	3⅝"	<b>50MC4725</b>	---	---
4¾"	1⅜"-1¾"	6	7/16"	3⅞"	2½" x 3/16" F	4¾"	---	---	<b>50TC475</b>
5¾"	1½"	6	½"	4¾"	3" x ¼" F	5"	---	---	<b>50TC575</b>
5¾"	1¾"-2¼"	6	½"	4¾"	3" x ¼" F	6½"	---	---	<b>50TC575</b>
5¾"	1½"-2"	6	½"	4¾"	3" x ¼" F	4½"	<b>50MC573</b>	---	---
5¾"	1¼"-2¼"	6	½"	4¾"	3" x ¼" F	5¾"	---	<b>505751</b>	---
7¼"	1¾"-2½"	6	⅝"	6"	3¾" x ¼" F	7¼"	---	---	<b>50TC725</b>
7¼"	2"-2½"	6	⅝"	6"	3¾" x ¼" F	7¾"	---	---	<b>50TC725</b>
7¼"	1¼"-1¾"	6	⅝"	6"	3¾" x ¼" F	4¾"	---	<b>50725A</b>	---
7¼"	2"-2½"	6	⅝"	6"	3¾" x ¼" F	5½"	---	<b>50725B</b>	---

## Hurth

Flange Diameter	Shaft Range	# of Bolts	Bolt Size	Bolt Circle	Pilot	Overall Length	Solid Part #	Split Part #	Taper Part #
4"	¾"-1½"	4	⅜"	3¼"	2½" x 3/32" M	2¼"	<b>50MC004</b>	---	---
4"	¾"-1¼"	4	⅜"	3¼"	2½" x 3/32" M	2"	---	<b>50401S</b>	---
4"	⅞"-1½"	4	⅜"	3¼"	2½" x 3/32" M	3¾"	---	<b>50400B</b>	---
5"	1"-2"	4	7/16"	4¼"	2½" x 3/32" M	2⅝"	<b>50MC005</b>	---	---
5"	1"-1½"	4	7/16"	4¼"	2½" x 3/32" M	3¾"	---	<b>50500A</b>	---
5"	1"-2"	4	7/16"	4¼"	2½" x 3/32" M	4"	---	<b>50500C</b>	---
5"	1¼"	4	7/16"	4¼"	2½" x 3/32" M	3⅞"	---	---	<b>50TC500</b>
5"	1⅜"	4	7/16"	4¼"	2½" x 3/32" M	4¼"	---	---	<b>50TC500</b>
5"	1½"-1¾"	4	7/16"	4¼"	2½" x 3/32" M	5"	---	---	<b>50TC500</b>

## Newage

Flange Diameter	Shaft Range	# of Bolts	Bolt Size	Bolt Circle	Pilot	Overall Length	Solid Part #	Split Part #	Taper Part #
5"	1"-2"	4	7/16"	4¼"	2½" x 3/32" M	2⅝"	<b>50MC005</b>	---	---
5"	1"-1½"	4	7/16"	4¼"	2½" x 3/32" M	3¾"	---	<b>50500A</b>	---
5"	1½"-2"	4	7/16"	4¼"	2½" x 3/32" M	4"	---	<b>50500C</b>	---
5"	1¼"	4	7/16"	4¼"	2½" x 3/32" M	3⅞"	---	---	<b>50TC500</b>
5"	1⅜"	4	7/16"	4¼"	2½" x 3/32" M	4¼"	---	---	<b>50TC500</b>
5"	1½"-1¾"	4	7/16"	4¼"	2½" x 3/32" M	5"	---	---	<b>50TC500</b>
5¾"	1½"	6	½"	4¾"	3"-¼" F	5"	---	---	<b>50TC575</b>
5¾"	1¾"-2¼"	6	½"	4¾"	3"-¼" F	6½"	---	---	<b>50TC575</b>
5¾"	1½"-2"	6	½"	4¾"	3"-¼" F	4½"	<b>50MC573</b>	---	---
5¾"	1¼"-2¼"	6	½"	4¾"	3"-¼" F	5¾"	---	<b>505751</b>	---
7¼"	1¾"-2½"	6	⅝"	6"	3¾" x ¼" F	7¼"	---	---	<b>50TC725</b>
7¼"	1¾"-2½"	6	⅝"	6"	3¾"-¼" F	7¾"	---	---	<b>50TC725</b>
7¼"	1¼"-1¾"	6	⅝"	6"	3¾"-¼" F	4¾"	---	<b>50725A</b>	---
7¼"	2"-2½"	6	⅝"	6"	3¾"-¼" F	5½"	---	<b>50725B</b>	---

## Paragon

Flange Diameter	Shaft Range	# of Bolts	Bolt Size	Bolt Circle	Pilot	Overall Length	Solid Part #	Split Part #	Taper Part #
4"	1"-1½"	4	⅜"	3¼"	2" x ⅜" M	3 <sup>7</sup> / <sub>16</sub> "	---	<b>50400A</b>	---
4"	7 <sup>7</sup> / <sub>8</sub> "-1¼"	4	⅜"	3¼"	2" x ⅜" M	2"	---	<b>50400S</b>	---
4"	¾"-1 <sup>3</sup> / <sub>8</sub> "	4	⅜"	3¼"	2" x ⅜" M	2¼"	<b>50MC4020</b>	---	---
4"	1"-1½"	4	⅜"	3¼"	2 <sup>5</sup> / <sub>8</sub> " x ⅜" M	3 <sup>7</sup> / <sub>16</sub> "	---	<b>50400C</b>	---
4"	1"-1¼"	4	⅜"	3¼"	2 <sup>5</sup> / <sub>8</sub> " x ⅜" M	2"	---	<b>50402S</b>	---
4"	¾"-1 <sup>3</sup> / <sub>8</sub> "	4	⅜"	3¼"	2 <sup>5</sup> / <sub>8</sub> " x ⅜" M	2¼"	<b>50MC4026</b>	---	---
4½"	1"-1 <sup>3</sup> / <sub>4</sub> "	4	⅜"	3¼"	2 <sup>5</sup> / <sub>8</sub> " x ⅜" M	2 <sup>5</sup> / <sub>8</sub> "	<b>50MC4526</b>	---	---
5"	1"-1½"	4	⅜"	4 <sup>1</sup> / <sub>8</sub> "	2 <sup>3</sup> / <sub>4</sub> " x ⅜" M	3 <sup>7</sup> / <sub>16</sub> "	---	<b>50500B</b>	---
5"	1"-1½"	4	⅜"	4 <sup>1</sup> / <sub>8</sub> "	2 <sup>3</sup> / <sub>4</sub> " x ⅜" M	2½"	---	<b>50501S</b>	---

## Twin Disc

Flange Diameter	Shaft Range	# of Bolts	Bolt Size	Bolt Circle	Pilot	Overall Length	Solid Part #	Split Part #	Taper Part #
4¾"	1"-1½"	6	7 <sup>1</sup> / <sub>16</sub> "	3 <sup>7</sup> / <sub>8</sub> "	2½" x ⅜" F	3½"	---	<b>50475A</b>	---
4¾"	1½"-2"	6	7 <sup>1</sup> / <sub>16</sub> "	3 <sup>7</sup> / <sub>8</sub> "	2½" x ⅜" F	4"	---	<b>50475B</b>	---
4¾"	1¼"-1½"	6	7 <sup>1</sup> / <sub>16</sub> "	3 <sup>7</sup> / <sub>8</sub> "	2½" x ⅜" F	3 <sup>5</sup> / <sub>8</sub> "	<b>50MC4725</b>	---	---
4¾"	1 <sup>3</sup> / <sub>8</sub> "-1¼"	6	7 <sup>1</sup> / <sub>16</sub> "	3 <sup>7</sup> / <sub>8</sub> "	2½" x ⅜" F	4 <sup>3</sup> / <sub>16</sub> "	---	---	<b>50TC475</b>
5"	1"-1½"	8	⅜"	4 <sup>1</sup> / <sub>8</sub> "	2½" x ⅜" M	3 <sup>7</sup> / <sub>16</sub> "	---	<b>50501A</b>	---
5"	1¼"-1 <sup>3</sup> / <sub>4</sub> "	8	⅜"	4 <sup>1</sup> / <sub>8</sub> "	2½" x ⅜" M	5 <sup>3</sup> / <sub>32</sub> "	---	---	<b>50TC501</b>
5¾"	1¼"-2¼"	6	⅝"	4¾"	3" x ¼" F	5 <sup>3</sup> / <sub>32</sub> "	---	<b>505752</b>	---
5¾"	1½"-2"	6	⅝"	4¾"	3" x ¼" F	4½"	<b>50MC574</b>	---	---
5¾"	1½"	6	⅝"	4¾"	3" x ¼" F	5"	---	---	<b>50TC576</b>
5¾"	1¾"-2¼"	6	⅝"	4¾"	3" x ¼" F	6½"	---	---	<b>50TC576</b>
7¼"	1¼"-1¾"	6	¾"	6"	3¾" x ¼" F	4 <sup>3</sup> / <sub>8</sub> "	---	<b>50726A</b>	---
7¼"	2"-2½"	6	¾"	6"	3¾" x ¼" F	5½"	---	<b>50726B</b>	---
7¼"	1¾"-2½"	6	¾"	6"	3¾" x ¼" F	7¾"	---	---	<b>50TC726</b>
9"	2"-3"	8	7 <sup>8</sup> / <sub>16</sub> "	7½"	6" x ¼" F	7¾"	---	---	<b>50TC901</b>
9"	1½"-3"	8	7 <sup>8</sup> / <sub>16</sub> "	7½"	6" x ¼" F	5½"	---	<b>509002</b>	---
10½"	2½"-4"	8	1"	8¾"	5" x ¼" F	6½"	---	<b>501050</b>	---
10½"	2½"-4"	8	1"	8¾"	5" x ¼" F	8"	---	---	<b>50TC1050</b>

## Volvo Penta

Flange Diameter	Shaft Range	# of Bolts	Bolt Size	Bolt Circle	Pilot	Overall Length	Solid Part #
3.945"	¾"-1¼"	4	10mm	3.142"	2.366" x ⅜" F	2 <sup>17</sup> / <sub>32</sub> "	<b>50MVP400</b>



## Yanmar

Flange Diameter	Shaft Range	# of Bolts	Bolt Size	Bolt Circle	Pilot	Overall Length	Solid Part #	Split Part #	Taper Part #
4"	¾"-1¼"	4	10mm	3.070"	1.966" x 5/32" M	2"	---	<b>50400YS</b>	---
4"	¾"-1⅜"	4	10mm	0.070"	1.966" x 5/32" M	2¼"	<b>50MCY004</b>	---	---
4¾"	1"-1½"	4	10mm	3.937"	2.556" x 1/8" M	37/16"	---	<b>50500YS</b>	---
4¾"	1"-1¾"	4	10mm	3.937"	2.556" x 1/8" M	2⅜"	<b>50MCY005</b>	---	---

## ZF

Flange Diameter	Shaft Range	# of Bolts	Bolt Size	Bolt Circle	Pilot	Overall Length	Solid Part #	Split Part #	Taper Part #
4¾"	1"-1½"	6	12mm	37/8"	2½" x 3/16" F	3½"	---	<b>50476A</b>	---
4¾"	1½"-2"	6	12mm	37/8"	2½" x 3/16" F	4"	---	<b>50476B</b>	---
4¾"	1¼"-1½"	6	12mm	37/8"	2½" x 3/16" F	3⅝"	<b>50MC4726</b>	---	---
4¾"	1⅜"-1¾"	6	12mm	37/8"	2½" x 3/16" F	4⅜/16"	---	---	<b>50TC476</b>
5¾"	1½"-2"	6	16mm	4¾"	3" x ¼" F	4½"	<b>50MC574</b>	---	---
5¾"	1¼"-2¼"	6	5/8"	4¾"	3" x ¼" F	4⅜/16"	---	<b>505752</b>	---
5¾"	1½"	6	5/8"	4¾"	3" x ¼" F	5"	---	---	<b>50TC576</b>
5¾"	1¾"-2¼"	6	5/8"	4¾"	3" x ¼" F	6½"	---	---	<b>50TC576</b>
6.10"	1¾"-2½"	10	5/8"	4.921"	3.94" x 0.215" F	5"	---	<b>50610B</b>	---
6.10"	2"-2¼"	10	5/8"	4.921"	3.94" x 0.215" F	6½"	---	---	<b>50TC610</b>
6.69"	1¾"-2½"	12	16mm	5.512"	4.530" x 9/32" F	5"	---	<b>50669</b>	---
6.69"	2"	12	16mm	5.512"	4.530" x 9/32" F	6½"	---	---	<b>50TC669</b>
6.69"	2¼"-3"	12	16mm	5.512"	4.530" x 9/32" F	7½"	---	---	<b>50TC669</b>
7.283"	2"-2¼"	12	18mm	6.122"	4.725" x 9/32" F	6½"	---	---	<b>50TC725G</b>
7.283"	2½"-3"	12	18mm	6.122"	4.725" x 9/32" F	7½"	---	---	<b>50TC725G</b>
7¼"	2"-2½"	8	16mm	6"	3¾" x ¼" F	5⅝"	---	<b>50725BZF</b>	---
7¼"	1¾"-2½"	8	16mm	6"	3¾" x ¼" F	7¾"	---	---	<b>50TC72ZF</b>
8.07"	1½"-2¾"	10	18mm	6.693"	5.512" x 9/32" F	5½"	---	<b>50807ZF</b>	---
8.07"	2"-2½"	12	18mm	6.693"	5.512" x 9/32" F	7¾"	---	---	<b>50TC807</b>
10½"	2½"-4"	8	1"	8¾"	5" x ¼" F	6½"	---	<b>501050</b>	---
10½"	2¼"-4"	8	1"	8¾"	5" x ¼" F	8"	---	---	<b>50TC1050</b>

## Transmission Guide

Flange Diameter	Transmission	Model #	Pilot M/F	# of Bolts	Bolt Diameter	Bolt Circle	Solid Part #	Split Part #	Taper Part #
3.410"	Universal	Atomic 4	1.876"/F	3	3/8"	2 3/4"	<b>50MC3500</b>	---	---
3.945"	Volvo Penta	MB10A, MD38, MD7A, MD11C	2.362"/F	4	3/8"	3.49"	<b>50MVP400</b>	---	---
4"	Hurth	HBW5, 10, 20, 50, 100, 125, 125H, 150, 150A, 150V, 220, 250, HSW450D, 250H, 250A	2 1/2"/M	4	3/8"	3 1/4"	<b>50MC004</b>	<b>50401S</b> <b>50400B</b>	---
4"	Borg Warner	70C, 1017, 1023, 2301	2 1/2"/M	4	3/8"	3 1/4"	<b>50MC004</b>	<b>50401S</b> <b>50400B</b>	---
4"	Newage	PRM Delta	2 1/2"/M	4	3/8"	3 1/4"	<b>50MC004</b>	<b>50401S</b> <b>50400B</b>	---
4"	Paragon	HF, HB, RD	2"/M	4	3/8"	3 1/4"	<b>50MC4020</b>	<b>50400S</b> <b>50400A</b>	---
4"	Paragon	P-200, P-300, P-13, PV-300	2 5/8"/M	4	3/8"	3 1/4"	<b>50MC4026</b>	---	---
4"	ZF	ZF5M, 10M, 12M, 12, 15M, 15MA, 15MIV, 25M, 25MA, 30M, 45C, 25, 25A, 45IV	2 1/2"/M	4	3/8"	3 1/4"	<b>50MC004</b>	<b>50401S</b> <b>50400B</b>	---
4 1/2"	Paragon	RA, PV400	2 5/8"/M	4	3/8"	3 3/4"	<b>50MC4526</b>	---	---
4 3/4"	Capitol	5HD200	2 1/2"/F	6	7/16"	3 7/8"	<b>50MC4725</b>	<b>50475A</b> <b>50475B</b>	<b>50TC475</b>
4 3/4"	Twin Disc	MG-502, 502-1	2 1/2"/F	6	7/16"	3 7/8"	<b>50MC4725</b>	<b>50475A</b> <b>50475B</b>	<b>50TC475</b>
4 3/4"	Yanmar	30M30H/G, KVH20, KHIS	2.556/M	4	10mm	3.937"	<b>50MCY005</b>	<b>50500YS</b>	---
4 3/4"	ZF	ZF220A, IRM220A1, IRM220A/V, ZF220V, IRM220V2, IRM225A	2 1/2"/F	6	12mm	3 7/8"	<b>50MC4726</b>	<b>50476A</b> <b>50476B</b>	<b>50TC476</b>
5"	Borg Warner	72C-1017, 1018, 1004, 1005, 1013, 1014, 2001	2 1/2"/M	4	7/16"	4 1/4"	<b>50MC005</b>	<b>50500A</b> <b>50500C</b>	<b>50TC500</b>
5"	Hurth	HS25A, HS45A, HS63IV, HSW630A, 630H, 630V, 880D, 450A2, 630D, 630A1, 630H1, 630V1, 90ATS, 90TS, 90VTS, 110TS, HSW630, 630A, 400, 450, 600, 630	2 1/2"/M	4	7/16"	4 1/4"	<b>50MC005</b>	<b>50500A</b> <b>50500C</b>	<b>50TC500</b>
5"	Newage	PRM 210/160	2 1/2"/M	4	7/16"	4 1/4"	<b>50MC005</b>	<b>50500A</b> <b>50500C</b>	<b>50TC500</b>
5"	Paragon	P-400	2 3/4"/M	4	3/8"	4 1/8"	<b>50MC5027</b>	<b>50500B</b> <b>50500D</b>	---
5"	Twin Disc	5010A, 5011A	2 1/2"/M	8	7/16"	4 1/8"	---	<b>50501A</b>	---
5"	Volvo Penta	MS, MS3, MS4A, MV2	2 1/2"/M	4	7/16"	4 1/4"	<b>50MC005</b>	<b>50500A</b> <b>50500C</b>	<b>50TC500</b>
5"	ZF	ZF88C, 45A, 63A, 63C, 90ATS, 90TS, 110TS, IRM41A2, 50A2, 50V2, 50V3, 501, 50A2/K3, 50V2/3LD	2 1/2"/M	4	7/16"	4 1/4"	<b>50MC005</b>	<b>50500A</b> <b>50500C</b>	<b>50TC500</b>
5 3/4"	Allison	n/a	3"/F	6	1/2"	4 3/4"	<b>50MC573</b>	<b>505751</b>	<b>50TC575</b>
5 3/4"	Borg Warner	n/a	3"/F	6	1/2"	4 3/4"	<b>50MC573</b>	<b>505751</b>	<b>50TC575</b>
5 3/4"	Capitol	2H3/4HE-10200, E/4H3-11200, M105, M125	3"/F	6	1/2"	4 3/4"	<b>50MC573</b>	<b>505751</b>	<b>50TC575</b>
5 3/4"	Hurth	HSW800A, 800V, 800VI, 110VTS	3"/F	6	1/2"	4 3/4"	<b>50MC573</b>	<b>505751</b>	<b>50TC575</b>
5 3/4"	Hurth	HSW800A2, 800A3, 110ATS	3"/F	6	5/8"	4 3/4"	<b>50MC574</b>	<b>505752</b>	---
5 3/4"	Newage	PRM302, 310, 401, 402, 500D, 601, 601A	3"/F	6	1/2"	4 3/4"	<b>50MC573</b>	<b>505751</b>	<b>50TC575</b>
5 3/4"	Twin Disc	MG506, 5061A, 5062V, 507, 5050, 5050A, 5050V, 5061, 506-1, 506A, 507-2, 507-1, 507A-1, 507A-2	3"/F	6	5/8"	4 3/4"	<b>50MC574</b>	<b>505752</b>	<b>50TC576</b>

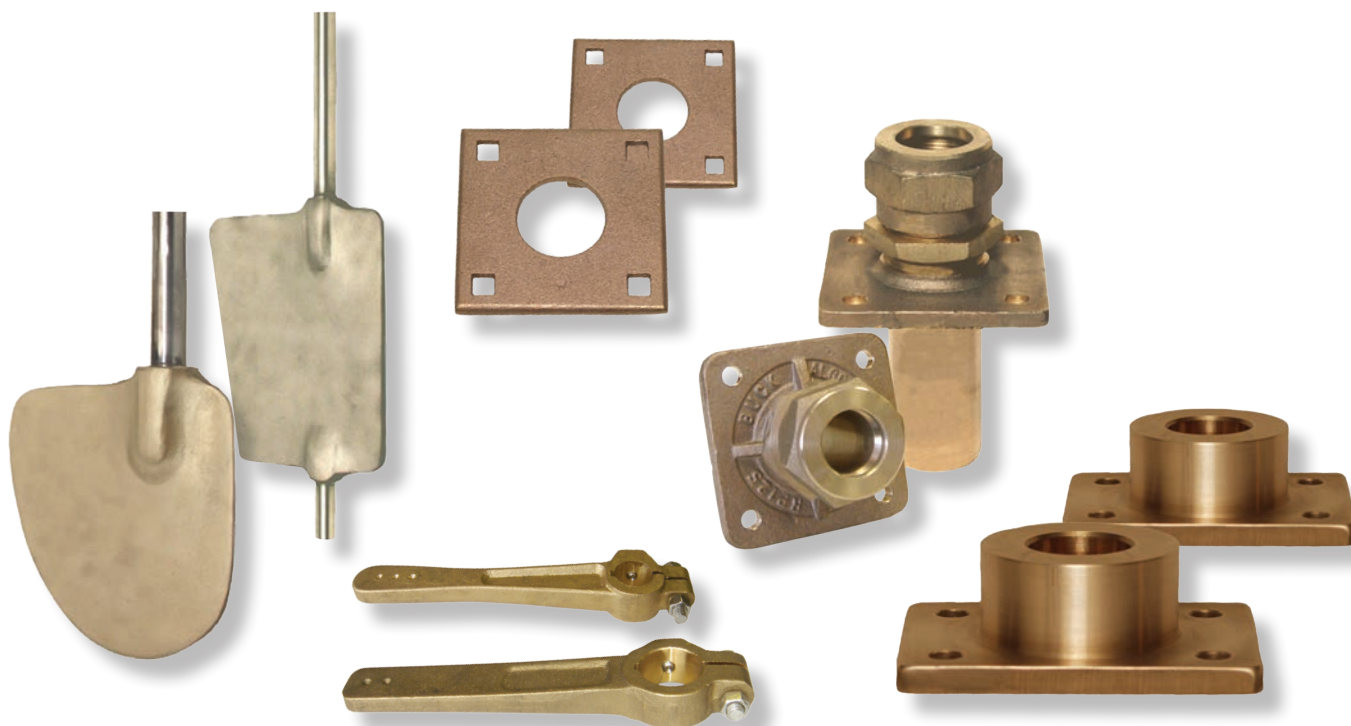
**Transmission Guide**

**Shafting & Accessories**

Flange Diameter	Transmission	Model #	Pilot M/F	# of Bolts	Bolt Diameter	Bolt Circle	Solid Part #	Split Part #	Taper Part #
5¾"	ZF	IRM,301, 220V/LD, ZF80IV, 85IV, 110IVTS, 220IV	3"/F	6	½"	4¾"	<b>50MC573</b>	<b>505751</b>	<b>50TC575</b>
5¾"	ZF	IRM220PL, 280A, 280V-LD-1, 300VTS, 301A-1, 301A-2,30, PL- 301PL-2, ZF80A, 85A, 110ATS, 220, 2801, 2801A, 280IV, 280A, 285A, 285IV, 286A, 286IV, 3001TS, 3001ATS, 300IVTS, 301A, 301C	3"/F	6	⅝"	4¾"	<b>50MC574</b>	<b>505752</b>	<b>50TC576</b>
6.10"	ZF	ZF3051, 305A, 3051A	3.94"/F	10	16mm	4.921"	---	<b>50610B</b>	<b>50TC610</b>
6.69"	ZF	ZF325ATS, 325IV, 325IVTS, 325TS, 3251, 3251A, IRM325A, 165PL	4.528"/F	12	16mm	5.512"	---	<b>50669</b>	<b>50TC669</b>
7¼"	Allison	M	3¾"/F	6	⅝"	6"	---	<b>50725A</b> <b>50725B</b>	<b>50TC725</b>
7¼"	Allison	M	3¾"/F	6	¾"	6"	---	<b>50726A</b> <b>50726B</b>	<b>50TC726</b>
7¼"	Capitol	4HE10700, 11700, HY22000, 24000, HY2500, HY6900	3¾"/F	6	⅝"	6"	---	<b>50725A</b> <b>50725B</b>	<b>50TC725</b>
7¼"	Capitol	D5072	3¾"/F	6	¾"	6"	---	<b>50726A</b> <b>50726B</b>	<b>50TC726</b>
7¼"	Newage	PRM60, 601, 601A	3¾"/F	6	⅝"	6"	---	<b>50725A</b> <b>50725B</b>	<b>50TC725</b>
7¼"	Twin Disc	MG506, 5065A, 507, 507-1, 507-2, 507A-1, 507A-2, 5075, 5075A, 5075IV, 5085, 509, 509-1SC, 508-1, 509-1, 5091V, 509-1SC, 5090A	3¾"/F	6	¾"	6"	---	<b>50726A</b> <b>50726B</b>	<b>50TC726</b>
7¼"	ZF	IRM310AL, V250M	3¾"/F	6	16mm	6"	---	<b>50725A</b> <b>50725B</b>	<b>50TC725</b>
7¼"	ZF	IRM302VLD1, 302V/6, 304A, 310A, 310PL, 311A, 311A-1, 311PL, 312TS, V250M, ZF302IV, 304A, 304C, 311A, 312TS	3¾"/F	8	16mm	6"	---	<b>50725BZF</b>	<b>50TC72ZF</b>
7.28"	ZF	BW190, 195, 195P, 2000A, 2060A, ZF2000, 2000A, ZF2000V, 2050, 2050A, 2050V, 2060, 2060A, 2060V, 2070, 2070V, 2150, 2150A, 2150V,	4.725"/F	12	18mm	6.122"	---	---	<b>50TC725G</b>
8.07"	ZF	BW155, 155A, 155ATS, 155TS, 155V, IRM311PL, 320, 320A, 350A, 350A-2, 350AL/PL, 350ATS, 350PL-2, 350TS, 350V-LD-1,350V, ZF311, ZF350, 350A, 350ATS, 350IV, 350TS, 350V, 500A, 500IV, 510A, 550, 550A, 550ATS, 550TS, 665, 665A, 665ATS, 665TS, 665V,	5.511"/F	10	18mm	6.692"	---	<b>50807ZF</b>	<b>50TC807</b>
9"	Allison	M20	6"/F	8	¾"	7½"	---	<b>509001</b>	<b>50TC900</b>
9"	Allison	MH, 15R-L	6"/F	8	⅞"	7½"	---	<b>509002</b>	<b>50TC901</b>
9"	Twin Disc	MG510A, 5111A, DD511, 510, 5111SC, 5114A, 5135A	6"/F	8	⅞"	7½"	---	<b>509002</b>	<b>50TC901</b>
9"	ZF	IRM320AL	6"/F	8	⅞"	7½"	---	<b>509002</b>	<b>50TC901</b>
10½"	Twin Disc	MG509, 512, 513, 514, 514C	5"/F	8	1"	8¾"	---	<b>501050</b>	<b>50TC1050</b>
10½"	ZF	IRM320LAV	5"/F	8	1"	8¾"	---	<b>501050</b>	<b>50TC1050</b>

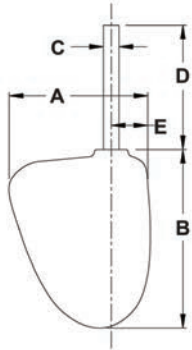
## Steering Hardware..... 77 - 90

Rudders.....	78-80	Square flange.....	84
Spade.....	78	Tournament.....	85
Special.....	79	Tournament low profile - gland style.....	85
Stepped shaft.....	79	Outside mount.....	86-87
High speed.....	79	Rectangular flange.....	86
Skeg.....	80	Square flange.....	86
Bearings.....	80	Angled.....	86
Reverse bearings.....	80	Backing plates.....	87
Collars.....	81	Rectangular flange.....	87
Bearing flanges.....	81	Square flange.....	87
Round flange.....	81	Tiller arms.....	88
Oval flange.....	81	Square shaft.....	88
Square flange.....	81	Split head.....	88
Rudder ports.....	82-87	Clevises.....	89
Dripless port spuds.....	82	Clevis eyes.....	89
Inside mount.....	82-85	Clevis pins.....	89
Rectangular flange.....	82	Swivel sockets.....	89
Tournament (82 series).....	83	Threaded balls.....	89
Tournament (86 series).....	83	Tie bars.....	89
Tournament (2905 series).....	84	AQ22 rudders.....	90



Rudders

Steering Hardware

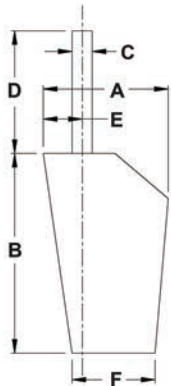


Features:

- stainless steel shaft cast into the blade
- rudder shafts do not come with keyways installed, keyways can be machined upon request
- stock shaft lengths shown, other lengths are available upon request

Blade Width (A)	Blade Length (B)	Shaft Diameter (C)	Shaft Length (D)	(E)	Weight lbs.	Bronze Part #
9½"	12"	1"	12"	2 <sup>13</sup> / <sub>16</sub> "	15.00	<b>10R2SS1.00</b>
9½"	12"	1⅛"	12"	2 <sup>13</sup> / <sub>16</sub> "	15.00	<b>10R2SS1.12</b>
9½"	12"	1¼"	12"	2 <sup>13</sup> / <sub>16</sub> "	15.00	<b>10R2SS1.25</b>
9½"	13"	1"	13"	2⅝"	15.00	<b>10R3SS1.00</b>
9½"	13"	1⅛"	13"	2⅝"	15.00	<b>10R3SS1.12</b>
9½"	13"	1¼"	13"	2⅝"	15.00	<b>10R3SS1.25</b>
11"	14"	1⅛"	16"	2⅝"	20.00	<b>10R3XSS1.1</b>
11"	14"	1¼"	16"	2⅝"	20.00	<b>10R3XSS1.2</b>
12"	16"	1¼"	18"	2¾"	26.00	<b>10R5SS1.25</b>
13"	18"	1¼"	20"	3⅞"	34.00	<b>10R6SS1.25</b>
13"	18"	1⅜"	20"	3⅞"	34.00	<b>10R6SS1.37</b>
13"	18"	1½"	20"	3⅞"	34.00	<b>10R6SS1.50</b>
13¾"	20"	1¼"	17"	3 <sup>5</sup> / <sub>16</sub> "	40.00	<b>10R7XSS1.2</b>
13¾"	20"	1⅜"	17"	3 <sup>5</sup> / <sub>16</sub> "	40.00	<b>10R7XSS1.3</b>
14½"	22"	1½"	24"	4¼"	60.00	<b>10R8SS1.50</b>
14½"	22"	1¾"	24"	4¼"	70.00	<b>10R8SS1.75</b>
14½"	22"	2"	24"	4¼"	71.00	<b>10R8SS2.00</b>

Spade Rudders



Features:

- stainless steel shaft cast into the blade
- rudder shafts do not come with keyways installed, keyways can be machined upon request
- stock shaft lengths shown, other lengths are available upon request

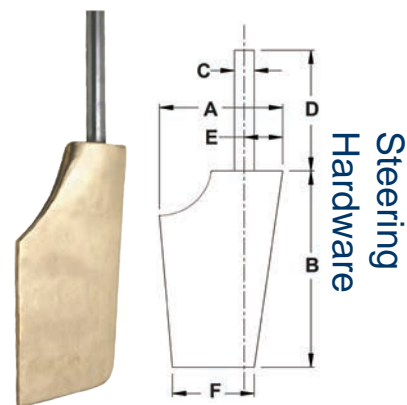
Blade Top (A)	Blade Length (B)	Shaft Diameter (C)	Shaft Length (D)	(E)	Blade Bottom (F)	Weight lbs.	Bronze Part #
10 <sup>5</sup> / <sub>16</sub> "	14"	1¼"	15¼"	2 <sup>3</sup> / <sub>8</sub> "	8 <sup>1</sup> / <sub>16</sub> "	20.00	<b>10R20SS1.2</b>
8½"	11½"	1¼"	12"	2 <sup>3</sup> / <sub>8</sub> "	6½"	16.00	<b>10R20MSS1</b>
10 <sup>5</sup> / <sub>16</sub> "	16"	1¼"	16¼"	2 <sup>3</sup> / <sub>8</sub> "	8 <sup>1</sup> / <sub>16</sub> "	24.00	<b>10R30SS1.2</b>
10¼"	17½"	1¼"	18½"	2 <sup>3</sup> / <sub>8</sub> "	7¼"	28.00	<b>10R30LSS1</b>
10¼"	17½"	1⅜"	16"	2 <sup>3</sup> / <sub>8</sub> "	7¼"	28.00	<b>10R30LSS13</b>
10"	20 <sup>3</sup> / <sub>16</sub> "	1¼"	18"	2½"	7"	37.00	<b>10R30L38SS</b>
10"	15½"	1¼"	16"	2⅛"	7¼"	24.00	<b>10R32SS1.2</b>
10"	15½"	1⅜"	16"	2⅛"	7¼"	24.00	<b>10R32SS1.3</b>
10"	21¾"	1⅜"	17"	2 <sup>3</sup> / <sub>8</sub> "	7"	29.00	<b>10R38SS1.3</b>
13½"	20½"	1¼"	20¼"	3½"	10⅞"	40.00	<b>10R40SS1.2</b>
13½"	20½"	1⅜"	20¼"	3½"	10⅞"	40.00	<b>10R40SS1.3</b>
13½"	20½"	1½"	20¼"	3½"	10⅞"	40.00	<b>10R40SS1.5</b>
16"	27 <sup>1</sup> / <sub>16</sub> "	2"	21"	3 <sup>3</sup> / <sub>8</sub> "	11½"	78.00	<b>10R50SS2.0</b>
12 <sup>9</sup> / <sub>16</sub> "	25¼"	1¾"	21"	3"	9 <sup>3</sup> / <sub>16</sub> "	63.00	<b>10R56SS1.7</b>
15½"	32"	2"	21"	3 <sup>3</sup> / <sub>8</sub> "	13⅞"	94.00	<b>10R58SS2.0</b>

### Special Rudders

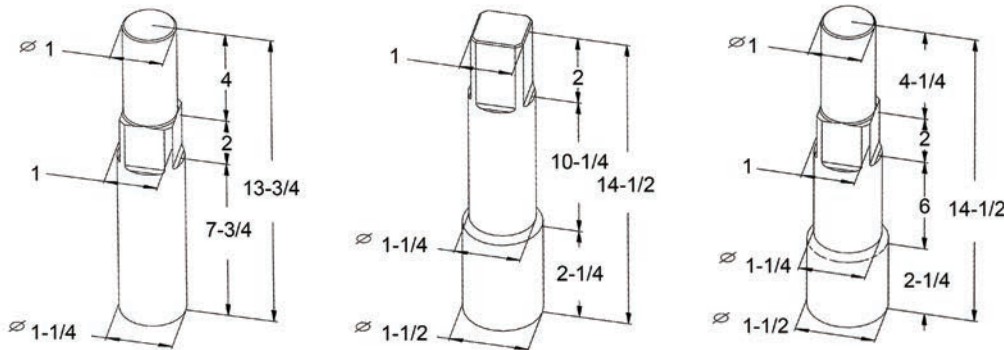
**Features:**

- stainless steel shaft cast into the blade
- rudder shafts do not come with keyways installed, keyways can be machined upon request
- stock shaft lengths shown, other lengths are available upon request

Blade Top (A)	Blade Length (B)	Shaft Diameter (C)	Shaft Length (D)	(E)	Blade Bottom (F)	Weight lbs.	Bronze Part #
10 <sup>3</sup> / <sub>8</sub> "	14"	1"	15"	2"	7 <sup>1</sup> / <sub>4</sub> "	12.00	<b>10R21MSS1</b>
10 <sup>1</sup> / <sub>2</sub> "	22"	1 <sup>3</sup> / <sub>4</sub> "	19"	3"	9 <sup>1</sup> / <sub>2</sub> "	50.00	<b>10R23MSS1</b>
9 <sup>1</sup> / <sub>2</sub> "	17"	1 <sup>1</sup> / <sub>4</sub> "	16"	2 <sup>1</sup> / <sub>2</sub> "	6 <sup>7</sup> / <sub>8</sub> "	16.00	<b>10R25MSS1</b>
8"	14 <sup>1</sup> / <sub>4</sub> "	1 <sup>1</sup> / <sub>4</sub> "	16 <sup>1</sup> / <sub>4</sub> "	2 <sup>5</sup> / <sub>16</sub> "	5 <sup>1</sup> / <sub>2</sub> "	14.00	<b>10R26MSS1</b>
13 <sup>1</sup> / <sub>2</sub> "	20"	1 <sup>1</sup> / <sub>2</sub> "	17"	5 <sup>3</sup> / <sub>4</sub> "	17 <sup>17</sup> / <sub>32</sub> "	70.00	<b>10R30MSS15</b>
9 <sup>3</sup> / <sub>4</sub> "	17 <sup>1</sup> / <sub>2</sub> "	1 <sup>1</sup> / <sub>4</sub> "	18 <sup>1</sup> / <sub>2</sub> "	2"	7 <sup>1</sup> / <sub>4</sub> "	24.00	<b>10R33ESS1</b>



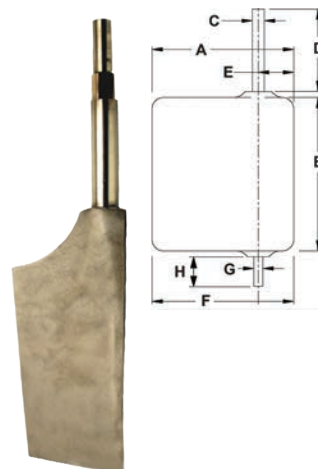
### Stepped Shaft Rudders



**Features:**

- stainless steel shaft cast into the blade

Blade Top (A)	Blade Length (B)	Shaft Diameter (C)	Shaft Length (D)	(E)	Blade Bottom (F)	Weight lbs.	Bronze Part #
8 <sup>1</sup> / <sub>4</sub> "	14 <sup>7</sup> / <sub>8</sub> "	Dia. 2	14 <sup>1</sup> / <sub>2</sub> "	1 <sup>1</sup> / <sub>2</sub> "	7"	25.00	<b>10R17312RD</b>
10 <sup>7</sup> / <sub>8</sub> "	17 <sup>7</sup> / <sub>8</sub> "	Dia. 3	14 <sup>1</sup> / <sub>2</sub> "	1 <sup>3</sup> / <sub>4</sub> "	18 <sup>13</sup> / <sub>16</sub> "	35.00	<b>10R1735RUD</b>

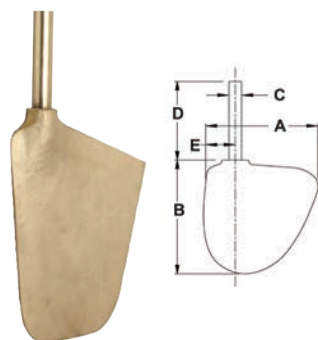


### High Speed Rudders

**Features:**

- stainless steel shaft cast into the blade
- rudder shafts do not come with keyways installed, keyways can be machined upon request
- stock shaft lengths shown, other lengths are available upon request

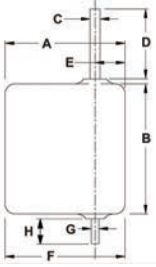
Blade Width (A)	Blade Length (B)	Shaft Diameter (C)	Shaft Length (D)	(E)	Weight lbs.	Bronze Part #
11 <sup>1</sup> / <sub>2</sub> "	16"	1 <sup>1</sup> / <sub>4</sub> "	18"	2 <sup>3</sup> / <sub>4</sub> "	26.00	<b>10R2HSSS1</b>
8 <sup>3</sup> / <sub>4</sub> "	13"	1"	12 <sup>3</sup> / <sub>4</sub> "	1 <sup>3</sup> / <sub>4</sub> "	14.00	<b>10R3HSSS1</b>
10"	13 <sup>1</sup> / <sub>2</sub> "	1 <sup>1</sup> / <sub>4</sub> "	14"	2 <sup>1</sup> / <sub>2</sub> "	15.00	<b>10R4HSSS1</b>
10"	13 <sup>1</sup> / <sub>2</sub> "	1 <sup>1</sup> / <sub>8</sub> "	15"	2 <sup>1</sup> / <sub>2</sub> "	16.00	<b>10R6HSSS1</b>
16"	24"	2"	21"	3 <sup>1</sup> / <sub>4</sub> "	55.00	<b>10R7HSSS2</b>





Skeg Rudders

Steering Hardware



Features:

- stainless steel shaft and pintle cast into the blade
- rudder shafts do not come with keyways installed, keyways can be machined upon request
- stock shaft lengths shown, other lengths are available upon request

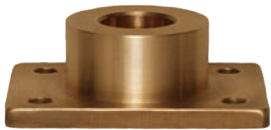
Blade Top (A)	Blade Length (B)	Shaft Diameter (C)	Shaft Length (D)	(E)	Blade Bottom (F)	Pintle Diameter (G)	Pintle Length (H)	Weight lbs.	Bronze Part #
11½"	14½"	1"	12"	2"	9½"	7⁄8"	3¼"	18.00	<b>10RS2SS1.0</b>
12"	14"	1⅛"	18"	3⅛"	12"	7⁄8"	2"	29.00	<b>10RS5BR1.1</b>
18"	18"	1"	12"	3"	18"	1"	3¾"	35.00	<b>10RS12SS1</b>
18"	20"	1¼"	18"	3"	18"	1"	4"	37.00	<b>10RS13SS1</b>
24"	22"	1½"	18"	3"	24"	1"	4"	79.00	<b>10RS19SS15</b>

Skeg Bearings



Bore Diameter	Bore Depth	Hub Diameter	Overall Height	Flange Width	Flange Length	Flange Thickness	Weight lbs.	Bronze Part #
1"	1"	2³⁄₁₆"	1⅜"	2⅞"	3⅞"	5⁄₁₆"	2.50	<b>83100</b>
1⅛"	1"	2³⁄₁₆"	1⅜"	2⅞"	3⅞"	5⁄₁₆"	2.50	<b>83112</b>
1¼"	1"	2³⁄₁₆"	1⅜"	2⅞"	3⅞"	5⁄₁₆"	2.50	<b>83125</b>
1⅜"	1"	2³⁄₁₆"	1⅜"	2⅞"	3⅞"	5⁄₁₆"	2.50	<b>83138</b>
1½"	1½"	2⅜"	2¹⁄₁₆"	3⅝"	5"	7⁄₁₆"	3.80	<b>83150</b>
1¾"	1¾"	2⅜"	2¹⁄₁₆"	3⅝"	5"	7⁄₁₆"	5.75	<b>83175</b>
2"	1¾"	2⅜"	2¹⁄₁₆"	3⅝"	5"	7⁄₁₆"	5.70	<b>83200</b>
2¼"	2½"	3"	2¹⁵⁄₁₆"	6"	6"	7⁄₁₆"	11.20	<b>83225</b>
2½"	2½"	3"	2¹⁵⁄₁₆"	6"	6"	7⁄₁₆"	11.15	<b>83250</b>

Reverse Skeg Bearings



Bore Diameter	Bore Depth	Hub Diameter	Overall Height	Flange Width	Flange Length	Flange Thickness	Weight lbs.	Bronze Part #
1"	1"	2³⁄₁₆"	1⅜"	2⅞"	3⅞"	5⁄₁₆"	2.50	<b>83100R</b>
1⅛"	1"	2³⁄₁₆"	1⅜"	2⅞"	3⅞"	5⁄₁₆"	2.50	<b>83112R</b>
1¼"	1"	2³⁄₁₆"	1⅜"	2⅞"	3⅞"	5⁄₁₆"	2.50	<b>83125R</b>
1⅜"	1"	2³⁄₁₆"	1⅜"	2⅞"	3⅞"	5⁄₁₆"	2.50	<b>83138R</b>
1½"	1½"	2⅜"	2¹⁄₁₆"	3⅝"	5"	7⁄₁₆"	3.80	<b>83150R</b>
1¾"	1¾"	2⅜"	2¹⁄₁₆"	3⅝"	5"	7⁄₁₆"	5.75	<b>83175R</b>
2"	1¾"	2⅜"	2¹⁄₁₆"	3⅝"	5"	7⁄₁₆"	5.70	<b>83200R</b>
2¼"	2½"	3"	2¹⁵⁄₁₆"	6"	6"	7⁄₁₆"	11.20	<b>83225R</b>
2½"	2½"	3"	2¹⁵⁄₁₆"	6"	6"	7⁄₁₆"	11.15	<b>83250R</b>

## Rudder Collars

## Feature:

- setscrew included

Shaft Size	Outside Diameter	Overall Height	Weight lbs.	Bronze Part #
1"	1¾"	1"	0.45	<b>00RC100</b>
1⅛"	1¾"	1"	0.75	<b>00RC113</b>
1¼"	2"	1"	0.65	<b>00RC125</b>
1⅜"	2¼"	1"	1.20	<b>00RC138</b>
1½"	2 <sup>5</sup> / <sub>16</sub> "	1 <sup>13</sup> / <sub>16</sub> "	1.15	<b>00RC150</b>
1¾"	2 <sup>11</sup> / <sub>16</sub> "	1 <sup>11</sup> / <sub>16</sub> "	1.15	<b>00RC175</b>
2"	2 <sup>15</sup> / <sub>16</sub> "	1 <sup>5</sup> / <sub>8</sub> "	2.90	<b>00RC200</b>
2¼"	3 <sup>3</sup> / <sub>8</sub> "	1 <sup>5</sup> / <sub>8</sub> "	3.00	<b>00RC225</b>
2½"	3 <sup>3</sup> / <sub>8</sub> "	1 <sup>5</sup> / <sub>8</sub> "	2.80	<b>00RC250</b>
2¾"	4½"	2"	6.00	<b>00RC275</b>
3"	4½"	2"	5.50	<b>00RC300</b>
3½"	5"	2"	6.00	<b>00RC350</b>
4"	5½"	2"	6.61	<b>00RC400</b>

Steering  
Hardware

## Rudder Bearing Flanges

## Round Flange

Shaft Size	Outside Diameter	Overall Height	Bolt Circle	Bolt Size	Weight lbs.	Bronze Part #
1"	3 <sup>3</sup> / <sub>16</sub> "	1 <sup>7</sup> / <sub>16</sub> "	2 <sup>9</sup> / <sub>16</sub> "	#10	0.90	<b>00RBF100</b>
1⅛"	3 <sup>3</sup> / <sub>16</sub> "	1 <sup>7</sup> / <sub>16</sub> "	2 <sup>9</sup> / <sub>16</sub> "	#10	0.80	<b>00RBF113</b>
1¼"	3 <sup>3</sup> / <sub>16</sub> "	1 <sup>7</sup> / <sub>16</sub> "	2 <sup>9</sup> / <sub>16</sub> "	#10	0.70	<b>00RBF125</b>
1⅜"	3 <sup>3</sup> / <sub>16</sub> "	1 <sup>7</sup> / <sub>16</sub> "	2 <sup>9</sup> / <sub>16</sub> "	#10	0.75	<b>00RBF138</b>



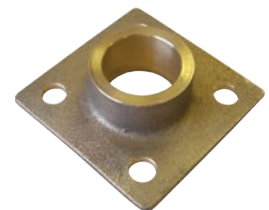
## Oval Flange

Shaft Size	Flange Size W x L	Overall Height	Bolthole C to C	Bolt Size	Weight lbs.	Bronze Part #
1¼"	2 <sup>1</sup> / <sub>16</sub> " x 5 <sup>3</sup> / <sub>8</sub> "	1 <sup>5</sup> / <sub>16</sub> "	4 <sup>5</sup> / <sub>16</sub> "	⅜"	0.90	<b>00RBOF125</b>
1⅜"	2 <sup>1</sup> / <sub>16</sub> " x 5 <sup>3</sup> / <sub>8</sub> "	1 <sup>5</sup> / <sub>16</sub> "	4 <sup>5</sup> / <sub>16</sub> "	⅜"	0.85	<b>00RBOF138</b>
1½"	2 <sup>9</sup> / <sub>16</sub> " x 5 <sup>9</sup> / <sub>16</sub> "	1 <sup>13</sup> / <sub>16</sub> "	4 <sup>13</sup> / <sub>32</sub> "	⅜"	1.50	<b>00RBOF150</b>



## Square Flange

Shaft Size	Flange Size Squared	Overall Height	Bolthole C to C	Bolt Size	Weight lbs.	Bronze Part #
1½"	3¾"	1 <sup>3</sup> / <sub>8</sub> "	2 <sup>7</sup> / <sub>8</sub> "	½"	1.05	<b>00RBF150</b>
1¾"	3¾"	1 <sup>3</sup> / <sub>8</sub> "	2 <sup>7</sup> / <sub>8</sub> "	½"	1.90	<b>00RBF175</b>
2"	3¾"	1 <sup>3</sup> / <sub>8</sub> "	2 <sup>7</sup> / <sub>8</sub> "	½"	1.65	<b>00RBF200</b>
2¼"	4 <sup>5</sup> / <sub>8</sub> "	1¼"	3¼"	½"	2.60	<b>00RBF225</b>
2½"	4 <sup>5</sup> / <sub>8</sub> "	1¼"	3¼"	½"	2.80	<b>00RBF250</b>
2¾"	5¾"	1 <sup>5</sup> / <sub>16</sub> "	4¼"	½"	6.50	<b>00RBF275</b>
3"	5¾"	1 <sup>5</sup> / <sub>16</sub> "	4¼"	½"	6.20	<b>00RBF300</b>



Dripless Rudder Port Spuds



Feature:

- retaining ring, lip seal and O-ring included

Shaft Size	Outside Diameter	Hex Size	Overall Length	Bronze Part #
1¼"	2½"	2 <sup>3</sup> / <sub>16</sub> "	1 <sup>7</sup> / <sub>8</sub> "	<b>00PB125LS</b>
1½"	2 <sup>7</sup> / <sub>8</sub> "	2 <sup>3</sup> / <sub>16</sub> "	2 <sup>1</sup> / <sub>8</sub> "	<b>00PB150LS</b>
1¾"	3½"	3¼"	2½"	<b>00PB175LS</b>
2"	3 <sup>5</sup> / <sub>8</sub> "	3 <sup>1</sup> / <sub>8</sub> "	2 <sup>7</sup> / <sub>16</sub> "	<b>00PB200LS</b>

Rectangular Flanges



Shaft Size	Packing Size	Length Under Flange	Flange Size W x L	Bolthole C to C	Bolt Size	Weight lbs.	Bronze Part #
1 <sup>3</sup> / <sub>8</sub> "	5/ <sub>16</sub> "	5"	3 <sup>5</sup> / <sub>8</sub> " x 7"	2¼" x 5¼"	½"	9.15	<b>00RP138</b>
1½"	¼"	5"	3 <sup>5</sup> / <sub>8</sub> " x 7"	2¼" x 5¼"	½"	8.70	<b>00RP150</b>
1¾"	7/ <sub>16</sub> "	5"	4 <sup>1</sup> / <sub>8</sub> " x 7 <sup>1</sup> / <sub>8</sub> "	2½" x 5½"	½"	13.30	<b>00RP175</b>
2"	3/ <sub>8</sub> "	5"	4 <sup>1</sup> / <sub>8</sub> " x 7 <sup>1</sup> / <sub>8</sub> "	2½" x 5½"	½"	13.00	<b>00RP200</b>
2¼"	3/ <sub>8</sub> "	7"	6" x 10"	n/a	n/a	25.00	<b>00RP225<sup>1</sup></b>
2½"	3/ <sub>8</sub> "	8½"	6" x 12"	n/a	n/a	43.00	<b>00RP250<sup>1</sup></b>
2¾"	9/ <sub>16</sub> "	5"	6¼" x 10¾"	4¼" x 8¾"	½"	40.00	<b>00RP275<sup>1</sup></b>
3"	11/ <sub>16</sub> "	5"	6¼" x 10¾"	4¼" x 8¾"	½"	38.00	<b>00RP300<sup>1</sup></b>

<sup>1</sup> Comes without base holes machined.

Replacement Parts



For Use With Part #	Lock Nuts Part #	Packing Spuds Part #	Backing Plates	
			Weight lbs.	Part #
00RP138	<b>00138PBN</b>	<b>00RP138</b>	1.80	<b>00RPBP150</b>
00RP150		<b>00RP150</b>		
00RP175	<b>00175PBN</b>	<b>00RP175</b>	2.00	<b>00RPBP175</b>
00RP200		<b>00RP200</b>		
00RPN225	<b>00RP225</b>	<b>00RP225</b>	---	---
00225PBN	<b>00RP250</b>	<b>00RP250</b>		
00RP275	<b>00300PBN</b>	<b>00RP275</b>		
00RP300		<b>00RP300</b>		

### Tournament Rectangular Flanges

**Feature:**

- packing nut and lock nut included

Shaft Size	Packing Size	Length Under Flange	Flange Width	Flange Length	Barrel Diameter	Weight lbs.	Bronze Part #
1¼"	¼"	3"	4¼"	4¼"	1⅝"	10.00	<b>82125</b>
1⅜"	9/16"	1¼"	4½"	6⅛"	2⅛"	14.25	<b>82138</b>
1½"	7/16"	1¼"	4½"	6⅛"	2⅛"	14.20	<b>82150</b>
1¾"	½"	1⅝"	4½"	6⅝"	2½"	22.50	<b>82175</b>
2"	⅜"	1⅝"	4½"	6⅝"	2⅝"	22.45	<b>82200</b>
2¼"	9/16"	1¾"	4½"	6⅝"	3¼"	22.40	<b>82225</b>
2½"	5/16"	1¾"	4⅞"	9"	3¼"	32.00	<b>82250</b>



Steering Hardware

#### Replacement Parts

For Use With Part #	Lock Nuts Part #	Packing Spuds Part #
82125	<b>00125PBN</b>	<b>86125S</b>
82138	<b>82138N</b>	<b>82138S</b>
82150		<b>82150S</b>
82175	<b>00175PBN</b>	<b>82175S</b>
82200		<b>82200S</b>
82225		<b>82225S</b>
82250	<b>00225PBN</b>	<b>82250S</b>



packing spud

### Tournament Rectangular Flanges

**Feature:**

- packing nut and lock nut included

Shaft Size	Packing Size	Length Under Flange	Flange Width	Flange Length	Barrel Diameter	Weight lbs.	Bronze Part #
1¼"	¼"	3"	4"	4"	1¾"	7.00	<b>86125</b>
1⅜"	9/16"	3"	4"	7⅛"	2¼"	16.50	<b>86138</b>
1½"	7/16"	3"	4"	7⅛"	2¼"	16.20	<b>86150</b>
2"	⅜"	4⅜"	4½"	8¼"	3"	24.00	<b>86200</b>



#### Replacement Parts

For Use With Part #	Lock Nuts Part #	Packing Spuds Part #
86125	<b>00125PBN</b>	<b>86125S</b>
86138	<b>82138N</b>	<b>82138S</b>
86150		<b>82150S</b>
86200	<b>00175PBN</b>	<b>82200S</b>
86225	<b>82225N</b>	<b>82225S</b>



00125PBN



packing spud

### Tournament Rectangular Flanges



**Feature:**

- packing nut and lock nut included

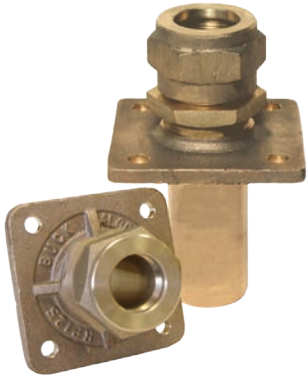
Shaft Size	Packing Size	Length Under Flange	Flange Size W x L	Bolthole C to C	Bolt Size	Weight lbs.	Bronze Part #
1¼"	¾"	5"	4⅞" x 7⅞"	2½" x 5½"	½"	18.00	<b>290520M</b>
1⅜"	⅝"	5"	4⅞" x 7⅞"	2½" x 5½"	½"	17.50	<b>290522M</b>
1½"	⅞"	5"	4⅞" x 7⅞"	2½" x 5½"	½"	17.00	<b>290524M</b>

#### Replacement Parts



For Use With Part #	Lock Nuts Part #	Packing Spuds Part #	Backing Plates	
			Weight lbs.	Part #
290520M 290522M 290524M	<b>00175PBN</b>	<b>00175PBS20</b> <b>00175PBS22</b> <b>00175PBS24</b>	2.00	<b>00RPBP175</b>

### Square Flanges

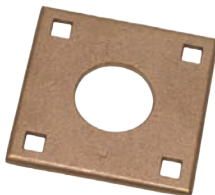


**Feature:**

- packing nut and lock nut included

Shaft Size	Packing Size	Length Under Flange	Flange Size Square	Bolthole C to C	Bolt Size	Weight lbs.	Bronze Part #
1"	¼"	4"	3⅞"	2¾"	⅜"	3.15	<b>00RP100</b>
1"	¼"	2⅞"	3½"	2⅞"	⅜"	2.45	<b>00RP100L</b>
1⅞"	⅜"	4"	3⅞"	2¾"	⅜"	3.00	<b>00RP113</b>
1¼"	¼"	4"	4¼"	3⅛"	⅜"	5.00	<b>00RP125</b>
1¼"	¼"	3"	4¼"	3⅛"	⅜"	4.00	<b>00RP125L</b>
1¼"	¼"	6"	4¼"	3⅛"	⅜"	6.00	<b>00RP12506</b>
1½"	¼"	5"	4½"	3⅞"	½"	12.00	<b>00RP150S</b>

#### Replacement Parts



00RPBP100A



00100PBS



For Use With Part #	Lock Nuts Part #	Packing Spuds Part #	Backing Plates	
			Weight lbs.	Part #
00RP100 00RP100L	<b>00100PBN</b>	<b>00100PBS</b>	0.65	<b>00RPBP100</b>
00RP113		<b>00113PBS</b>	0.65	<b>00RPBP100A</b>
00RP125 00RP125L 00RP12506	<b>00125PBN</b>	<b>00125PBS</b>	1.15	<b>00RPBP125</b>
00RP150S	<b>00138PBN</b>	<b>00150PBS</b>	0.65	<b>00RPBP150S</b>

### Tournament Square Flanges

**Feature:**

- packing nut and lock nut included

Shaft Size	Packing Size	Length Under Flange	Flange Size Squared	Bolthole C to C	Bolt Size	Weight lbs.	Bronze Part #
1¼"	¼"	3½"	4"	2⅞"	⅜"	4.40	<b>2902</b>
1⅝"	5/16"	3½"	4"	2⅞"	⅜"	4.20	<b>2903</b>
1½"	¼"	3½"	4"	2⅞"	⅜"	4.20	<b>2904</b>



Steering Hardware

#### Replacement Parts

Description	For Use With Part #	Bronze Part #
Lock Nuts	2902	<b>00125PBN</b>
	2903	<b>00138PBN</b>
	2904	<b>00138PBN</b>
Packing Spuds	2902	<b>00125PBS</b>
	2903	<b>00138PBS</b>
	2904	<b>00150PBS</b>
Backing Plates	2902	<b>2902BP</b>
	2903	
	2904	



### Tournament Square Flanges - Low Profile - Gland Style

**Feature:**

- packing gland and two nuts on each stud included

Shaft Size	Packing Size	Length Under Flange	Flange Size Squared	Barrel Diameter	Weight lbs.	Bronze Part #
1⅝"	5/16"	1⅝"	4¾"	2⅝"	8.70	<b>88138</b>
1½"	¼"	1⅝"	5⅝"	2⅝"	8.60	<b>88150</b>
1¾"	½"	1⅝"	5⅝"	3¼"	15.80	<b>88175</b>
2"	⅜"	1⅝"	5⅝"	3¼"	15.70	<b>88200</b>





Rectangular Flanges



- Feature:**
- packing nut and lock nut included

Shaft Size	Packing Size	Length Above Flange	Flange Size W x L	Bolthole C to C	Bolt Size	Weight lbs.	Bronze Part #
1"	1/4"	4 1/8"	3 1/4" x 4"	2 1/4" x 3"	3/8"	3.65	<b>10RP100ACC</b>
1 1/4"	1/4"	4 3/8"	3 1/4" x 4"	2 1/4" x 3"	3/8"	4.00	<b>10RP125ACC</b>



00RPBP12CC

Replacement Parts

For Use With Part #	Lock Nuts Part #	Packing Spuds Part #	Backing Plates Part #
10RP100ACC	<b>00100PBN</b>	<b>00100PBS</b>	<b>00RPBP12CC</b>
10RP125ACC	<b>00125PBN</b>	<b>00125PBS</b>	<b>00RPBP12CC</b>

Square Flanges

- Feature:**
- packing nut and lock nut included



Shaft Size	Packing Size	Length Above Flange	Flange Size Squared	Bolthole C to C	Bolt Size	Weight lbs.	Bronze Part #
1"	1/4"	3 3/4"	3 1/2"	2 3/8"	3/8"	4.00	<b>00RP100A</b>
1 1/8"	3/16"	3 3/4"	3 1/2"	2 3/8"	3/8"	4.00	<b>00RP113A</b>
1 1/4"	1/4"	6"	4 1/2"	3 1/16"	3/8"	6.00	<b>00RP125A</b>
1 3/8"	3/16"	6"	4 1/2"	3 1/16"	3/8"	6.00	<b>00RP138A</b>
1 1/2"	1/4"	5"	5 1/8"	3 1/4"	3/8"	14.30	<b>00RP150A</b>
1 3/4"	5/16"	5"	5 1/8"	3 1/4"	3/8"	15.00	<b>00RP175A</b>
2"	3/8"	5"	5 1/8"	3 1/4"	1/2"	18.00	<b>00RP200A</b>
2 1/4"	7/16"	6 7/16"	6"	4 1/2"	1/2"	22.50	<b>00RP225A</b>
2 1/2"	5/16"	6 7/16"	6"	4 1/2"	1/2"	21.00	<b>00RP250A</b>
2 3/4"	1 1/16"	6 1/2"	6 3/4"	4 3/4"	1/2"	32.00	<b>00RP275A</b>
3"	9/16"	6 1/2"	6 3/4"	4 3/4"	1/2"	30.00	<b>00RP300A</b>



00RPBP100A

Replacement Parts

For Use With Part #	Lock Nuts Part #	Packing Spuds Part #	Backing Plates	
			Weight lbs.	Part #
00RP100A	<b>00100PBN</b>	<b>00100PBS</b>	0.40	<b>00RPBP100A</b>
00RP113A			0.90	<b>00RPBP113A</b>
00RP125A	<b>00125PBN</b>	<b>00125PBS</b>	1.15	<b>00RPBP125A</b>
00RP138A				
00RP150A	<b>00138PBN</b>	<b>00150PBS</b>	1.75	<b>00RPBP150A</b>
00RP175A	<b>00175PBN</b>	<b>00175PBSOY</b>	1.75	<b>00RPBP175200A</b>
00RP200A	<b>00175PBN</b>	<b>00200PBS</b>		
00RP225A	<b>00225PBN</b>	<b>00225PBS</b>	6.00	<b>00RPBP225A</b>
00RP250A			6.00	<b>00RPBP250A</b>
00RP275A	<b>00300PBN</b>	<b>00275PBS</b>	6.00	<b>00RPBP275A</b>
00RP300A			6.00	<b>00RPBP300A</b>

### Square Flanges - Angled

**Feature:**

- packing nut and lock nut included

Shaft Size	Packing Size	Length Above Flange	Flange Size Squared	Flange Angle	Bolthole C to C	Bolt Size	Weight lbs.	Bronze Part #
1¼"	¼"	6"	4½"	85°	3⅛"	¾"	6.00	<b>00RP125B</b>
1¼"	¼"	6⅛"	4⅞"	12°	2⅞"	½"	6.25	<b>00RP125B12</b>
1¼"	¼"	4⅝/16"	5⅞"	17°	3¼"	7/16"	11.00	<b>00RP125B17</b>
1⅜"	⅜/16"	6"	4½"	85°	3⅛"	¾"	6.00	<b>00RP138B</b>
1½"	¼"	7"	4⅞"	12°	2⅞"	½"	6.90	<b>00RP150A12</b>



Steering Hardware

### Replacement Parts

For Use With Part #	Lock Nuts Part #	Packing Spuds Part #	Backing Plates	
			Weight lbs.	Part #
00RP125B	<b>00125PBN</b>	<b>00125PBS</b>	1.15	<b>00RPBP125</b>
00RP125B12			1.15	<b>00RPBP150S</b>
00RP125B17			1.20	<b>320028BP</b>
00RP138B			1.15	<b>00RPBP125</b>
00RP150A12	<b>00138PBN</b>	<b>00150PBS</b>	0.65	<b>00RPBP150S</b>



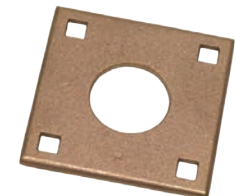
### Rectangular Flange Backing Plates

Plate Dimensions	Weight lbs.	Bronze Part #
3¾" x 6¾"	1.80	<b>00RPBP150</b>
4⅞" x 6¼"	2.00	<b>00RPBP175</b>



### Square Flange Backing Plates

Plate Dimensions	Weight lbs.	Bronze Part #
3¼" x 3¼"	0.40	<b>00RPBP100A</b>
3¾" x 3¾"	0.65	<b>00RPBP100</b>
4" x 4"	0.85	<b>2902BP</b>
4⅜" x 4⅜"	1.15	<b>00RPBP125</b>
4½" x 4½"	0.65	<b>00RPBP150S</b>
5" x 5"	1.75	<b>00RPBP150A</b>
5" x 5"	1.75	<b>00RPBP175200A</b>
6" x 6"	6.00	<b>00RPBP250A</b>



## Tiller Arms Machined for a Square Shaft



10TA12X71S 10TA12X91S

Shaft Size Squared	Overall Length	Max C to C	Weight lbs.	Bronze Part #
1"	10½"	6" & 8"	2.20	<b>10TA12X71S</b> <sup>1</sup>
1¼"	13¼"	9¼"	7.00	<b>10TA12X91S</b>
1⅝"	14¾"	11¼"	8.00	<b>10TA16X91S</b>

<sup>1</sup> Tiller arm includes two stainless steel balls at 6" & 8" centers. It is available without balls upon request.

## Split Head Tiller Arms



Shaft Size	Overall Length	Max C to C	Keyway Size	Weight	Bronze Part #
1¼"	15½"	13"	¼"	6.40	<b>10TA12X130</b>
1⅜"	15½"	13"	¼"	6.20	<b>10TA13X130</b>
1½"	15½"	13"	⅜"	6.00	<b>10TA15X130</b>
1¾"	15½"	13"	⅜"	10.00	<b>10TA17X130</b>
2"	15½"	13"	⅜"	10.00	<b>10TA20X130</b>

## Tournament Tiller Arms



## Feature:

- pinch bolt, nut and setscrew

Shaft Size	Overall Length	Max C to C	Keyway Size	Weight	Bronze Part #
1"	11"	8⅝"	¼"	5.00	<b>81100</b>
1¼"	11"	8⅝"	¼"	5.00	<b>81125</b>
1⅜"	11¾"	9½"	¼"	7.30	<b>81138</b>
1½"	11¾"	9½"	⅜"	7.20	<b>81150</b>
1¾"	20"	8-9/16"	⅜"	7.10	<b>81175</b>
2"	20"	8-9/16"	⅜"	7.00	<b>81200</b>

## Tiller Arms

## Feature:

- pinch bolt, nut and setscrew



Shaft Size	Overall Length	Max C to C	Keyway Size	Weight	Bronze Part #
1"	9¼"	7"	¼"	1.45	<b>10TA10X700</b>
1⅝"	9¼"	7"	¼"	1.4	<b>10TA11X700</b>
1¼"	9¼"	7"	¼"	2.6	<b>10TA12X700</b>
1¼"	9¼"	7"	5/16"	2.6	<b>MACKAYTA125X700</b>
1¼"	11½"	9"	¼"	2.8	<b>10TA12X900</b>
1⅜"	9¼"	7"	¼"	2.6	<b>10TA13X700</b>
1⅜"	9¼"	7"	5/16"	2.6	<b>MACKAYTA138X700</b>
1⅜"	11½"	9"	¼"	2.8	<b>10TA13X900</b>
1½"	15¾"	12"	⅜"	5	<b>10TA15X100</b>
1¾"	15¾"	12"	⅜"	5	<b>10TA17X100</b>
1¾"	15¾"	12"	7/16"	5	<b>MACKAYTA175X100</b>
2"	15¾"	12"	⅜"	5.5	<b>10TA20X100</b>
2"	15¾"	12"	½"	5.5	<b>MACKAYTA200X100</b>
2¼"	17"	13"	½"	7	<b>10TA22X170</b>
2¼"	17"	13"	9/16"	7	<b>MACKAYTA225X170</b>
2½"	17"	13"	½"	7	<b>10TA25X170</b>
2½"	17"	13"	⅝"	7	<b>MACKAYTA250X170</b>

## Heavy Duty Tiller Arms

## Feature:

- two pinch bolt, nut and setscrew



Shaft Size	Overall Length	Max C to C	Keyway Size	Weight	Bronze Part #
2"	20¾"	13"	⅜"	17.00	<b>10TA20X14H</b>
2¼"	20¾"	16"	½"	17.80	<b>10TA22X14H</b>
2½"	20¾"	16"	⅝"	17.10	<b>10TA25X14H</b>
2¾"	21⅝"	16"	⅝"	24.00	<b>10TA27X16HD</b>
3"	21⅝"	16"	¾"	23.50	<b>10TA30X16HD</b>

## Clevises

## Feature:

- stainless steel clevis and cotter pin included

Thread Size	Overall Length	Thread Length	Pin Hole Diameter	Between Jaw Size	Weight lbs.	Bronze Part #
½" - 14 NPT	3½"	¾"	½"	¾"	0.70	<b>00CL50</b>
¾" - 14 NPT	4¼"	1"	½"	½"	1.15	<b>00CL75</b>
¾" - 14 NPT	4¼"	1"	½"	⅝"	1.15	<b>00CL75E</b>
1" - 11½ NPT	4¼"	⅞"	½"	⅞"	1.80	<b>00CL100</b>
1" - 11½ NPT	6"	1¾"	¾"	⅞"	3.00	<b>00CL100HD</b>

Steering  
Hardware

## Clevis Eyes

Thread Size	Overall Length	Pin Hole Diameter	Between Jaw Size	Weight lbs.	Bronze Part #
¾" - 14 NPSM	4¾"	½"	11/16"	1.10	<b>00CL75LT</b>
¾" - 14 NPSM	4¾"	½"	11/16"	1.20	<b>00CL75WEYE</b>



00CL75WEYE

00CL75LT

## Clevis Pins

Pin Diameter	Pin Length	Weight lbs.	304 Stainless Steel Part #
½"	1½"	0.10	<b>70CLPIN150</b>
½"	1¾"	0.10	<b>70CLPIN175</b>
½"	2"	0.15	<b>70CLPIN200</b>
½"	2¼"	0.15	<b>70CLPIN225</b>
¾"	2"	0.15	<b>70CL100HDP</b>



## Swivel Sockets

## Feature:

- cotter pin and set screw included

Thread Size	Overall Length	Ball Opening	Weight lbs.	Bronze Part #
½" - 14 NPSM	5"	1"	1.10	<b>00SWS50</b>
¾" - 14 NPSM	5"	1"	1.10	<b>00SWS75</b>



## Threaded Balls

## Feature:

- two nuts included

Ball Diameter	Overall Length	Thread Size	Weight lbs.	304 Stainless Steel Part #
1"	3⅞"	½" x 2"	1.20	<b>70THDBALL</b>

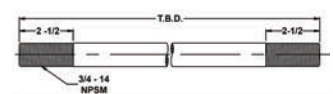


## Tie Bars

## Feature:

- two nuts included

Max Overall Length	Thread Size	Thread Length	304 Stainless Steel Part #
3'	¾" - 14 NPSM	2½"	<b>TIEBAR3FT</b>
4'	¾" - 14 NPSM	2½"	<b>TIEBAR4FT</b>
5'	¾" - 14 NPSM	2½"	<b>TIEBAR5FT</b>
6'	¾" - 14 NPSM	2½"	<b>TIEBAR6FT</b>



AQ-22 Rudders

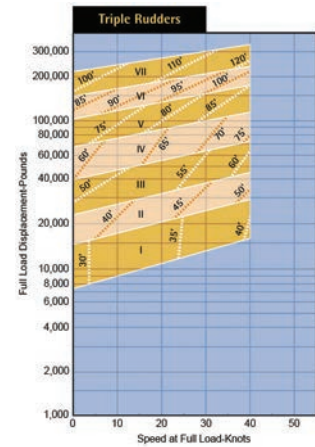
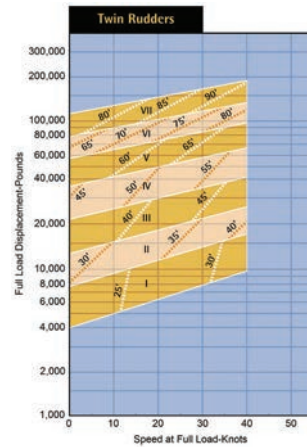
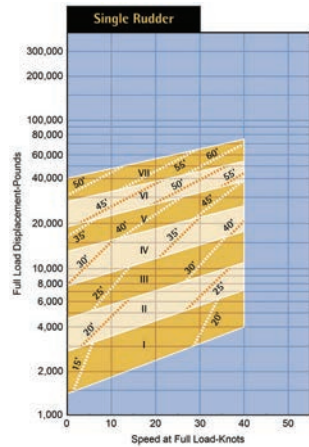
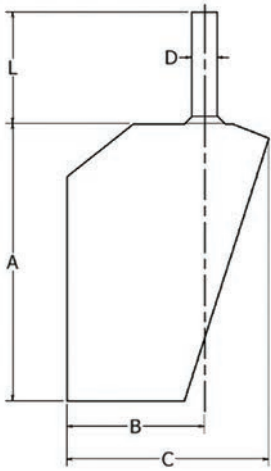
Steering Hardware



Features:

- rudder weights are estimated
- rudder torque is included so that the force required at the tiller are may be estimated
- dashed lines in the drawing indicate approximate boat length
- Roman numerals in the charts indicate rudder model recommended
- consult the manufacturer for rudder requirements outside those of stock design

Rudder Length (A)	Stock Location (B)	Rudder Width (C)	Dia. (D)	Estimated Rudder Torque 40 Knots	Weight lbs./ft.	Weight less Stock	Roman Numeral	Part #
13½"	6-11/16"	9-13/16"	1¼"	4,400 in/lb	4.17	19 lb	I	<b>70RMODEL1</b>
16½"	8¼"	12"	1½"	8,100 in/lb	6.01	30 lb	II	<b>70RMODEL2</b>
19"	9¾"	13¾"	1¾"	12,200 in/lb	8.18	47 lb	III	<b>70RMODEL3</b>
23¾"	11⅝"	17"	2¼"	22,300 in/lb	13.52	82 lb	IV	<b>70RMODEL4</b>
27"	13¾"	19½"	2¾"	34,300 in/lb	20.19	125 lb	V	<b>70RMODEL5</b>
31"	15¾"	22¾"	4"	52,200 in/lb	42.71	200 lb	VI	<b>70RMODEL6</b>
34½"	17"	25"	4½"	71,900 in/lb	54.05	275 lb	VII	<b>70RMODEL7</b>



Boat Characteristics

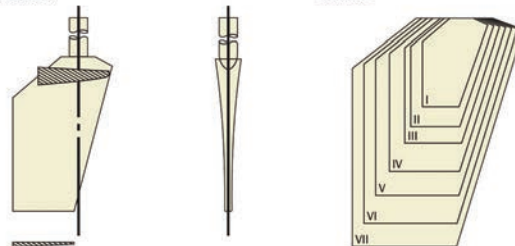
AQ-22 Rudders

1. Assume speed of 25 knots, 28,000 lbs. displacement:

- One Rudder Rudder V
- Two Rudders Rudder III
- Three Rudders Rudder II

2. Assume speed of 33 knots and a 38-foot boat:

- One Rudder Rudder IV
- Two Rudders Rudder II
- Three Rudders Rudder I





Strainers .....	92 - 99
Basket.....	92-93
Raw water.....	94
Intake water - low profile.....	94
Rectangular scoop.....	95-96
Slide out screens .....	95
Positive flow .....	95
Surface mount .....	96
Positive flow .....	96
Slotted.....	96
Round.....	96
Slotted.....	96
Navy pump .....	97
with hose end.....	97
Scoop .....	97
Arctic Steel .....	98-99





Basket Strainers

Strainers



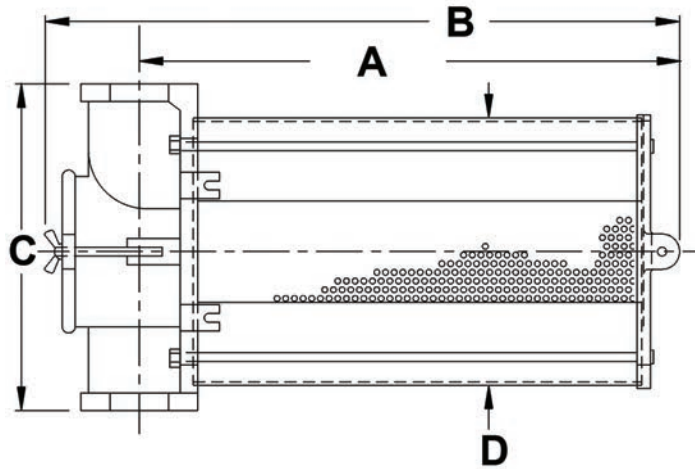
**Features:**

- stainless steel basket
- polycarbonate cylinder for easy viewing

**Specifications:**

- perforated screen hole size is .075"
- failure to properly winterize may cause damage to strainer

Thread Size NPT	C to E (A)	Overall Length (B)	Overall Width (C)	Cylinder Diameter (D)	Weight lbs.	Bronze Part #
1/2"	7 1/2"	9 5/8"	4 3/8"	3 1/2"	4.60	<b>00ISB50</b>
3/4"	7 1/2"	9 5/8"	4 3/8"	3 1/2"	4.60	<b>00ISB75</b>
1"	8"	10 1/4"	5 3/8"	4 1/4"	7.30	<b>00ISB100</b>
1 1/4"	8"	10 1/2"	5 1/2"	4 1/2"	7.30	<b>00ISB125</b>
1 1/2"	10 1/2"	12 3/4"	7 1/4"	5 1/2"	13.20	<b>00ISB150</b>
2"	14 3/4"	18"	7 1/2"	5 3/4"	17.60	<b>00ISB200</b>
2 1/2"	14 3/4"	18"	7 1/2"	5 3/4"	17.60	<b>00ISB250</b>



Replacement Baskets



Use With Part #	Overall Height (includes handle)	Diameter of Basket	Height of Basket	304 Stainless Steel Part #
00ISB50	7 3/4"	1 11/16"	6 1/4"	<b>70ISBWSB50</b>
00ISB75	7 3/4"	1 11/16"	6 1/4"	<b>70ISBWSB75</b>
00ISB100	8"	2 7/16"	5 7/8"	<b>70ISBWSB100</b>
00ISB125	8 5/16"	2 7/16"	6 3/16"	<b>70ISBWSB125</b>
00ISB150	11"	3 3/16"	8 5/16"	<b>70ISBWSB150</b>
00ISB200	15 3/4"	3 3/16"	12 3/8"	<b>70ISBWSB200</b>
00ISB250				

Replacement Parts

Feature:

- bolts include wing nut and washer

Castings

Use With Part #	Cover Casting Part #	Top Casting Part #	Bottom Casting Part #
00ISB50	<b>00ISBWSCO50</b>	<b>00ISBWSTC50</b>	<b>00ISBWSBC50</b>
00ISB75	<b>00ISBWSCO75</b>	<b>00ISBWSTC75</b>	<b>00ISBWSBC75</b>
00ISB100	<b>00ISBWSCO100</b>	<b>00ISBWSTC100</b>	<b>00ISBWSBC100</b>
00ISB125	<b>00ISBWSCO125</b>	<b>00ISBWSTC125</b>	<b>00ISBWSBC125</b>
00ISB150	<b>00ISBWSCO150</b>	<b>00ISBWSTC150</b>	<b>00ISBWSBC150</b>
00ISB200	<b>00ISBWSCO200</b>	<b>00ISBWSTC200</b>	<b>00ISBWSBC200</b>
00ISB250	<b>00ISBWSCO250</b>	<b>00ISBWSTC250</b>	<b>00ISBWSBC250</b>

Bolts

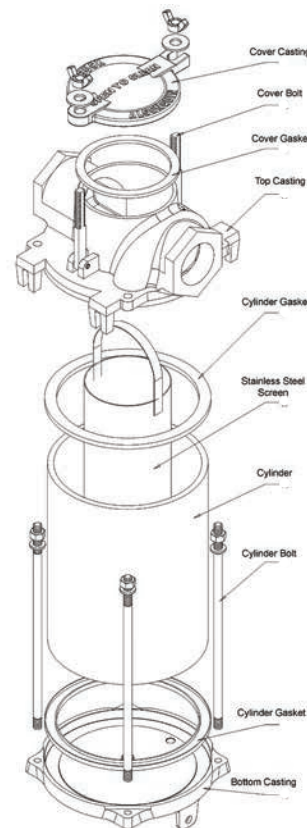
Use With Part #	Cover Bolt Part #	Cylinder Bolt Part #
00ISB50	<b>00ISBWSCB50</b>	<b>00ISBWSCBOLT50</b>
00ISB75	<b>00ISBWSCB75</b>	<b>00ISBWSCBOLT75</b>
00ISB100	<b>00ISBWSCB100</b>	<b>00ISBWSCBOLT100</b>
00ISB125	<b>00ISBWSCB125</b>	<b>00ISBWSCBOLT125</b>
00ISB150	<b>00ISBWSCB150</b>	<b>00ISBWSCBOLT150</b>
00ISB200	<b>00ISBWSCB200</b>	<b>00ISBWSCBOLT200</b>
00ISB250	<b>00ISBWSCB250</b>	<b>00ISBWSCBOLT250</b>

Gaskets

Use With Part #	Cover Gasket Part #	Cylinder Gasket Part #
00ISB50	<b>C0ISBWSCG50</b>	<b>C0ISBWSCGC50</b>
00ISB75	<b>C0ISBWSCG75</b>	<b>C0ISBWSCGC75</b>
00ISB100	<b>C0ISBWSCG100</b>	<b>C0ISBWSCGC100</b>
00ISB125	<b>C0ISBWSCG125</b>	<b>C0ISBWSCGC125</b>
00ISB150	<b>C0ISBWSCG150</b>	<b>C0ISBWSCGC150</b>
00ISB200	<b>C0ISBWSCG200</b>	<b>C0ISBWSCGC200</b>
00ISB250	<b>C0ISBWSCG250</b>	<b>C0ISBWSCGC250</b>

Cylinders

Use With Part #	Part #
00ISB50	<b>D0ISBWSC50</b>
00ISB75	<b>D0ISBWSC75</b>
00ISB100	<b>D0ISBWSC100</b>
00ISB125	<b>D0ISBWSC125</b>
00ISB150	<b>D0ISBWSC150</b>
00ISB200	<b>D0ISBWSC200</b>
00ISB250	<b>D0ISBWSC250</b>



Strainers

Strainers

Raw Water Strainers



00RWS200

Materials:

- 316 stainless steel or 85-5-5 red brass
- basket: stainless steel
- cylinder: polycarbonate
- globe: polycarbonate

Features:

- drain plug
- mounting bracket

Specification:

- failure to properly winterize may cause damage to strainer.

Thread Size NPT	Overall Width (A)	Center to Top (B)	Center to Bottom (C)	Overall Height (D)	Weight lbs.	Bronze Part #	Stainless Steel Part #
¾"	5½"	2"	5½"	7½"	5.50	<b>00RWS75</b>	<b>70RWS75</b>
1"	5½"	2"	5½"	7½"	5.30	<b>00RWS100</b>	<b>70RWS100</b>
1¼"	6½"	2¼"	8¼"	10½"	6.00	<b>00RWS125</b>	<b>70RWS125</b>
1½"	6½"	2¼"	8¼"	10½"	6.50	<b>00RWS150</b>	<b>70RWS150</b>
2"	8"	2 <sup>5</sup> / <sub>8</sub> "	13 <sup>7</sup> / <sub>8</sub> "	11¼"	12.20	<b>00RWS200</b>	<b>70RWS200</b>
2½"	8"	2 <sup>5</sup> / <sub>8</sub> "	13 <sup>7</sup> / <sub>8</sub> "	11¼"	12.00	<b>00RWS250</b>	<b>70RWS250</b>

Replacement Parts

For Use With Part #	Polycarbonate Dome	Basket	Carbonate O-Ring	Lid O-Ring	Set Screw
00RWS75 00RWS100	<b>D0RWS75100G</b>	<b>70RWS75100B</b>	<b>C0RWS75100LG</b>	<b>C0RWS75100SM</b>	<b>D0RWSSCREW</b>
00RWS125 00RWS150	<b>D0RWS125150G</b>	<b>70RWS100150B</b>	<b>C0RWS125150LG</b>	<b>C0RWS75100SM</b>	
00RWS200 00RWS250	<b>D0RWS200250G</b>	<b>70RWS200250B</b>	<b>C0RWS200250LG</b>	<b>C0RWS75100SM</b>	
70RWS75 70RWS100	<b>D0RWS75100G</b>	<b>70RWS75100B</b>	<b>C0RWS75100LG</b>	<b>C0RWS75100SM</b>	
70RWS125 70RWS150	<b>D0RWS125150G</b>	<b>70RWS100150B</b>	<b>C0RWS125150LG</b>	<b>C0RWS75100SM</b>	
70RWS200 70RWS250	<b>D0RWS200250G</b>	<b>70RWS200250B</b>	<b>C0RWS200250LG</b>	<b>C0RWS75100SM</b>	

Intake Water Strainers - Low Profile



Overall Length	Overall Height	Hose Size	NPT Thread	Outside Diameter	Weight lbs.	Bronze Part #
10¼"	6 <sup>7</sup> / <sub>8</sub> "	2"	N/A	6 <sup>1</sup> / <sub>8</sub> "	6.55	<b>00IWS200DOME</b>
10¾"	4 <sup>13</sup> / <sub>32</sub> "	1¼"	¾"	7½"	6.63	<b>00LPWS125C</b>
10¾"	4 <sup>13</sup> / <sub>32</sub> "	1¼"	¾"	7½"	8.50	<b>00LPWS125S</b>
8¾"	4 <sup>13</sup> / <sub>32</sub> "	1½"	1"	7½"	6.06	<b>00LPWS150C</b>
8¾"	4 <sup>13</sup> / <sub>32</sub> "	1½"	1"	7½"	8.08	<b>00LPWS150S</b>

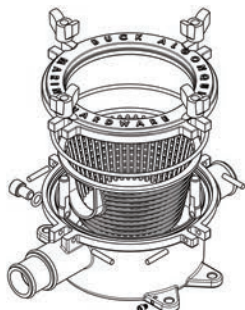
Replacement Kit

Feature:

- kit includes a dome lid, lid gasket, spacer, O-ring, washer, center bolt, and nut

Bronze  
Part #

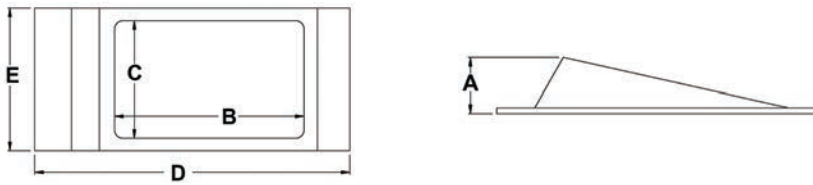
**D0IWS200KIT**



Slide Out Screens

Feature:

- perforated screens



2349

Strainers

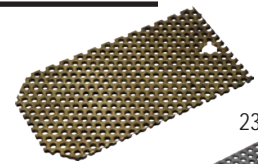


2349SP

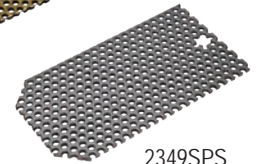
Max Thru Hull	A	B	C	D	E	Weight lbs.	Bronze Part #	Stainless Steel Part #
1¼"	1 <sup>1</sup> / <sub>16</sub> "	3 <sup>3</sup> / <sub>8</sub> "	2 <sup>1</sup> / <sub>8</sub> "	6 <sup>5</sup> / <sub>8</sub> "	3 <sup>3</sup> / <sub>4</sub> "	1.40	<b>2349</b>	<b>2349SP</b>
2"	1 <sup>3</sup> / <sub>4</sub> "	5"	3 <sup>1</sup> / <sub>16</sub> "	10 <sup>5</sup> / <sub>16</sub> "	4 <sup>5</sup> / <sub>8</sub> "	3.05	<b>00RSS655P</b>	<b>00RSS655SP</b>
3"	2 <sup>1</sup> / <sub>8</sub> "	9"	4 <sup>3</sup> / <sub>16</sub> "	12 <sup>3</sup> / <sub>4</sub> "	5 <sup>7</sup> / <sub>8</sub> "	4.55	<b>00RSS1100P</b>	<b>00RSS110SP</b>
4"	2 <sup>3</sup> / <sub>16</sub> "	9 <sup>7</sup> / <sub>16</sub> "	5 <sup>3</sup> / <sub>8</sub> "	13 <sup>15</sup> / <sub>16</sub> "	7 <sup>1</sup> / <sub>16</sub> "	6.40	---	<b>2352SP</b>

Replacement Screens

Overall Width	Overall Length	Weight lbs.	Brass Part #	Stainless Steel Part #
2 <sup>7</sup> / <sub>16</sub> "	4 <sup>3</sup> / <sub>8</sub> "	0.30	<b>2349S</b>	<b>2349SP</b>
3 <sup>1</sup> / <sub>2</sub> "	7 <sup>3</sup> / <sub>16</sub> "	0.50	<b>00RSS655PS</b>	<b>70RSS655SPS</b>
4 <sup>3</sup> / <sub>4</sub> "	10 <sup>1</sup> / <sub>4</sub> "	0.95	<b>00RSS110PS</b>	<b>70RSS11SPS</b>
6"	11 <sup>5</sup> / <sub>16</sub> "	1.25	---	<b>2352SPS</b>



2349S



2349SPS

Positive Flow Slide Out Screens

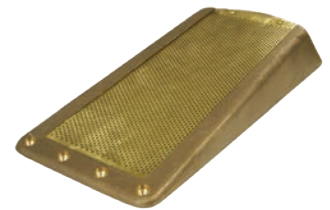
Material:

- perforated screens: stainless steel or brass

Features:

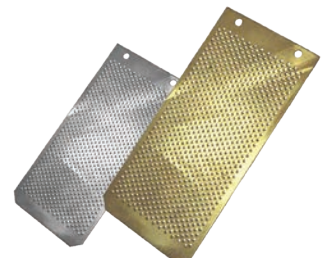
- screens slide out
- holes are drilled <sup>1</sup>/<sub>8</sub>" on a 45° angle

Max Thru Hull	A	B	C	D	E	Weight lbs.	Brass Part #
1¼"	1 <sup>1</sup> / <sub>16</sub> "	3 <sup>3</sup> / <sub>8</sub> "	2 <sup>1</sup> / <sub>8</sub> "	6 <sup>5</sup> / <sub>8</sub> "	3 <sup>3</sup> / <sub>4</sub> "	1.80	<b>2349PF</b>
2"	1 <sup>3</sup> / <sub>4</sub> "	5"	3 <sup>1</sup> / <sub>16</sub> "	10 <sup>5</sup> / <sub>16</sub> "	4 <sup>5</sup> / <sub>8</sub> "	3.10	<b>00RSS655PF</b>
3"	2 <sup>1</sup> / <sub>8</sub> "	9"	4 <sup>3</sup> / <sub>16</sub> "	12 <sup>3</sup> / <sub>4</sub> "	5 <sup>7</sup> / <sub>8</sub> "	4.50	<b>00RSS110PF</b>
4"	2 <sup>3</sup> / <sub>16</sub> "	9 <sup>7</sup> / <sub>16</sub> "	5 <sup>3</sup> / <sub>8</sub> "	13 <sup>15</sup> / <sub>16</sub> "	7 <sup>1</sup> / <sub>16</sub> "	6.50	<b>2352PF</b>
4"	3 <sup>1</sup> / <sub>2</sub> "	15 <sup>5</sup> / <sub>8</sub> "	6 <sup>1</sup> / <sub>8</sub> "	21 <sup>1</sup> / <sub>2</sub> "	8 <sup>1</sup> / <sub>2</sub> "	21.10	<b>2355</b>
6"	3 <sup>11</sup> / <sub>16</sub> "	15 <sup>1</sup> / <sub>2</sub> "	8 <sup>1</sup> / <sub>16</sub> "	21 <sup>1</sup> / <sub>2</sub> "	1 <sup>13</sup> / <sub>32</sub> "	21.26	<b>2353PF</b>

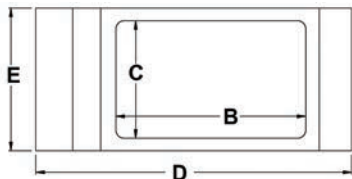
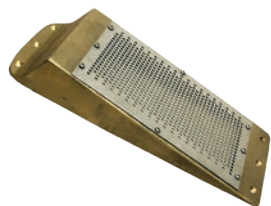


Replacement Screens

Overall Width	Overall Length	Weight lbs.	Brass Part #
2 <sup>7</sup> / <sub>16</sub> "	4 <sup>3</sup> / <sub>8</sub> "	0.30	<b>2349PFS</b>
3 <sup>1</sup> / <sub>2</sub> "	7 <sup>3</sup> / <sub>16</sub> "	0.50	<b>00RSS655PFS</b>
4 <sup>3</sup> / <sub>4</sub> "	10 <sup>1</sup> / <sub>4</sub> "	0.95	<b>00RSS11PFS</b>
6"	11 <sup>5</sup> / <sub>16</sub> "	1.25	<b>2352SPF</b>
6 <sup>7</sup> / <sub>8</sub> "	17"	2.00	<b>2355PFS</b>
8 <sup>1</sup> / <sub>16</sub> "	16 <sup>3</sup> / <sub>4</sub> "	2.80	<b>2353SPFBARS</b>



Surface Mount Screens

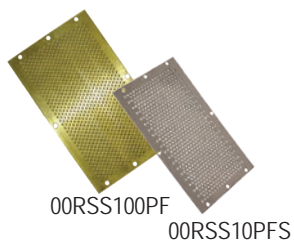


Max Thru Hull	A	B	C	D	E	Weight lbs.	Stainless Steel Part #
2"	1 3/4"	5 9/16"	3"	10"	4 1/2"	2.70	<b>00RSS650P</b>
3"	2"	8 3/8"	4 1/2"	13 7/8"	6"	4.20	<b>00RSS1000P</b>

Replacement Screens

Overall Width	Overall Length	Weight lbs.	Stainless Steel Part #
4 1/8"	6 1/2"	0.40	<b>00RSS650PS</b>
5 1/2"	9 1/2"	0.70	<b>00RSS100PS</b>

Positive Flow Surface Mount Screens

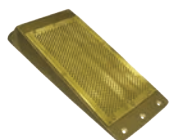


Max Thru Hull	A	B	C	D	E	Weight lbs.	Brass Part #
3"	2"	8 3/8"	4 1/2"	13 7/8"	6"	4.20	<b>00RSS100PF</b>

Replacement Screens

Overall Width	Overall Length	Weight lbs.	Cast Bronze Part #
5 1/2"	9 1/2"	0.70	<b>00RSS10PFS</b>

Surface Mount Slotted Screens



Max Thru Hull	A	B	C	D	E	Weight lbs.	Cast Bronze Part #
2"	1 3/4"	5 9/16"	3"	10"	4 1/2"	2.70	<b>00RSS650S</b>

Round Strainers



Max Thru Hull	Outside Diameter	Bolt Circle Diameter	C. S. Screw Size	Weight lbs.	Bronze Part #
3/4"	3 1/2"	3"	#6	0.40	<b>00SR350</b>
1"	4"	3 7/16"	#8	0.55	<b>00SR400</b>
1 1/2"	5"	4 9/16"	#8	0.65	<b>00SR500</b>
2 1/2"	6"	5 7/16"	#8	1.00	<b>00SR600</b>
3"	8"	7 1/4"	#10	2.35	<b>00SR800</b>

Round Strainers - Slotted



Max Thru Hull	Outside Diameter	Bolt Circle Diameter	C. S. Screw Size	Weight lbs.	Bronze Part #
1"	4"	3 1/2"	#8	0.55	<b>00SR400S</b>



### Navy Pump Strainers

**Feature:**

- screen included

Material	Thread Size NPT	Overall Width	Overall Height	Overall Length	Weight lbs.	Part #
bronze	1"	2½"	2"	4¾"	2.00	<b>00NPS100</b>
	1¼"	2½"	2"	4¾"	2.00	<b>00NPS125</b>
	1½"	3½"	2"	5"	3.00	<b>00NPS150</b>
	2"	3½"	2"	5"	3.00	<b>00NPS200</b>
aluminum	1"	2½"	2"	4¾"	0.75	<b>20NPSB100</b>
	1¼"	2½"	2"	4¾"	0.75	<b>20NPSB125</b>
	1½"	3½"	2"	5"	1.50	<b>20NPSB150</b>
	2"	3½"	2"	5"	1.50	<b>20NPSB200</b>



bronze



aluminum

Strainers

#### Replacement Screens

Use With Part #	Material	Weight lbs.	Part #
00NPS100 00NPS125 00NPS150 00NPS200	bronze	0.40	<b>00NPS100C</b>
20NPS100 20NPS125 20NPS150 20NPS200	aluminum	0.15	<b>20NPSB100C</b>
		0.20	<b>20NPSB150C</b>



### Navy Pump Strainers with Hose End

Hose Size	Overall Width	Overall Height	Overall Length	Weight lbs.	Bronze Part #
1"	1½"	1¾"	2½"	0.40	<b>00NPS63H</b>



#### Replacement Screens

Use With Part #	Weight lbs.	Bronze Part #
00NPS63H	0.10	<b>00NPS63HC</b>

### Scoop Strainers

Max Thru Hull	Outside Width	Overall Length	Screw Size C. S.	Weight lbs.	Bronze Part #
½"	3"	4¼"	#6	0.65	<b>00SS450</b>
¾"	3¼"	5"	#8	0.75	<b>00SS500</b>
1"	4"	6"	#8	1.00	<b>00SS600</b>
1¼"	4¼"	6½"	#8	1.45	<b>00SS650</b>
1½"	5¼"	8⅛"	#10	2.80	<b>00SS850</b>
3"	7¼"	10½"	¼"	4.60	<b>00SS1100</b>
4"	8"	13⅛"	¼"	6.40	<b>00SS1050</b>





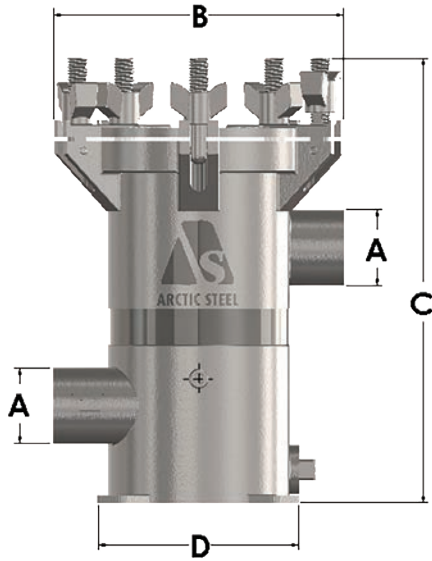
## Arctic Steel Strainers

### Why Arctic Steel Strainers are Superior to Others

All Arctic Steel water strainers are cast with 2205 stainless steel. This provides an exceptional level of corrosion resistance. Additionally, our strainers undergo an electro polishing process which removes contaminants from the surface exposing the pure stainless steel, providing a rich chromium film, as is evident by the shine of our stainless steel. This gives our already robust strainers a defense against corrosion superior to others on the market.



### Side In Side Out Range (SISO)



#### Features:

- free standing, base mounted
- offset inlet and outlet for improved performance
- secured by 5 wingnuts for safe, quick and easy access, no tools required
- swing down eye bolts eliminates need to remove nuts
- BSP or NPT thread available
- drain plug
- lower outlet position allows for applications that require a header tank or mounting above the waterline
- interchangeable polycarbonate lid available upon request
- 316 stainless steel mounting brackets and extension arms

#### Materials:

- electropolished AISI 2205 cast stainless steel body
- electropolished stainless steel lid
- cast anode connection point to combat galvanic corrosion
- 1" - 1½" come standard with full height, high impact resistant ABS basket
- 2" - 4" come standard with a full height 316 stainless steel basket

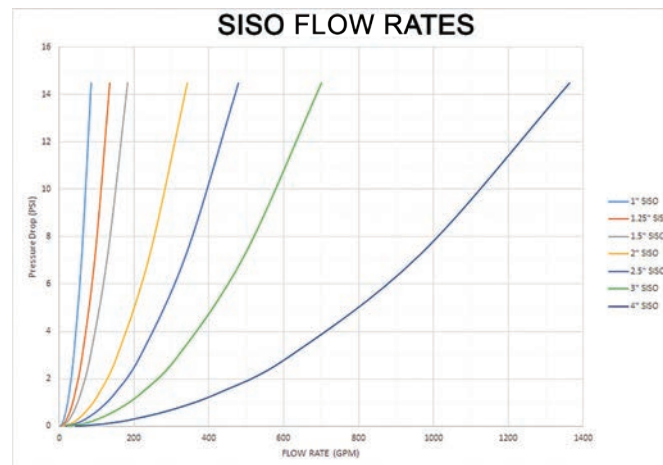
A Thread Size (Inlet / Outlet)	B Lid Width	C Height	D Body Width	Flow Rate 1.45 PSI US GPM <sup>3</sup>	Flow Rate 14.5 PSI US GPM <sup>3</sup>	Weight lbs. Solid Lid
1"-11½ male / female <sup>1</sup>	6"	9.3"	5.2"	25	85	8
1¼"-11½ male / female <sup>1</sup>	7.9"	10.6"	5.2"	40	126	15
1½"-11½ male / female <sup>1</sup>	7.9"	10.6"	5.2"	56	180	15.4
2"-11½ male / female <sup>2</sup>	7.9"	10.6"	5.2"	89	282	16
2½"-8 male / female <sup>2</sup>	9.25"	14.4"	6.5"	148	483	30
3"-8 male / female <sup>2</sup>	9.25"	14.4"	6.5"	228	743	32.6
4"-8 male / female <sup>2</sup>	10.7"	18.8"	8.7"	451	1450	45.2

<sup>1</sup> standard with ABS basket

<sup>2</sup> standard with 316 stainless steel

<sup>3</sup> flow rates calculated using clean ABS basket

### Flow Rates



## Arctic Steel Strainers

Arctic Steel water strainers were designed to be superior in every aspect. There is no welding to corrode in these robust one piece cast strainers. The inherent swirl action created by the offset outlet is designed to quickly scavenge air whilst maximizing the used area of the rugged full height basket. The efficient lid design ensures safe, quick and easy access for maintenance. Suitable for marine engines, generators and A/C units.



Strainers

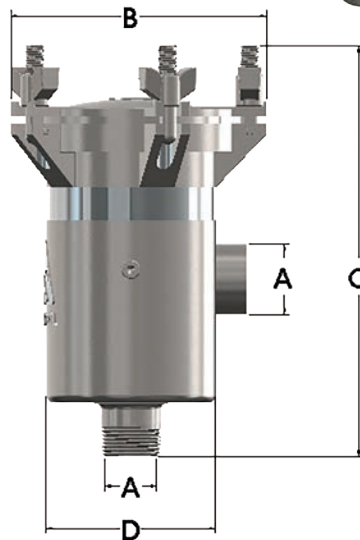
### Bottom In Side Out

**Features:**

- secured by 5 wingnuts for safe, quick and easy access, no tools required
- swing down eye bolts eliminates need to remove nuts
- BSP or NPT thread available
- full height, high impact resistant ABS basket
- interchangeable polycarbonate lid available upon request
- 316 stainless steel mounting brackets and extension arms upon request
- 316 stainless steel basket upon request

**Materials:**

- electropolished AISI 2205 cast stainless steel body
- solid stainless steel lid
- cast anode connection point to combat galvanic corrosion
- 1" - 1½" come standard with full height, high impact resistant ABS basket
- 2" - 4" come standard with a full height 316 stainless steel basket



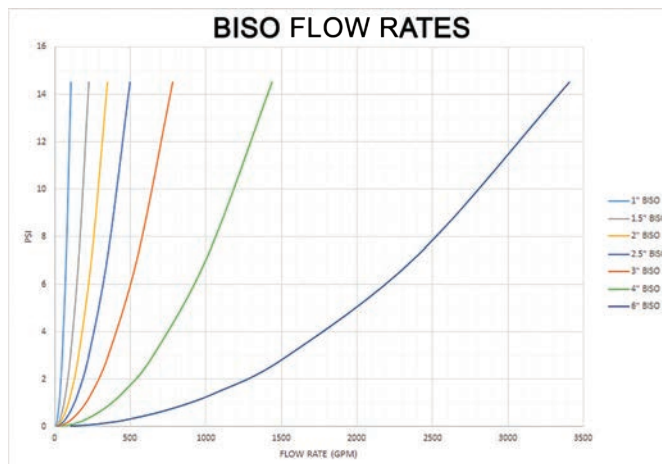
A Thread Size (Inlet / Outlet)	B Lid Width	C Height	D Body Width	Flow Rate 1.45 PSI US GPM <sup>3</sup>	Flow Rate 14.5 PSI US GPM <sup>3</sup>	Weight lbs. Solid Lid
1"-1½" male / female <sup>1</sup>	5.6"	8.3"	3.7"	37	114	8
1½"-1½" male / female <sup>1</sup>	5.6"	8.3"	3.7"	86	272	15
2"-1½" male / female <sup>2</sup>	7.9"	10.7"	5.5"	128	427	15.4
2½"-8 male / female <sup>2</sup>	7.9"	10.7"	5.5"	169	569	16
3"-8 male / female <sup>2</sup>	9.25"	13.1"	6.5"	257	792	30
4"-8 male / female <sup>2</sup>	10.7"	18.7"	8.7"	487	1545	32.6
6"-8 male / female <sup>2</sup>	14.2"	20.1"	12.2"	841	2718	45.2

<sup>1</sup> standard with ABS basket

<sup>2</sup> standard with 316 stainless steel

<sup>3</sup> flow rates calculated using clean ABS basket

### Flow Rates



# **Hydrasearch** COMMERCIAL



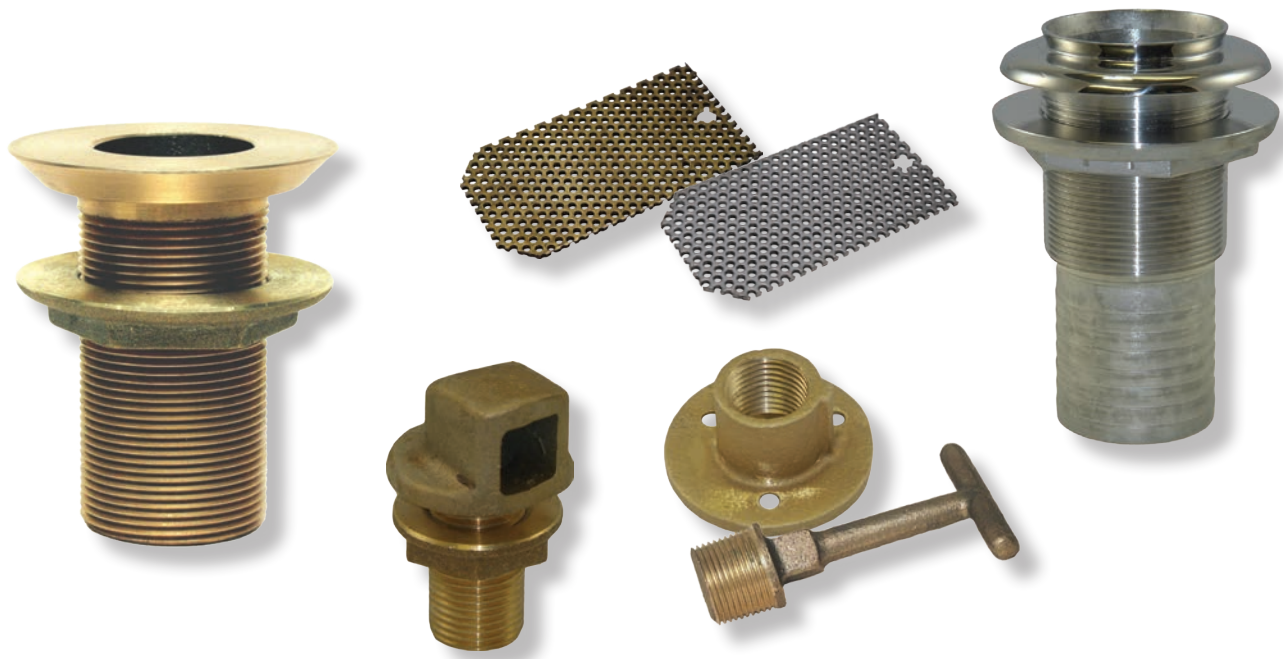
Hydrasearch is very proud to introduce its newest segment geared towards the commercial marine industry. Our product offerings include: vent check valves, raw water strainers, deck drains & sounding tube deck fittings, suction strainer boxes & bellmouths, full cast stainless steel rudders, and 100R5 hydraulic fittings. Many of our products are ABS approved. We proudly supply our hardware into the Workboat industry, including Offshore Support Vessels (OSV), offshore oil rigs, tugs, ferries, cargo vessels, barges, and defense vessels.

[hydrasearchcommercial.com](http://hydrasearchcommercial.com)



**Thru Hulls ..... 102 - 108**

Standard.....	102	Drain plugs.....	106-107
Bronze.....	102	Thru hull style.....	106
Extra long.....	102	With Tuff-Lite™ plugs.....	106
Stainless steel.....	102	Flange style.....	107
Hose end.....	103	With Tuff-Lite™ plugs.....	107
Bronze.....	103	With bronze plug and wrench.....	107
Stainless steel.....	103	With hex plug.....	107
Nylon/fiberglass.....	103	Gas tank vents.....	108
Flush type.....	104	With elbow.....	108
With perforated screen.....	104	With hose end.....	108
Water outlet.....	104	With hose end, gasket and washer.....	108
Fresh water washdown.....	104	With 90° hose end.....	108
Drip lip.....	105		
With hose end.....	105		
High speed pick-ups.....	105		
Step wrenches.....	105		



## Standard

### Bronze

#### Features:

- thru hulls have a major thread diameter that is same, or close to N.P.S. thread size
- machine finish
- flange nut included

Thru Hulls



Thread Size NPS	Stem Length Under Flange	Flange Diameter	Weight lbs.	Bronze Part #
3/8"	2 1/4"	1 9/16"	0.35	<b>00TH38</b>
1/2"	2 1/8"	1 13/16"	0.35	<b>00TH50</b>
3/4"	2 3/8"	2 1/16"	0.50	<b>00TH75</b>
1"	2 3/4"	2 3/8"	0.70	<b>00TH100</b>
1 1/4"	3 1/4"	3 1/16"	1.60	<b>00TH125</b>
1 1/2"	3 1/2"	3 3/8"	2.25	<b>00TH150</b>
2"	4"	3 5/8"	2.75	<b>00TH200</b>
2 1/2"	4"	4 1/32"	3.25	<b>00TH250</b>
3"	5"	4 1/16"	5.00	<b>00TH300</b>
4"	5 1/4"	5 3/4"	13.70	<b>00TH400</b>

#### Replacement Flange Nuts



Use With Standard Part #	Use With Extra Long Part #	Weight lbs.	Bronze Part #
00TH38	---	0.10	<b>00THN38</b>
00TH50	---	0.10	<b>00THN50</b>
00TH75	00TH75XL	0.15	<b>00THN75</b>
00TH100	00TH100XL	0.20	<b>00THN100</b>
00TH125	00TH125XL	0.35	<b>00THN125</b>
00TH150	00TH150XL	0.45	<b>00THN150</b>
00TH200	00TH200XL	0.50	<b>00THN200</b>
00THN250	---	0.55	<b>00THN250</b>
00THN300	---	0.85	<b>00THN300</b>
00THN400	---	1.90	<b>00THN400</b>

### Extra Long



Thread Size NPS	Stem Length Under Flange	Flange Diameter	Weight lbs.	Bronze Part #
3/4"	5 9/16"	2"	0.80	<b>00TH75XL</b>
1"	5 9/16"	2 1/2"	1.20	<b>00TH100XL</b>
1 1/4"	5 9/16"	3 1/16"	2.30	<b>00TH125XL</b>
1 1/2"	5 9/16"	3 3/8"	2.40	<b>00TH150XL</b>
2"	5 9/16"	3 5/8"	3.30	<b>00TH200XL</b>

### Stainless Steel

#### Features:

- polished finish
- nut and grounding washer included



Thread Size NPS	Stem Length Under Flange	Flange Diameter	Weight lbs.	316 Stainless Steel Part #
1/2"	2 3/8"	1 5/8"	0.30	<b>70TH050GS</b>
3/4"	2 3/4"	1 7/8"	0.50	<b>70TH075GS</b>
1"	2 7/8"	2 1/4"	0.70	<b>70TH100GS</b>
1 1/4"	3 1/8"	2 1/2"	0.90	<b>70TH125GS</b>
1 1/2"	3 1/8"	2 5/8"	1.25	<b>70TH150GS</b>
2"	4 1/8"	3 1/4"	2.00	<b>70TH200GS</b>
3"	5 3/8"	4 3/4"	4.75	<b>70TH300GS</b>

## Hose End

### Bronze

#### Features:

- machine finish
- flange nut included

Hose I.D.	Thread Size NPS	Stem Length Under Flange	Flange Diameter	Weight lbs.	Bronze Part #
5/8"	1/2"	3 3/8"	1 3/4"	0.50	<b>00THH062</b>
3/4"	3/4"	3 1/4"	2 1/16"	0.60	<b>00THH75</b>
1"	1"	3 1/4"	2 3/8"	0.80	<b>00THH100</b>
1 1/8"	1"	3 3/8"	2 3/8"	0.90	<b>00THH1125</b>
1 1/2"	1 1/2"	3 7/8"	3 5/32"	2.00	<b>00THH150</b>
2"	2"	3 1/4"	3 1/4"	2.50	<b>00THH200</b>
2 1/2"	2 1/2"	4 3/8"	4"	5.00	<b>00THH250</b>
3"	3"	5 1/2"	4 3/4"	8.60	<b>00THH300</b>
4"	4"	6"	5 3/4"	13.00	<b>00THH400</b>



Thru Hulls

#### Replacement Flange Nuts

Use With Part #	Weight lbs.	Bronze Part #
00THH062	0.10	<b>00THN50</b>
00THH75	0.10	<b>00THN75</b>
00THH100	0.20	<b>00THN100</b>
00THH1125	0.20	
00THH150	0.45	<b>00THN150</b>
00THH200	1.10	<b>00SLN100FG</b>
00THH250	1.15	<b>00SLN138FG</b>
00THH300	0.85	<b>00THN300</b>
00THH400	2.50	<b>00SLN275FG</b>



### Stainless Steel

#### Features:

- polished finish
- nut and grounding washer included

Hose I.D.	Stem Length Under Flange	Flange Diameter	Weight lbs.	Stainless Steel Part #
5/8"	3"	1 1/2"	0.40	<b>70THH625</b>
3/4"	3"	1 1/2"	0.60	<b>70THH75</b>
1"	3 13/64"	2"	0.75	<b>70THH100</b>
1 1/8"	3 13/32"	2"	0.70	<b>70THH112</b>
1 1/4"	3 19/32"	2 45/64"	1.30	<b>70THH125</b>
1 1/2"	3 51/64"	2 3/4"	1.20	<b>70THH150</b>
2"	4"	2 13/32"	1.80	<b>70THH200</b>



### Nylon/Fiberglass

#### Features:

- polished stainless steel cap
- nylon/fiberglass flange nut

Hose I.D.	Stem Length Under Flange	Flange Diameter	Weight lbs.	Part #
5/8"	3"	1 1/2"	0.40	<b>70THH625</b>
3/4"	3"	1 1/2"	0.60	<b>70THH75</b>
1"	3 13/64"	2"	0.75	<b>70THH100</b>
1 1/8"	3 13/32"	2"	0.70	<b>70THH112</b>
1 1/4"	3 19/32"	2 45/64"	1.30	<b>70THH125</b>
1 1/2"	3 51/64"	2 3/4"	1.20	<b>70THH150</b>
2"	4"	2 13/32"	1.80	<b>70THH200</b>





### Flush Type

Thru Hulls



- Features:**
- machined finish
  - flange nut included

Thread Size NPS	Stem Length Under Flange	Flange Diameter	Flange Thickness	Flange Angle	Weight lbs.	Bronze Part #
1/2"	2 <sup>5</sup> / <sub>16</sub> "	2 1/2"	3/8"	45°	0.60	<b>00TH50F</b>
3/4"	2 <sup>5</sup> / <sub>16</sub> "	2 1/2"	3/8"	45°	0.80	<b>00TH75F</b>
1"	2 1/2"	3"	3/8"	45°	1.10	<b>00TH100F</b>
1 1/4"	3 1/8"	3"	3/8"	45°	1.50	<b>00TH125F</b>
1 1/2"	3 3/8"	3 1/4"	3/8"	45°	1.75	<b>00TH150F</b>

### Flush Type With Perforated Screen



Thread Size NPS	Stem Length Under Flange	Flange Diameter	Flange Thickness	Flange Angle	Weight lbs.	Bronze Part #
1/2"	2 <sup>5</sup> / <sub>16</sub> "	2 1/2"	3/8"	45°	0.60	<b>00TH50FS</b>
3/4"	2 <sup>5</sup> / <sub>16</sub> "	2 1/2"	3/8"	45°	0.80	<b>00TH75FS</b>
1"	2 1/2"	3"	3/8"	45°	1.10	<b>00TH100FS</b>
1 1/4"	3 1/8"	3"	3/8"	45°	1.50	<b>00TH125FS</b>
1 1/2"	3 3/8"	3 1/4"	3/8"	45°	1.75	<b>00TH150FS</b>

### Replacement Flange Nuts



For Use With Part #	Weight lbs.	Bronze Part #
00TH50F 00TH50FS	0.10	<b>00THN50</b>
00TH75F 00TH75FS	0.15	<b>00THN75</b>
00TH100F 00TH100FS	0.20	<b>00THN100</b>
00TH125F 00TH125FS	0.35	<b>00THN125</b>
00TH150F 00TH150FS	0.45	<b>00THN150</b>

### Water Outlets



- Material:**
- available in cast bronze, white powder coated or polished stainless steel finish
- Feature:**
- flange nut included

Thread Size NPS	Stem Length Under Flange	Flange Diameter	Weight lbs.	Stainless Steel Part #
3/4"	4"	2 5/8"	1.35	<b>70TH75WO</b>

### Fresh Water Washdown



- Features:**
- complete with nylon fitting, chrome cap & cast bronze flanged nut
  - cast finish

Thru Hull Size NPT	Cap Thread Size GHT	Nylon Fitting Thread GHT	Overall Height	Weight lbs.	Bronze Part #
3/4"	5/8"	5/8"	3"	0.75	<b>02THTR0625</b>

Drip Lips

Features:

- polished finish
- flange nut included

Thread Size NPS	Stem Length Under Flange	Flange Diameter	Weight lbs.	316 Stainless Steel Part #
2"	3¾"	3¼"	1.70	<b>70TH200DL</b>



Thru Hulls

70THH200DL

Drip Lip with Hose End

Hose I.D.	Thread Size NPS	Stem Length Under Flange	Flange Diameter	Weight lbs.	316 Stainless Steel Part #
2"	2"	4½"	3¼"	1.85	<b>70THH200DL</b>



High Speed Pick-Ups

Features:

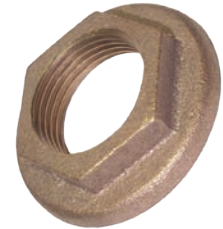
- machined finish
- flange nut included

Thread Size NPS	Stem Length Under Flange	Flange Diameter	Weight lbs.	Bronze Part #
¾"	2⅜"	2⅛"	0.45	<b>00TH75HS</b>
1"	2¾"	2⅜"	0.60	<b>00TH100HS</b>
1½"	3½"	3½"	2.20	<b>00TH150HS</b>



Replacement Flange Nuts for Bronze High Speed Pick-Ups

Weight lbs.	Use With Part #'s	Bronze Part #
0.15	00TH75HS	<b>00THN75</b>
0.20	00TH100HS	<b>00THN100</b>
0.45	00TH150HS	<b>00THN150</b>

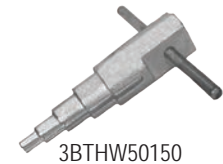


Step Wrenches

Feature:

- designed for use with Hydrasearch thru hulls

Fits Thru Hulls Min to Max	Overall Length	Weight lbs.	Plated Malleable Iron Part #
½" - 1½"	6¼"	2.90	<b>3BTHW50150</b>
2" - 2½"	4½"	2.25	<b>3BTHW20250</b>
3"	2¾"	2.60	<b>3BTHW300</b>



3BTHW50150



3BTHW20250



3BTHW300

### Thru Hull Style with T-Handle



**Feature:**

- flange nut and T-handle included

Plug Size NPT	Stem Length Under Flange	Flange Diameter	Weight lbs.	Bronze Part #
1/2"	1 1/8"	2 3/16"	0.65	<b>00DPN84LT</b>
1/2"	1 5/8"	2 1/4"	0.75	<b>00DPN84ET</b>

#### Replacement Parts



00DP84TH

Use With Part Numbers	Description	Bronze Part #
00DPN84LT 00DPN84ET	T-Handle	<b>00DP84TH</b>
00DPN84LT 00DPN84ET	Flange Nut	<b>00THN75</b>

### Thru Hull Style With Tuff-Lite™ Plug



**Feature:**

- flange nut and Tuff-Lite™ plug included

Plug Size NPT	Stem Length Under Flange	Flange Diameter	Weight lbs.	Part #
1/2"	1 1/8"	2 3/16"	0.65	<b>00DPN84L</b>
1/2"	1 5/8"	2 1/4"	0.75	<b>00DPN84E</b>
3/4"	1 1/4"	2 1/2"	1.15	<b>00DPN105</b>

#### Replacement Parts



Use With Part Numbers	Description	Part #
00DPN84L 00DPN84E	Tuff-Lite™ Plug	<b>60TPS4</b>
00DPN84L 00DPN84E	Flange Nut	<b>00THN75</b>
00DPN105	Tuff-Lite™ Plug	<b>60TPS6</b>
00DPN105	Flange Nut	<b>00THN100</b>

## Drain Plugs

### Flange Style

**Feature:**

- T-handle included

Plug Size NPT	Hub Length Under Flange	Flange Diameter	Overall Height	C. S. Screw Size	Weight lbs.	Bronze Part #
1/2"	3/4"	2"	3"	#8	0.65	<b>00DP84T</b>



Thru Hulls

#### Replacement Part

Description	Use With Part Number	Bronze Part #
T-Handle	00DP84T	<b>00DP84TH</b>

### Flange Style With Tuff-Lite™ Plugs

**Feature:**

- flange nut and Tuff-Lite™ plug included

Plug Size NPT	Hub Length Under Flange	Flange Diameter	Overall Height	C. S. Screw Size	Weight lbs.	Bronze Part #
1/2"	3/4"	2"	1 1/4"	#8	0.25	<b>00DP84</b>



#### Replacement Part

Description	Use With Part Number	Nylon Part #
Tuff-Lite™ plug	00DP84	<b>00DP84T</b>

### Flange Style With Bronze Plug and Wrench

**Feature:**

- flange nut and Tuff-Lite™ plug included

Plug Size NPT	Hub Length Under Flange	Flange Diameter	Screw Size	Weight lbs.	Bronze Part #
1"	7/8"	3 1/8"	#8	1.20	<b>00DP100</b>



#### Replacement Parts

Description	Use With Part Number	Part #
Bronze Plug	00DP100	<b>00DP100P</b>
Wrench	00DP100	<b>BBSW50</b>

### Flange Style With Hex Plug

**Feature:**

- flange nut and Tuff-Lite™ plug included

Plug Size NPT	Hub Length Under Flange	Flange Diameter	Screw Size	Weight lbs.	Bronze Part #
1/2"	7/8"	2 5/8"	#8	0.25	<b>SIGARPLUG5</b>



#### Replacement Part

Description	Use With Part Number	Bronze Part #
Hex Plug	SIGARPLUG5	<b>00TPS4</b>

**Gas Tank Vents**

Thru Hulls



**Features:**

- available in cast bronze or polished 316 stainless steel finish
- flanged nut included

Thread Size NPT	Stem Length Under Range	Flange Diameter	Weight	Cast Bronze Part #	Stainless Steel Part #
3/8"	1 1/2"	1 1/2"	0.30	<b>00GTVN38</b>	<b>70GTVN38</b>
1/2"	1 1/2"	1 1/2"	0.35	<b>00GTVN50</b>	<b>70GTVN50</b>

**Vents With Elbow**



**Features:**

- available in cast bronze or polished 316 stainless steel finish
- flanged nut and bronze elbow included

Thru Hull Thread Size, NPS	Elbow Thread Size, NPT	Stem Length Under Flange	Flange Diameter	Weight	Cast Bronze Part #	Stainless Steel Part #
3/8"	3/8"	1 1/2"	1 1/2"	0.30	<b>00GTVVF38</b>	<b>70GTVVF38</b>
1/2"	1/2"	1 1/2"	1 1/2"	0.35	<b>00GTVVF50</b>	<b>70GTVVF50</b>

**Vents With Hose End**



**Features:**

- available in cast bronze or polished 316 stainless steel finish
- flanged nut included

Thru Hull Thread Size, NPS	Elbow Thread Size, NPT	Stem Length Under Flange	Flange Diameter	Weight	Cast Bronze Part #	Stainless Steel Part #
1/2"	5/8"	2"	1 1/2"	0.40	<b>00GTVN50H</b>	<b>70GTVN50H</b>

**Vents With Hose End, Gasket and Washer**



**Feature:**

- nut, rubber gasket, and star washer included

Thru Hull Thread Size, NPS	Elbow Thread Size, NPT	Stem Length Under Flange	Flange Diameter	Weight	Stainless Steel Part #
1/2"	5/8"	2 1/4"	1"	0.25	<b>70GTVN58HS</b>

**Vents With 90° Hose End**



**Feature:**

- 90° hose end

Thru Hull Thread Size, NPS	Elbow Thread Size, NPT	Stem Length Under Flange	Flange Diameter	Weight	Stainless Steel Part #
1/2"	5/8"	3"	1"	0.25	<b>70GTVN58EHS</b>

**Valves** ..... 110 - 114

Ball valves ..... 110

Ball type seacocks ..... 111

Low profile ball valves ..... 112

Gate valves ..... 113

Mini valves ..... 113

316 stainless ball valves ..... 114





## Ball Valves


**Application:**

- full flow ball valve used for water, oil or gas

**Materials:**

- valve: bronze
- ball: chrome
- handle: vinyl coated 430 stainless steel, aluminum handles for larger sizes

**Specifications:**

- 600 PSI
- failure to properly winterize may cause damage to valve

Thread Size NPT	Overall Height of Casting	Weight lbs.	Bronze Part #
1/4"	2"	0.45	<b>00BBV25FSS</b>
3/8"	2 <sup>1</sup> / <sub>16</sub> "	0.45	<b>00BBV38FSS</b>
1/2"	2 <sup>1</sup> / <sub>2</sub> "	0.65	<b>00BBV50FSS</b>
3/4"	2 <sup>3</sup> / <sub>4</sub> "	0.95	<b>00BBV75FSS</b>
1"	3 <sup>1</sup> / <sub>8</sub> "	1.50	<b>00BBV100FS</b>
1 <sup>1</sup> / <sub>4</sub> "	3 <sup>7</sup> / <sub>16</sub> "	2.30	<b>00BBV125FS</b>
1 <sup>1</sup> / <sub>2</sub> "	3 <sup>7</sup> / <sub>8</sub> "	3.10	<b>00BBV150FS</b>
2"	4 <sup>7</sup> / <sub>16</sub> "	4.95	<b>00BBV200FA</b> <sup>1</sup>
2 <sup>1</sup> / <sub>2</sub> "	5 <sup>5</sup> / <sub>8</sub> "	10.00	<b>00BBV250FA</b> <sup>1</sup>
3"	6 <sup>5</sup> / <sub>8</sub> "	16.00	<b>00BBV300FA</b> <sup>1</sup>
4"	7 <sup>1</sup> / <sub>2</sub> "	29.00	<b>00BBV400FA</b> <sup>1</sup>

<sup>1</sup> only available in a black coated aluminum handle.

### Replacement Handles

- vinyl coated stainless steel handle and nut included



Overall Handle Length	Mounting Hole Size	Use With Part #	Part #
4 <sup>3</sup> / <sub>8</sub> "	3/16" x 9/32"	00BBV25FSS	<b>BBVKIT25</b>
4 <sup>3</sup> / <sub>8</sub> "	3/16" x 9/32"	00BBV38FSS	<b>BBVKIT38</b>
4 <sup>3</sup> / <sub>8</sub> "	3/16" x 9/32"	00BBV50FSS	<b>BBVKIT50</b>
5 <sup>3</sup> / <sub>8</sub> "	1/4" x 3/8"	00BBV75FSS	<b>BBVKIT75</b>
5 <sup>3</sup> / <sub>8</sub> "	1/4" x 3/8"	00BBV100FS	<b>BBVKIT100</b>
6 <sup>3</sup> / <sub>4</sub> "	5/16" x 1/2"	00BBV125FS	<b>BBVKIT125</b>
6 <sup>3</sup> / <sub>4</sub> "	5/16" x 1/2"	00BBV150FS	<b>BBVKIT150</b>
7 <sup>1</sup> / <sub>2</sub> "	13/32" x 5/8"	00BBV200FA*	<b>BBVKIT200</b> <sup>1,2</sup>
9"	1/2" x 1/2"	00BBV250FA*	<b>BBVKIT250</b> <sup>1,2</sup>
9"	1/2" x 1/2"	00BBV300FA*	<b>BBVKIT300</b> <sup>1,2</sup>
11 <sup>1</sup> / <sub>2</sub> "	3/4" x 3/4"	00BBV400FA*	<b>BBVKIT400</b> <sup>1,2</sup>

<sup>1</sup> only available in a black coated aluminum handle

<sup>2</sup> does not come with a vinyl coated handle

## Ball Type Seacocks

### Application:

- can be used for water, oil or gas

### Materials:

- handle: vinyl coated 304 stainless steel
- ball: chrome

### Features:

- drain plug and grounding screw
- full flow
- low profile

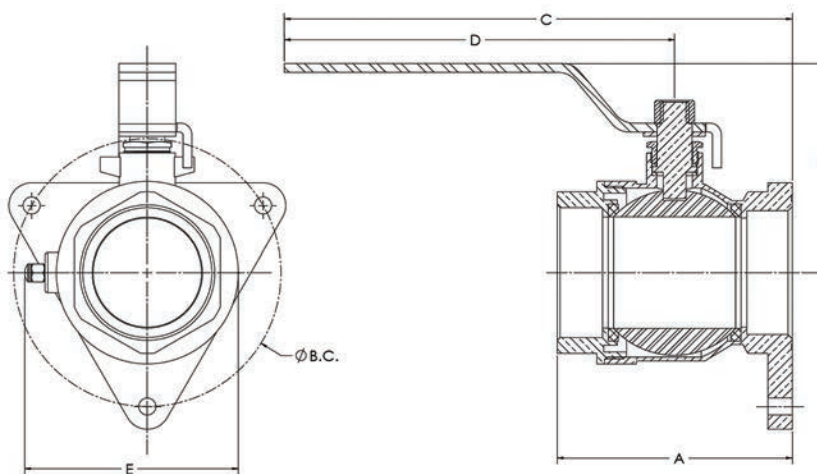
### Specifications:

- **600 PSI**
- failure to properly winterize may cause damage to valve
- failure to regularly exercise valve handle may result in valve failure

### Approval:

- UL listed (1121)

Thread Size NPT	Dimensions					Bolt Circle	Weight lbs.	Bronze Part #
	A	B	C	D	E			
3/4"	2.677	1.968	4.961	3.622	2.248	3 1/8"	1.60	<b>00BBV75LP</b>
1"	3.307	2.086	5.276	3.622	2.614	3 3/8"	2.15	<b>00BBV100LP</b>
1 1/4"	3.740	2.716	6.279	4.409	3.094	3 5/8"	4.00	<b>00BBV125LP</b>
1 1/2"	4.055	3.149	8.130	6.102	3.508	4 1/2"	5.50	<b>00BBV150LP</b>
2"	4.566	3.385	8.385	6.102	4.315	5"	10.90	<b>00BBV200LP</b>
2 1/2"	6.141	4.842	11.535	8.464	5.398	5 7/8"	11.30	<b>00BBV250LP</b>
3"	6.653	5.157	11.791	8.464	6.145	7"	19.80	<b>00BBV300LP</b>
4"	8.369	5.826	12.649	8.464	7.839	8 1/2"	34.00	<b>00BBV400LP</b>



### Replacement Handles

#### Feature:

- complete with vinyl coated stainless steel handle and nut

Overall Handle Length	Mounting Hole Size	Use With Part #	Part #
4 1/4"	3/16" x 5/16"	00ASC75LP	<b>BBVKIT75LP</b>
4 1/4"	3/16" x 5/16"	00ASC100LP	<b>BBVKIT100LP</b>
5"	5/16" x 7/16"	00ASC125LP	<b>BBVKIT125LP</b>
7"	3/8" x 1/2"	00ASC150LP	<b>BBVKIT150LP</b>
7"	1/2" x 11/16"	00ASC200LP	<b>BBVKIT200LP</b>
9 1/4"	5/8" x 5/8"	00ASC250LP	<b>BBVKIT250LP</b> <sup>1,2</sup>
9 1/4"	5/8" x 5/8"	00ASC300LP	<b>BBVKIT300LP</b> <sup>1,2</sup>
9 1/4"	5/8" x 5/8"	00ASC400LP	<b>BBVKIT400LP</b> <sup>1,2</sup>



## Low Profile Ball Valves

Valves



**Application:**

- can be used for water, oil or gas

**Materials:**

- handle: vinyl coated 304 stainless steel
- ball: chrome

**Features:**

- drain plug and grounding screw
- full flow
- low profile

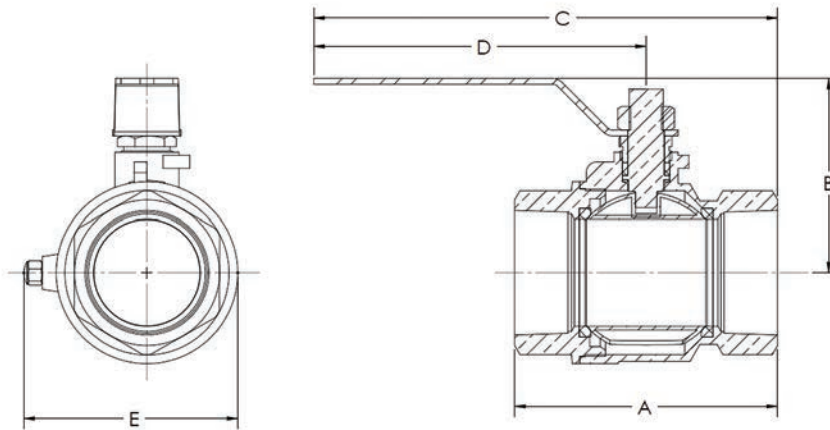
**Specification:**

- **600 PSI**
- failure to properly winterize may cause damage to valve
- failure to regularly exercise valve handle may result in valve failure

**Approval:**

- UL listed (1121)

Thread Size NPT	Dimensions					Weight lbs.	Bronze Part #
	A	B	C	D	E		
3/8"	1.811	0.496	4.252	3.346	1.516	0.45	<b>00BBV38LP</b>
1/2"	2.377	1.732	4.811	3.622	1.972	0.70	<b>00BBV50LP</b>
3/4"	2.677	1.968	4.961	3.622	2.248	0.95	<b>00BBV75LP</b>
1"	3.307	2.086	5.276	3.622	2.614	1.60	<b>00BBV100LP</b>
1 1/4"	3.740	2.716	6.279	4.409	3.094	2.50	<b>00BBV125LP</b>
1 1/2"	4.055	3.149	8.130	6.102	3.508	3.30	<b>00BBV150LP</b>
2"	4.566	3.385	8.385	6.102	4.315	4.95	<b>00BBV200LP</b>
2 1/2"	6.141	4.842	11.535	8.464	5.398	9.50	<b>00BBV250LP</b>
3"	6.653	5.157	11.791	8.464	6.145	13.20	<b>00BBV300LP</b>
4"	8.369	5.826	12.649	8.464	7.839	18.80	<b>00BBV400LP</b>



### Replacement Handles

**Feature:**

- complete with vinyl coated stainless steel handle and nut

Overall Handle Length	Mounting Hole Size	Use With Part #	Part #
4"	3/16" X 5/16"	00BBV38LP	<b>BBVKIT38LP</b>
4"	3/16" X 5/16"	00BBV50LP	<b>BBVKIT50LP</b>
4 1/4"	3/16" X 5/16"	00BBV75LP	<b>BBVKIT75LP</b>
4 1/4"	3/16" X 5/16"	00BBV100LP	<b>BBVKIT100LP</b>
5"	5/16" X 7/16"	00BBV125LP	<b>BBVKIT125LP</b>
7"	3/8" X 1/2"	00BBV150LP	<b>BBVKIT150LP</b>
7"	1/2" X 11/16"	00BBV200LP	<b>BBVKIT200LP</b>
9 1/4"	5/8" X 5/8"	00BBV250LP	<b>BBVKIT250LP</b> <sup>1,2</sup>
9 1/4"	5/8" X 5/8"	00BBV300LP	<b>BBVKIT300LP</b> <sup>1,2</sup>
9 1/4"	5/8" X 5/8"	00BBV400LP	<b>BBVKIT400LP</b> <sup>1,2</sup>

## Gate Valves

**Application:**

- can be used for water, oil or gas

**Materials:**

- valve: bronze
- handle: iron

**Features:**

- non-rising stem
- solid wedge disc
- threaded bonnet
- integral seat
- adjustable packing nut

**Specifications:**

- **200 PSI**
- failure to properly winterize may cause damage to valve
- failure to regularly exercise valve handle may result in valve failure

Thread Size NPT	Overall Height of Casting	Weight lbs.	Bronze Part #
3/8"	1 5/8"	0.55	<b>00GV38</b>
1/2"	1 11/16"	0.65	<b>00GV50</b>
3/4"	1 7/8"	1.00	<b>00GV75</b>
1"	2 3/16"	1.80	<b>00GV100</b>
1 1/4"	2 1/4"	2.00	<b>00GV125</b>
1 1/2"	2 7/16"	2.75	<b>00GV150</b>
2"	2 3/4"	4.00	<b>00GV200</b>
2 1/2"	3 3/4"	6.50	<b>00GV250</b>
3"	4"	9.50	<b>00GV300</b>



Valves

## Mini Valves

**Application:**

- can be used for water and gas

**Materials:**

- valve: nickle plated brass
- seats: Teflon™
- stem seal: Buna-N

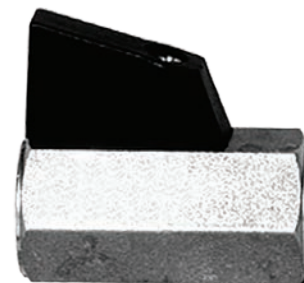
**Feature:**

- blow-out proof stem

**Specifications:**

- **150 PSI**
- temperature up to 150°F
- failure to properly winterize may cause damage to valve
- failure to regularly exercise valve handle may result in valve failure

Thread Size NPT	Overall Length of Casting	Weight lbs.	Nickle Plated Brass Part #
1/4"	1 1/16"	0.20	<b>MBV25</b>
3/8"	1 11/16"	0.20	<b>MBV38</b>
1/2"	2 3/16"	0.20	<b>MBV50</b>



316 Stainless Steel

Valves



**Application:**

- can be used for water, oil or gas

**Materials:**

- body & stem: 316 stainless steel
- seat, joint gasket & washer: Teflon™

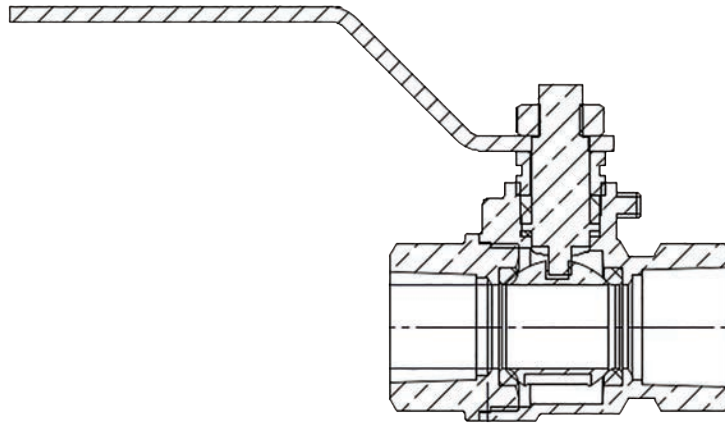
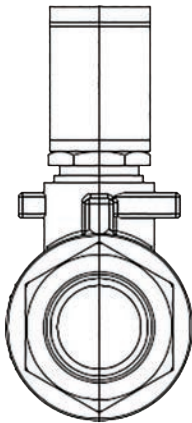
**Feature:**

- full-flow

**Specifications:**

- **800 PSI**
- temperature range -60°F to 450°F
- failure to properly winterize may cause damage to valve
- failure to regularly exercise valve handle may result in valve failure

Thread Size NPT	Overall Height of Casting	Weight lbs.	316 Stainless Steel Part #
1/4"	2 1/8"	0.70	<b>70SSBV25</b>
3/8"	2 1/8"	0.65	<b>70SSBV38</b>
1/2"	2 1/2"	1.05	<b>70SSBV50</b>
3/4"	3"	1.30	<b>70SSBV75</b>
1"	3 1/2"	2.35	<b>70SSBV100</b>
1 1/4"	4"	3.40	<b>70SSBV125</b>
1 1/2"	4 3/8"	5.10	<b>70SSBV150</b>
2"	4 15/16"	7.50	<b>70SSBV200</b>
2 1/2"	6 3/8"	15.00	<b>70SSBV250</b>
3"	7"	28.00	<b>70SSBV300</b>



## Miscellaneous Hardware ..... 116 - 117

Oar locks .....	116
Standard style .....	116
Ring style .....	116
North River.....	116
Davis style.....	116
Oar lock brackets.....	116
Top mount .....	116
Side mount.....	116
Top & side mount .....	116
Bronze backing plate for hull zinc.....	117
Swordfish dart & shank sets.....	117





Oar Locks

Misc.  
Hardware

**Materials:**

- standard style and ring style: malleable iron or cast bronze
- north river style: cast bronze

**Features:**

- sold in pairs
- Davis style includes bracket

**Standard Style**



Oar Lock Size #	Horn I.D.	Overall Height	Stem Length Under Flange	Shank O.D.	Weight lbs.	Malleable Iron Part #	Cast Bronze Part #
0	2 1/8"	5"	2"	1/2"	0.90	<b>33OL4H</b>	<b>00OL4HB</b>
0	2"	5 1/4"	2 1/8"	1/2"	0.75	<b>33OL5RO</b>	<b>00OL5ROB</b>

**Ring Style**



Oar Lock Size #	Horn I.D.	Overall Height	Stem Length Under Flange	Shank O.D.	Weight lbs.	Malleable Iron Part #	Cast Bronze Part #
1	2 1/4"	5 1/2"	2 1/8"	1/2"	1.00	<b>33OL5R1</b>	<b>00OL5R1B</b>

**North River Style**



Oar Lock Size #	Horn I.D.	Overall Height	Stem Length Under Flange	Shank O.D.	Weight lbs.	Cast Bronze Part #
0	2"	5"	2 1/4"	1/2"	1.00	<b>00OL1HB</b>

**Davis Style**



Horn I.D.	Overall Height	Stem Length Under Flange	Shank O.D.	Base Height	Base Width	Screw C to C	C. S. Screw Size	Weight lbs.	Malleable Iron Part #
2 1/8"	5 1/2"	2 1/8"	5/8"	2 1/4"	3 1/4"	2 1/4" x 1"	#10	2.10	<b>33OL2</b>

Oar Lock Brackets

**Feature:**

- sold in pairs

**Top Mount**



Flange Width	Flange Length	Length Under Flange	Hole I.D.	Screw C to C	C. S. Screw Size	Weight lbs.	Cast Bronze Part #
1 1/8"	3 1/4"	1 1/4"	1/2"	2 1/2"	#10	0.50	<b>00OL5FB</b>

**Side Mount**



Flange Width	Flange Length	Hub Length	Hole I.D.	C. S. Screw Size	Weight lbs.	Cast Bronze Part #
7/8"	3 7/8"	1 3/8"	1/2"	#10	0.70	<b>00OL5SB</b>

**Top & Side Mount**



Overall Width	Overall Height	Hole I.D.	C. S. Screw Size	Weight lbs.	Cast Bronze Part #
4"	1 1/4"	1/2"	#10	0.50	<b>00OL5AB</b>

Backing Plates for Hull Zinc

Overall Length	Overall Width	Overall Thickness	Screw C to C	C. S. Screw Size	Center Bolt Thread Size	Weight lbs.	Bronze Part #
9½"	4½"	7/16"	5¼"	5/16"	¾"-16 NC2	3.50	<b>10ZP900BP</b>



Misc.  
Hardware

**Swordfish Dart & Shank Sets**

**Materials:**

- dart: cast bronze
- shank: steel
- socket: cast bronze

**Features:**

- sold in complete sets
- replacement parts sold individually

O.A.L.	Length of Dart	Diameter of Hole in Dart	Socket Diameter	Weight lbs.	Stainless Steel Part #	Bronze Part #
28"	4¾"	5/16"	1¾"	1.50	<b>70DS500</b>	<b>00DS500</b>



**Replacement Parts**

Description	Weight lbs.	Stainless Steel Part #	Bronze Part #
dart	1.50	<b>70SFD500</b>	<b>00SFD500</b>
shank	1.50	<b>80DS500R</b>	---
socket	1.50	---	<b>00DS500F</b>



dart  
70SFD500



shank  
00DS500R

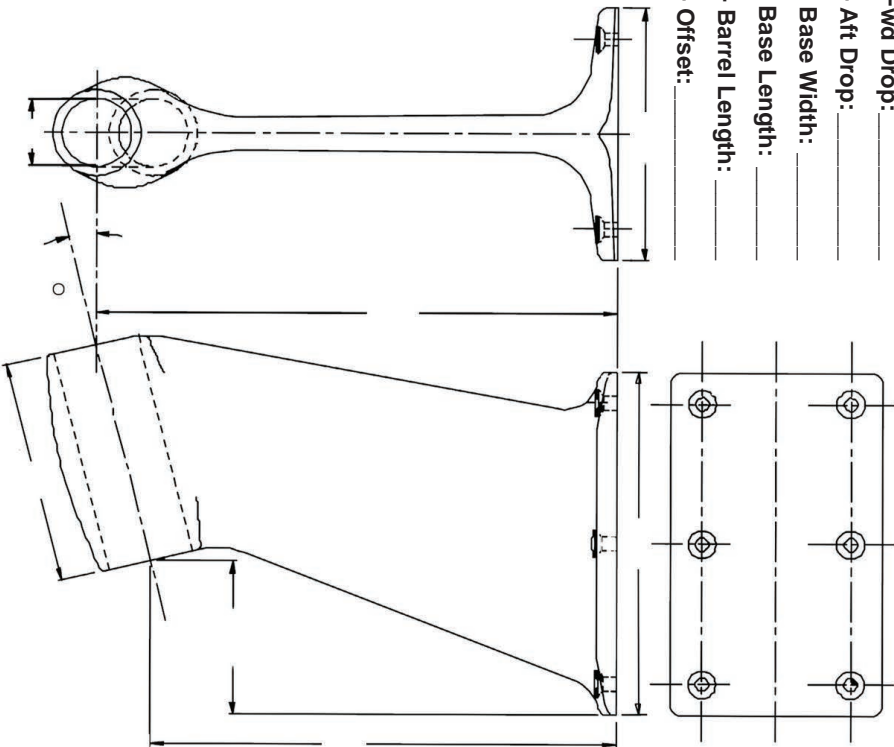


socket  
00DS500F

## Strut Reference Diagrams

### 90° Main Strut

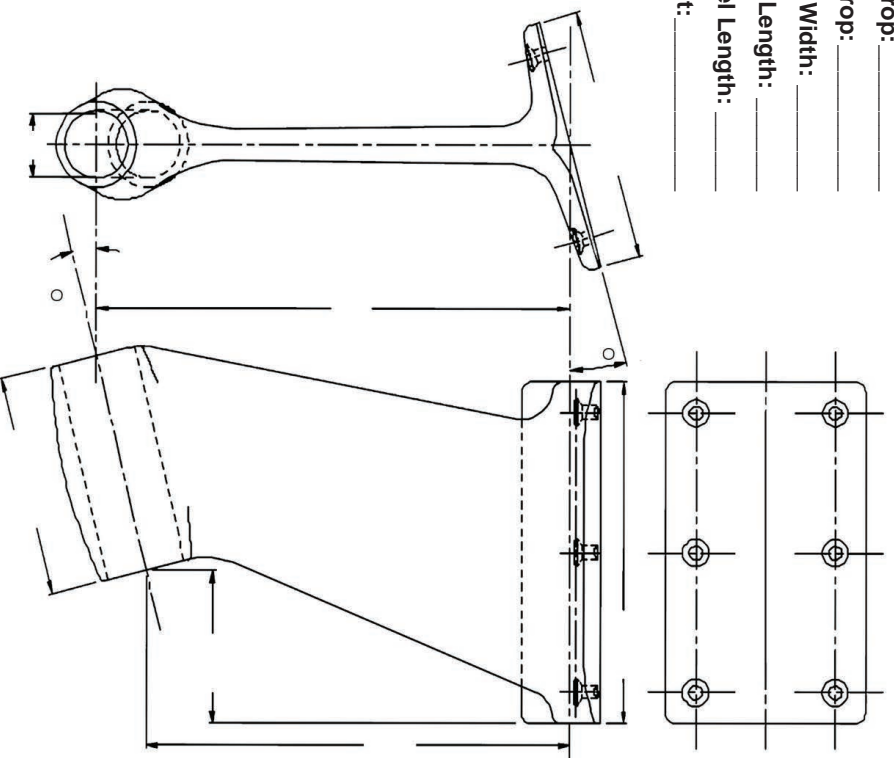
- (A) - Bore Size: \_\_\_\_\_
- (B) - Shaft Angle: \_\_\_\_\_
- (C) Fwd Drop: \_\_\_\_\_
- (D) - Aft Drop: \_\_\_\_\_
- (E) - Base Width: \_\_\_\_\_
- (F) - Base Length: \_\_\_\_\_
- (G) - Barrel Length: \_\_\_\_\_
- (H) - Offset: \_\_\_\_\_



Describe bolt-hole layout:  
size, style, locations, quantity, etc.

### Port & Starboard Main Strut

- (A) - Bore Size: \_\_\_\_\_
- (B) - Shaft Angle: \_\_\_\_\_
- (C) Fwd Drop: \_\_\_\_\_
- (D) - Aft Drop: \_\_\_\_\_
- (E) - Base Width: \_\_\_\_\_
- (F) - Base Length: \_\_\_\_\_
- (G) - Barrel Length: \_\_\_\_\_
- (H) - Offset: \_\_\_\_\_



Describe bolt-hole layout:  
size, style, locations, quantity, etc.

Company: \_\_\_\_\_

Phone: \_\_\_\_\_

Email: \_\_\_\_\_

Fax: \_\_\_\_\_

Contact: \_\_\_\_\_

Replacement Part? \_\_\_\_\_

Custom Casting? \_\_\_\_\_

Manufacturer: \_\_\_\_\_

Year: \_\_\_\_\_

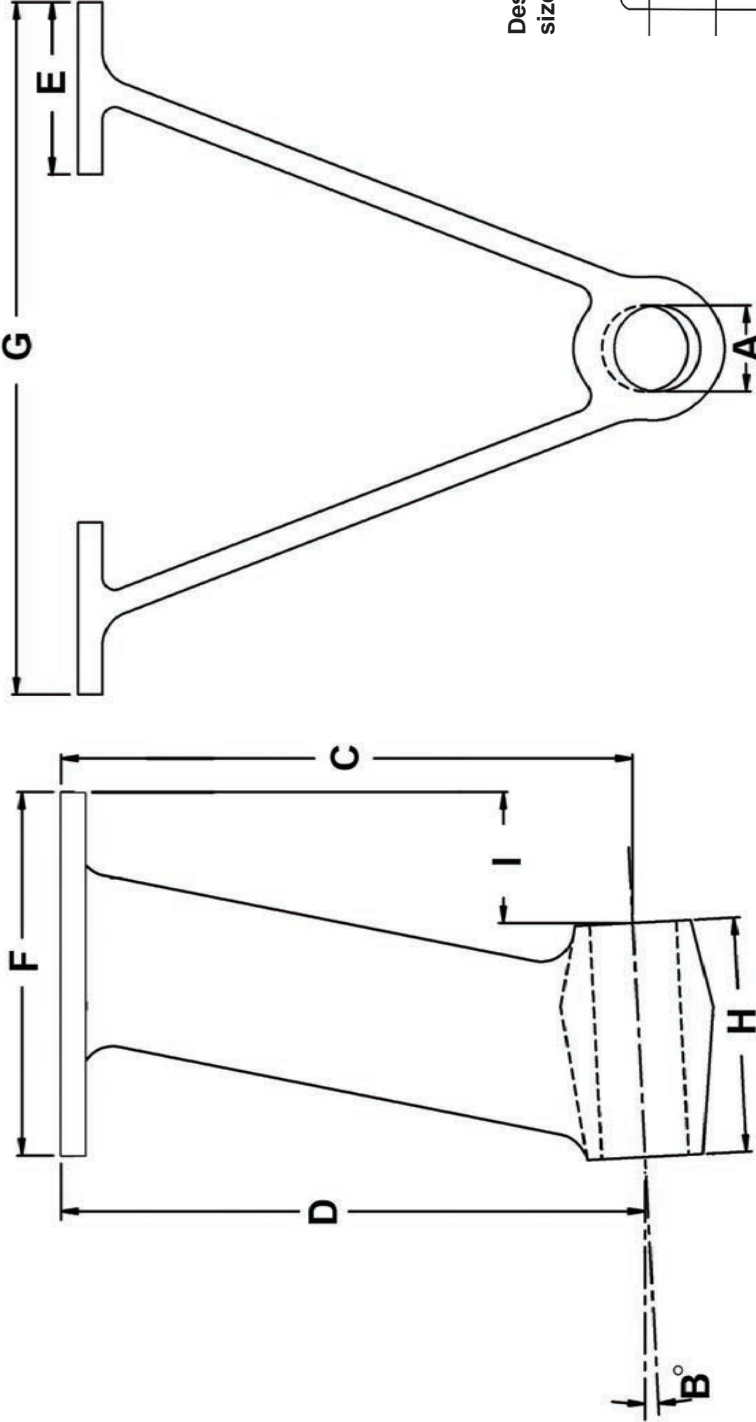
Shaft Diameter: \_\_\_\_\_

Hydrasearch specializes in custom castings. If you would like us to quote on a special strut or you only have the dimensions of the existing strut you are trying to match please find the diagram above that would best fit your application. Fill in the blanks with the dimensions you are looking for and fax it back to us at (410) 643-7777 or simply email it to us at sales@hydrasearch.com. We will do our best to find a strut that we currently have in stock that best matches the dimensions given or quote you on a custom strut. If you have any questions or concerns please contact our knowledgeable sales staff to help guide you through the process.

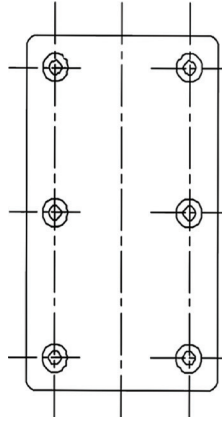
# Strut Reference Diagrams

## V Strut Diagram

- (A) - Bore Size: \_\_\_\_\_
- (B) - Shaft Angle: \_\_\_\_\_
- (C) Fwd Drop: \_\_\_\_\_
- (D) - Aft Drop: \_\_\_\_\_
- (E) - Base Width: \_\_\_\_\_
- (F) - Base Length: \_\_\_\_\_
- (G) - Barrel Length: \_\_\_\_\_
- (H) - Offset: \_\_\_\_\_



Describe bolthole layout:  
size, style, locations, quantity, etc.



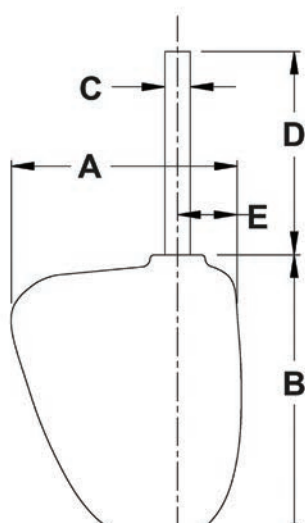
Company: \_\_\_\_\_  
 Phone: \_\_\_\_\_  
 Email: \_\_\_\_\_  
 Fax: \_\_\_\_\_  
 Contact: \_\_\_\_\_  
 Replacement Part? \_\_\_\_\_  
 Custom Casting? \_\_\_\_\_  
 Manufacturer: \_\_\_\_\_  
 Year: \_\_\_\_\_  
 Shaft Diameter: \_\_\_\_\_

Hydrasearch specializes in custom castings. If you would like us to quote on a special strut or you only have the dimensions of the existing strut you are trying to match please find the diagram above that would best fit your application. Fill in the blanks with the dimensions you are looking for and fax it back to us at (410) 643-7777 or simply email it to us at sales@hydrasearch.com. We will do our best to find a strut that we currently have in stock that best matches the dimensions given or quote you on a custom strut. If you have any questions or concerns please contact our knowledgeable sales staff to help guide you through the process.

# Rudder Reference Diagrams

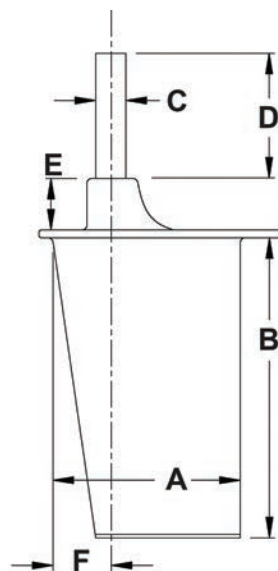
Reference Diagrams

Standard Rudder



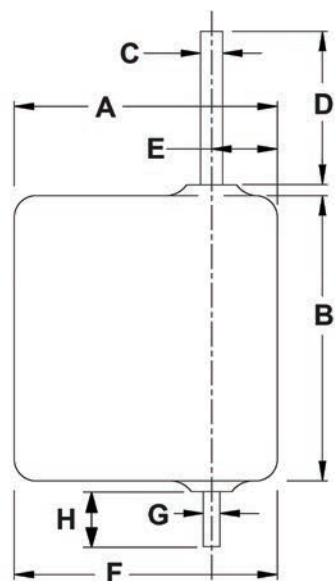
- A: \_\_\_\_\_
- B: \_\_\_\_\_
- C: \_\_\_\_\_
- D: \_\_\_\_\_
- E: \_\_\_\_\_

Spade Rudder



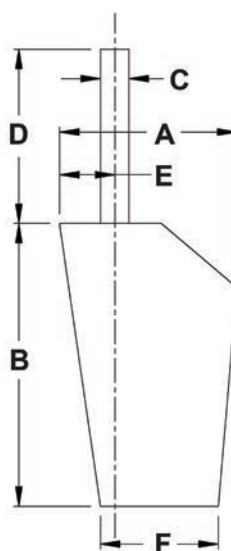
- A: \_\_\_\_\_
- B: \_\_\_\_\_
- C: \_\_\_\_\_
- D: \_\_\_\_\_
- E: \_\_\_\_\_
- F: \_\_\_\_\_

Skeg Rudder



- A: \_\_\_\_\_
- B: \_\_\_\_\_
- C: \_\_\_\_\_
- D: \_\_\_\_\_
- E: \_\_\_\_\_
- F: \_\_\_\_\_
- G: \_\_\_\_\_
- H: \_\_\_\_\_

High Speed Rudder with Flange



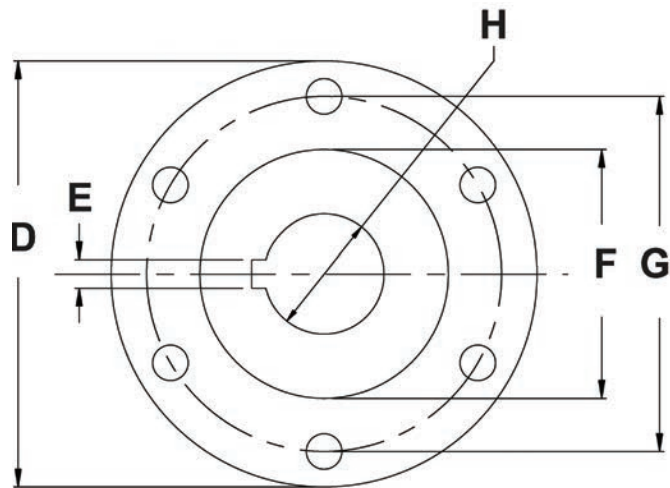
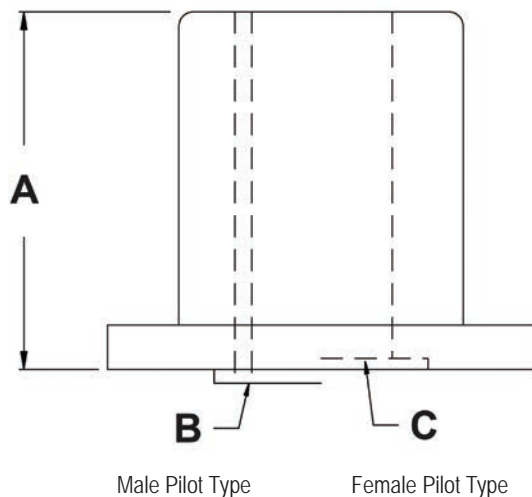
- A: \_\_\_\_\_
- B: \_\_\_\_\_
- C: \_\_\_\_\_
- D: \_\_\_\_\_
- E: \_\_\_\_\_
- F: \_\_\_\_\_

Hydrasearch specializes in custom castings. If you would like us to quote on a special strut or you only have the dimensions of the existing strut you are trying to match please find the diagram above that would best fit your application. Fill in the blanks with the dimensions you are looking for and fax it back to us at (410) 643-7777 or simply email it to us at [sales@hydrasearch.com](mailto:sales@hydrasearch.com). We will do our best to find a strut that we currently have in stock that best matches the dimensions given or quote you on a custom strut. If you have any questions or concerns please contact our knowledgeable sales staff to help guide you through the process.

Company: \_\_\_\_\_  
 Phone: \_\_\_\_\_  
 Email: \_\_\_\_\_  
 Fax: \_\_\_\_\_  
 Contact: \_\_\_\_\_  
 Replacement Part? \_\_\_\_\_  
 Custom Casting? \_\_\_\_\_  
 Manufacturer: \_\_\_\_\_  
 Year: \_\_\_\_\_  
 Shaft Diameter: \_\_\_\_\_

## Coupler Reference Diagrams

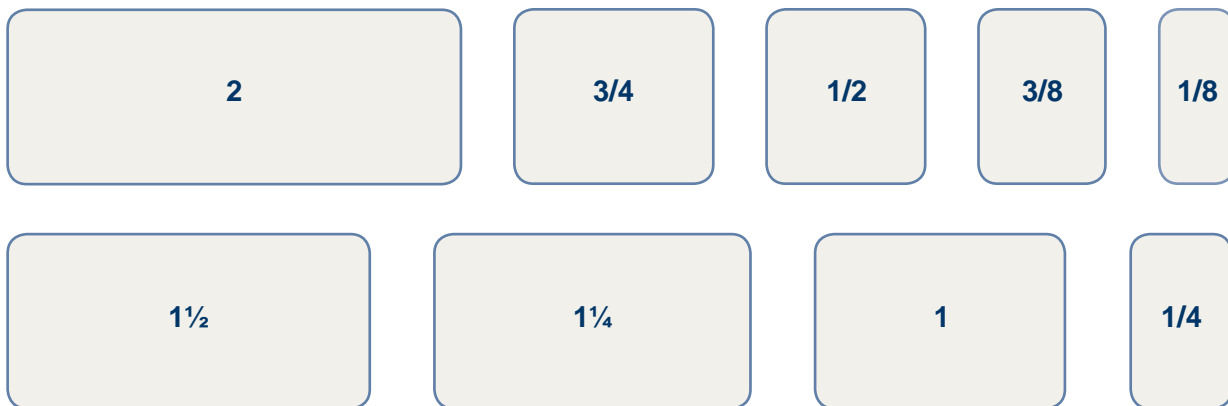
- (A) - Overall Length: \_\_\_\_\_
- (B) - Pilot Type:                    M or F
- Pilot Depth or Height: \_\_\_\_\_
- (D) - Flange Diameter: \_\_\_\_\_
- (E) - Keyway Width: \_\_\_\_\_
- (F) - Pilot Diameter: \_\_\_\_\_
- (G) - Bolt Circle: \_\_\_\_\_
- (H) - Shaft Diameter: \_\_\_\_\_
- Small End Taper: \_\_\_\_\_  
(Taper Couplers Only)
- Coupler Type:            Reverse Taper  
                                  Solid  
                                  Split  
                                  Standard Taper



Hydrasearch specializes in custom castings. If you would like us to quote on a special strut or you only have the dimensions of the existing strut you are trying to match please find the diagram above that would best fit your application. Fill in the blanks with the dimensions you are looking for and fax it back to us at (410) 643-7777 or simply email it to us at [sales@hydrasearch.com](mailto:sales@hydrasearch.com). We will do our best to find a strut that we currently have in stock that best matches the dimensions given or quote you on a custom strut. If you have any questions or concerns please contact our knowledgeable sales staff to help guide you through the process.

## Fittings Size Chart

### Male NPT Thread Sizes





## Fraction - Decimal Conversion Chart

Reference Diagrams	<u>Inches</u>		<u>Millimeters</u>	
	Fraction	Decimal	Fraction	Decimal
	$\frac{1}{64}$	.015625	$\frac{33}{64}$	.515625
$\frac{1}{32}$	$\frac{3}{64}$	.046875	$\frac{35}{64}$	.546875
$\frac{1}{16}$	$\frac{5}{64}$	.078125	$\frac{37}{64}$	.578125
$\frac{3}{32}$	$\frac{7}{64}$	.109375	$\frac{39}{64}$	.609375
$\frac{1}{8}$	$\frac{9}{64}$	.140625	$\frac{41}{64}$	.640625
$\frac{5}{32}$	$\frac{11}{64}$	.171875	$\frac{43}{64}$	.671875
$\frac{3}{16}$	$\frac{13}{64}$	.203125	$\frac{45}{64}$	.703125
$\frac{7}{32}$	$\frac{15}{64}$	.234375	$\frac{47}{64}$	.734375
$\frac{1}{4}$	$\frac{17}{64}$	.265625	$\frac{49}{64}$	.765625
$\frac{9}{32}$	$\frac{19}{64}$	.296875	$\frac{51}{64}$	.796875
$\frac{5}{16}$	$\frac{21}{64}$	.328125	$\frac{53}{64}$	.828125
$\frac{11}{32}$	$\frac{23}{64}$	.359375	$\frac{55}{64}$	.859375
$\frac{3}{8}$	$\frac{25}{64}$	.390625	$\frac{57}{64}$	.890625
$\frac{13}{32}$	$\frac{27}{64}$	.421875	$\frac{59}{64}$	.921875
$\frac{7}{16}$	$\frac{29}{64}$	.453125	$\frac{61}{64}$	.953125
$\frac{15}{32}$	$\frac{31}{64}$	.484375	$\frac{63}{64}$	.984375
$\frac{1}{2}$		.500	1	1.000

Part Number Index

M

Page #	Page #	Page #	Page #
	00102011.....58	00106125T.....59	00112400200.....60
	00102025.....58	00106150T.....59	00113PBS.....35, 84, 86
	00102037.....58	00106200T.....59	00114025011.....60
	00102050.....58	001062015T.....59	00114037011.....60
	00102075.....58	00106250T.....59	00114037025.....60
	00102100.....58	00106252520T.....59	00114050011.....60
	00102125.....58	00106300T.....59	00114050025.....60
	00102150.....58	00110011.....59	00114050037.....60
	00102200.....58	00110025.....59	00114075011.....60
	00102250.....58	00110037.....59	00114075025.....60
	00102300.....58	00110050.....59	00114075037.....60
	00102400.....58	00110075.....59	00114075050.....60
	00103011.....58	00110100.....59	00114100025.....60
	00103025.....58	00110125.....59	00114100037.....60
	00103037.....58	00110150.....59	00114100050.....60
	00103050.....58	00110200.....59	00114100075.....60
	00103075.....58	001110050.....59	00114125025.....60
	00103100.....58	00111011.....59	00114125037.....60
	00103125.....58	00111025.....59	00114125050.....60
	00103150.....58	00111037.....59	00114125075.....60
	00103200.....58	00111075.....59	00114125100.....60
	00103250.....58	00111100.....59	00114150025.....60
	00103300.....58	00111125.....59	00114150037.....60
	00103400.....58	00111150.....59	00114150050.....60
	00103H011.....58	00111200.....59	00114150075.....60
	00103H025.....58	00111300.....59	00114150100.....60
	00103H037.....58	00112011.....60	00114150125.....60
	00103H050.....58	00112025.....60	00114200025.....60
	00103H075.....58	00112037.....60	00114200050.....60
	00103H100.....58	00112050.....60	00114200075.....60
	00103H125.....58	00112075.....60	00114200100.....60
	00103H150.....58	00112100.....60	00114200125.....60
	00103H200.....58	00112125.....60	00114200150.....60
	00106011T.....59	00112150.....60	00114250100.....60
	00106025T.....59	00112200.....60	00114250150.....60
	00106037T.....59	00112200125.....60	00114250200.....60
	00106050T.....59	00112300.....60	00114300150.....60
	00106075T.....59	00112300200.....60	00114300200.....60
	00106100T.....59	00112300250.....60	00114300250.....60

In the following index, a (\*) is used to represent a variable. Therefore, to find AD075EZ or AD400EZ, look for: AD\*\*\*EZ

Part Number  
Index

	Page #		Page #		Page #		Page #
00114400200	60	00200PBS	29, 35, 86	00BBV400FA	110	00BN33	56
00114400300	60	00200X03LN	57	00BBV400LP	111, 112	00BN34	56
00117050	61	00200X04LN	57	00BBV50FSS	110	00BN42	56
00117075	61	00200X06LN	57	00BBV50LP	112	00BN43	33, 56
00117100	61	00200X12LN	57	00BBV75FSS	110	00BN44	56
00117125	61	00225PBN	29, 33, 34, 83, 86	00BBV75LP	111, 112	00BN46	56
00117150	61	00225PBNLH	34	00BC600S	4	00BN53	56
00117A011	61	00225PBS	29, 35, 86	00BE300	10	00BN54	56
00117A025	61	00250CN	57	00BE400	10	00BN56	56
00117A037	61	00250PBS	29, 35, 86	00BE600	10	00BN64	56
00117A050	61	0025X03LN	57	00BE6005	10	00BN66	56
00117A075	61	0025X04LN	57	00BF11	56	00BN86	56
00117A100	61	0025X06LN	57	00BF21	56	00BN88	56
00117A125	61	00275PBGGH	30	00BF22	56	00BS1100	9
00117A150	61	00275PBS	86	00BF251	56	00BS600	9
00117A200	61	00300CN	57	00BF252	56	00BS700	9
00125CN	57	00300PBN	33, 34, 82, 86	00BF31	56	00BST1	56
00125PBN	29, 34, 83-87	00300PBS	35, 86	00BF32	56	00BST10	56
00125PBNL	34	00300X06LN	57	00BF33	56	00BST15	56
00125PBS	29, 35, 84-87	00400CN	57	00BF43	56	00BST20	56
00125PBS38	29, 86, 87	00400X06LN	57	00BF44	56	00BST25	56
00125X04LN	57	00400X07LN	57	00BM15	61	00BST30	56
00138PBN	29, 34, 82, 84-87	0075PBS	35	00BM2	61	00BST35	56
00138PBS	35, 85	0088PBS	35	00BM25	61	00BST40	56
00150CN	57	00BBV100FS	110	00BM3	61	00BST5	56
00150PBNLH	34	00BBV100LP	111, 112	00BM4	61	00CL100	89
00150PBS	29, 35, 84-87	00BBV125FS	110	00BM6	61	00CL100HD	89
00150X04LN	57	00BBV125LP	111, 112	00BM8	61	00CL50	89
00150X06LN	57	00BBV150FS	110	00BN11	56	00CL75	89
00150X12LN	57	00BBV150LP	111, 112	00BN151	56	00CL75E	89
00175PBN	29, 33, 34, 82-84, 86	00BBV200FA	110	00BN152	56	00CL75LT	89
00175PBNLH	34	00BBV200LP	111, 112	00BN21	56	00CL75WEYE	89
00175PBNOY	34, 86	00BBV250FA	110	00BN22	56	00COB1000	5
00175PBS	29, 35	00BBV250LP	111, 112	00BN23	56	00COB675	5
00175PBS20	84	00BBV25FSS	110	00BN251	56	00CPS325	15
00175PBS22	84	00BBV300FA	110	00BN252	56	00CPS350	15
00175PBS24	84	00BBV300LP	111, 112	00BN253	56	00CPS438	15
00175PBSOY	35, 86	00BBV38FSS	110	00BN31	56	00DP100	107
00200CN	57	00BBV38LP	112	00BN32	56	00DP100P	107

Part Number Index

M

Page #	Page #	Page #	Page #
00DP400..... 13	00HH250E..... 55	00HP1..... 11	00ISBWSTC125..... 93
00DP400C..... 13	00HH300E..... 55	00HP2..... 11	00ISBWSTC150..... 93
00DP400K..... 13	00HN100..... 54	00HP3..... 11	00ISBWSTC200..... 93
00DP500..... 13	00HN100113..... 54	00ISB100..... 92	00ISBWSTC250..... 93
00DP500C..... 13	00HN100125..... 54	00ISB125..... 92	00ISBWSTC50..... 93
00DP500K..... 13	00HN100125E..... 55	00ISB150..... 92	00ISBWSTC75..... 93
00DP600..... 13	00HN100125ES..... 55	00ISB200..... 92	00IWS200DOME..... 94
00DP600C..... 13	00HN100E..... 55	00ISB250..... 92	00LPWS125C..... 94
00DP800..... 13	00HN125..... 54	00ISB50..... 92	00LPWS125S..... 94
00DP800C..... 13	00HN125E..... 55	00ISB75..... 92	00LPWS150C..... 94
00DP800K..... 13	00HN150..... 54	00ISBWSBC100..... 93	00LPWS150S..... 94
00DP84..... 107	00HN150175..... 54	00ISBWSBC125..... 93	00NPS100..... 97
00DP84T..... 107	00HN150200..... 54	00ISBWSBC150..... 93	00NPS100C..... 97
00DP84TH..... 106, 107	00HN1505..... 54	00ISBWSBC200..... 93	00NPS125..... 97
00DPN105..... 106	00HN150E..... 55	00ISBWSBC250..... 93	00NPS150..... 97
00DPN84E..... 106	00HN200..... 54	00ISBWSBC50..... 93	00NPS150C..... 97
00DPN84ET..... 106	00HN200175..... 54	00ISBWSBC75..... 93	00NPS200..... 97
00DPN84L..... 106	00HN20045E..... 55	00ISBWSCB100..... 93	00NPS63H..... 97
00DPN84LT..... 106	00HN200E..... 55	00ISBWSCB125..... 93	00NPS63HC..... 97
00DS500..... 117	00HN250..... 54	00ISBWSCB150..... 93	00OL1HB..... 116
00DS500F..... 117	00HN250300..... 54	00ISBWSCB200..... 93	00OL4HB..... 116
00GTVF38..... 108	00HN25045E..... 55	00ISBWSCB250..... 93	00OL5AB..... 116
00GTVF50..... 108	00HN250E..... 55	00ISBWSCB50..... 93	00OL5FB..... 116
00GTVN38..... 108	00HN300..... 54	00ISBWSCB75..... 93	00OL5RIB..... 116
00GTVN50..... 108	00HN300E..... 55	00ISBWSCBOLT100..... 93	00OL5ROB..... 116
00GTVN50H..... 108	00HN400..... 54	00ISBWSCBOLT125..... 93	00OL5SB..... 116
00GV100..... 113	00HN400E..... 55	00ISBWSCBOLT150..... 93	00PB100..... 35
00GV125..... 113	00HN50..... 54	00ISBWSCBOLT200..... 93	00PB100225..... 35
00GV150..... 113	00HN505062..... 54	00ISBWSCBOLT250..... 93	00PB100FG..... 35
00GV200..... 113	00HN50562E..... 55	00ISBWSCBOLT50..... 93	00PB100X..... 35
00GV250..... 113	00HN5075..... 54	00ISBWSCBOLT75..... 93	00PB113..... 35
00GV300..... 113	00HN5075E..... 55	00ISBWSCO100..... 93	00PB113FG..... 35
00GV38..... 113	00HN50E..... 55	00ISBWSCO125..... 93	00PB113H..... 35
00GV50..... 113	00HN75..... 54	00ISBWSCO150..... 93	00PB125..... 35
00GV75..... 113	00HN75100..... 54	00ISBWSCO200..... 93	00PB125175..... 35
00HH125..... 55	00HN751125..... 54	00ISBWSCO250..... 93	00PB125FG..... 35
00HH150..... 55	00HN7550..... 54	00ISBWSCO50..... 93	00PB125G..... 32
00HH150E..... 55	00HN75625..... 54	00ISBWSCO75..... 93	00PB125GG..... 30
00HH200..... 55	00HN75E..... 55	00ISBWSTC100..... 93	00PB125LS..... 82

Part Number Index

	Page #		Page #		Page #		Page #
00PB138.....	35	00PDP150.....	14	00RC275.....	81	00RPBP125A.....	86
00PB138G.....	32	00PDP200.....	14	00RC300.....	81	00RPBP12CC.....	86
00PB138GG.....	30	00PDPC125.....	14	00RC350.....	81	00RPBP150.....	82, 87
00PB150.....	35	00PDPC150.....	14	00RC400.....	81	00RPBP150A.....	86, 87
00PB150G.....	32	00PDPC200.....	14	00RP100.....	84	00RPBP150S.....	84, 87
00PB150GG.....	30	00PDPK150.....	14	00RP100A.....	86	00RPBP175.....	82, 84, 87
00PB15225.....	35	00PDPK200.....	14	00RP100L.....	84	00RPBP175200A.....	86, 87
00PB175.....	35	00PK100.....	68	00RP113.....	84	00RPBP225A.....	86
00PB175G.....	32	00PK125.....	68	00RP113A.....	86	00RPBP250A.....	86, 87
00PB175GG.....	30	00PK138.....	68	00RP125.....	84	00RPBP275A.....	86
00PB175L.....	35	00PK150.....	68	00RP12506.....	84	00RPBP300A.....	86
00PB200.....	35	00PK175.....	68	00RP125A.....	86	00RSS1000P.....	96
00PB200G.....	32	00PK200.....	68	00RP125B.....	87	00RSS100PF.....	96
00PB200GG.....	30	00PK250.....	68	00RP125B12.....	87	00RSS100PS.....	96
00PB200GH.....	30	00PK275.....	68	00RP125B17.....	87	00RSS10PFS.....	96
00PB200GHG.....	30	00PK300.....	68	00RP125L.....	84	00RSS1100P.....	95
00PB200L.....	35	00RBF100.....	81	00RP138.....	82	00RSS110PF.....	95
00PB225.....	35	00RBF113.....	81	00RP138A.....	86	00RSS110PS.....	95
00PB225G.....	32	00RBF125.....	81	00RP138B.....	87	00RSS110SP.....	95
00PB225GG.....	30	00RBF138.....	81	00RP150.....	82	00RSS11PFS.....	95
00PB225GH.....	30	00RBF150.....	81	00RP150A.....	86	00RSS650P.....	96
00PB225GHG.....	30	00RBF175.....	81	00RP150A12.....	87	00RSS650PS.....	96
00PB250.....	35	00RBF200.....	81	00RP150S.....	84	00RSS650S.....	96
00PB250G.....	32	00RBF225.....	81	00RP175.....	82	00RSS655P.....	95
00PB250GG.....	30	00RBF250.....	81	00RP175A.....	86	00RSS655PF.....	95
00PB250GH.....	30	00RBF275.....	81	00RP200.....	82	00RSS655PFS.....	95
00PB250GHG.....	30	00RBF300.....	81	00RP200A.....	86	00RSS655PS.....	95
00PB250GHN.....	30	00RBOF125.....	81	00RP225.....	82	00RSS655SP.....	95
00PB275GH.....	30	00RBOF138.....	81	00RP225A.....	86	00RWS100.....	94
00PB300.....	35	00RBOF150.....	81	00RP250.....	82	00RWS125.....	94
00PB300GFG.....	30	00RC100.....	81	00RP250A.....	86	00RWS150.....	94
00PB300GH.....	30	00RC113.....	81	00RP275.....	82	00RWS200.....	94
00PB300GH45.....	30	00RC125.....	81	00RP275A.....	86	00RWS250.....	94
00PB75.....	35	00RC138.....	81	00RP300.....	82	00RWS75.....	94
00PB88.....	35	00RC150.....	81	00RP300A.....	86	00SFD500.....	117
00PBS125G.....	31	00RC175.....	81	00RPBP100.....	84, 87	00SL100.....	38
00PBS138G.....	31	00RC200.....	81	00RPBP100A.....	84, 86, 87	00SL100A.....	39
00PBS150G.....	31	00RC225.....	81	00RPBP113A.....	86	00SL100FG.....	36
00PDP125.....	14	00RC250.....	81	00RPBP125.....	84, 87	00SL100X.....	38

Part Number Index

M

	Page #		Page #		Page #		Page #
00SL113	38	00SLL150FG	36	00SLR138	39	00STBR225	26
00SL113A	39	00SLL150L	38	00SLR150	39	00STBR250	26
00SL113FG	36	00SLL175	38	00SLR175	39	00STBR275	26
00SL113H	38	00SLL175FG	36	00SLR200	39	00STBR300	26
00SL125	38	00SLL175L	38	00SLR225	39	00STPB125	29
00SL125A	39	00SLL200	38	00SLR250	39	00STPB138	29
00SL125FG	36	00SLL200FG	36	00SLRL125	39	00STPB150	29
00SL138	38	00SLL225	38	00SLRL138	39	00STPB175	29
00SL138FG	36	00SLL225FG	36	00SLRL150	39	00STPB200	29
00SL138L	38	00SLL250	38	00SLRL175	39	00STPB225	29
00SL150	38	00SLL250FG	36	00SLRL200	39	00STPB250	29
00SL150FG	36	00SLL275FG	36	00SLRL225	39	00SWS50	89
00SL150L	38	00SLL300FG	36	00SLRL250	39	00SWS75	89
00SL175	38	00SLL450FG	36	00SLS125G	40	00TE150	44
00SL175FG	36	00SLLR125G	40	00SLS138G	40	00TE188	44
00SL175L	38	00SLLR138G	40	00SLS150G	40	00TE200	44
00SL200	38	00SLLR150G	40	00SR350	96	00TE250	44
00SL200FG	36	00SLN100FG	103	00SR400	96	00TE300	44
00SL200L	38	00SLN138FG	103	00SR400S	96	00TE350	44
00SL225	38	00SLN275FG	103	00SR500	96	00TE400	44
00SL225FG	36	00SLO100	37	00SR600	96	00TE500	44
00SL250	38	00SLO100L4	37	00SR800	96	00TE600	44
00SL250FG	36	00SLO113	37	00SS1050	97	00TE600F	44
00SL275FG	36	00SLO12514	37	00SS1100	97	00TE600FF	44
00SL300FG	36	00SLO125L4	37	00SS450	97	00TH100	102
00SLL100	38	00SLO125LT	37	00SS500	97	00TH100F	104
00SLL100A	39	00SLO138	37	00SS600	97	00TH100FS	104
00SLL100FG	36	00SLO150	37	00SS650	97	00TH100HS	105
00SLL100X	38	00SLO150L4	37	00SS850	97	00TH100XL	102
00SLL113A	39	00SLOL100	37	00STBO100	26	00TH125	102
00SLL113FG	36	00SLOL10L4	37	00STBO113	26	00TH125F	104
00SLL113H	38	00SLOL113	37	00STBO125	26	00TH125FS	104
00SLL125	38	00SLOL1254	37	00STBO138	26	00TH125XL	102
00SLL125A	39	00SLOL125L	37	00STBO150	26	00TH150	102
00SLL125FG	36	00SLOL12L4	37	00STBO88	26	00TH150F	104
00SLL138	38	00SLOL138	37	00STBR138	26	00TH150FS	104
00SLL138FG	36	00SLOL150	37	00STBR150	26	00TH150HS	105
00SLL150	38	00SLOL15L4	37	00STBR175	26	00TH150XL	102
00SLL150300	38	00SLR125	39	00STBR200	26	00TH200	102

Index  
Part Number



	Page #		Page #		Page #		Page #
00TH200XL	102	02THTR0625	104	10R30MSS15	79	10SLC100L	26
00TH250	102	1.00HEXNUT	67	10R30SS1.2	78	10SLW1002	26
00TH300	102	1.00JAMNUT	67	10R32SS1.2	78	10TA10X700	88
00TH38	102	1.12HEXNUT	67	10R32SS1.3	78	10TA11X700	88
00TH400	102	1.12JAMNUT	67	10R33ESS1	79	10TA12X130	88
00TH50	102	1.25HEXNUT	67	10R38SS1.3	78	10TA12X700	88
00TH50F	104	1.25JAMNUT	67	10R3HSS1	79	10TA12X71S	88
00TH50FS	104	1.37HEXNUT	67	10R3SS1.00	78	10TA12X900	88
00TH75	102	1.37JAMNUT	67	10R3SS1.12	78	10TA12X91S	88
00TH75F	104	1.50HEXNUT	67	10R3SS1.25	78	10TA13X130	88
00TH75FS	104	1.50JAMNUT	67	10R3XSS1.1	78	10TA13X700	88
00TH75HS	105	1.75HEXNUT	67	10R3XSS1.2	78	10TA13X900	88
00TH75XL	102	1.75JAMNUT	67	10R40SS1.2	78	10TA15X100	88
00THH062	103	10220G	28	10R40SS1.3	78	10TA15X130	88
00THH100	103	10222G	28	10R40SS1.5	78	10TA16X91S	88
00THH1125	103	10224	28	10R4HSS1	79	10TA17X100	88
00THH150	103	10224G	28	10R50SS2.0	78	10TA17X130	88
00THH200	103	10228	28	10R56SS1.7	78	10TA20X100	88
00THH250	103	10228G	28	10R58SS2.0	78	10TA20X130	88
00THH300	103	10232	28	10R5SS1.25	78	10TA20X14H	88
00THH400	103	10232G	28	10R6HSS1	79	10TA22X14H	88
00THH75	103	10236	28	10R6SS1.25	78	10TA22X170	88
00THN100	102-106	10236G	28	10R6SS1.37	78	10TA25X14H	88
00THN125	102, 104	10240G	28	10R6SS1.50	78	10TA25X170	88
00THN150	102-105	10R17312RD	79	10R7HSS2	79	10TA27X16HD	88
00THN200	102	10R1735RUD	79	10R7XSS1.2	78	10TA30X16HD	88
00THN250	102	10R20MSS1	78	10R7XSS1.3	78	10ZP900BP	117
00THN300	102, 103	10R20SS1.2	78	10R8SS1.50	78	13009	40
00THN38	102	10R21MSS1	79	10R8SS1.75	78	13012	40
00THN400	102	10R23MSS1	79	10R8SS2.00	78	13673	40
00THN50	102-104	10R25MSS1	79	10RP100ACC	86	1553	32
00THN75	102-106	10R26MSS1	79	10RP125ACC	86	1553G	32
00TPS4	107	10R2HSS1	79	10RS12SS1	80	1554	32
00VL150	62	10R2SS1.00	78	10RS13SS1	80	1554G	32
00VL75	62	10R2SS1.12	78	10RS19SS15	80	2.00HEXNUT	67
01BLB	10	10R2SS1.25	78	10RS2SS1.0	80	2.00JAMNUT	67
01BLE	10	10R30L38SS	78	10RS5BR1.1	80	2.50HEXNUT	67
01BLH	10	10R30LSS1	78	10SKI1	40	2.50JAMNUT	67
01BLH1	10	10R30LSS13	78	10SKI2	40	2.75HEXNUT	67

Part Number Index

M

Page #	Page #	Page #	Page #
2.75JAMNUT ..... 67	3.00HEXNUT ..... 67	30N03 ..... 52	50475B ..... 72, 73, 75
20AST1 ..... 56	3.00JAMNUT ..... 67	30N04 ..... 52	50476A ..... 74, 75
20AST10 ..... 56	3.50HEXNUT ..... 67	30N05 ..... 52	50476B ..... 74, 75
20AST15 ..... 56	3.50JAMNUT ..... 67	30N06 ..... 52	50500A ..... 71, 72, 75
20AST20 ..... 56	3059PBN ..... 34	30N07 ..... 52	50500B ..... 73, 75
20AST25 ..... 56	30DB1125 ..... 52	30N08 ..... 52	50500C ..... 71, 72, 75
20AST30 ..... 56	30DB1275 ..... 52	30N09 ..... 52	50500D ..... 75
20AST35 ..... 56	30DB1450 ..... 52	30N0X27 ..... 52	50500S ..... 71
20AST40 ..... 56	30DB1700 ..... 52	31EE200 ..... 46	50500YS ..... 74, 75
20AST5 ..... 56	30DB400 ..... 52	31EE250 ..... 46	50501A ..... 73, 75
20AST50 ..... 56	30DB463 ..... 52	320028BP ..... 87	50501S ..... 73
20AST60 ..... 56	30DB525 ..... 52	33OL2 ..... 116	505751 ..... 71, 72, 75, 76
20NPSB100 ..... 97	30DB550 ..... 52	33OL4H ..... 116	505752 ..... 73-76
20NPSB100C ..... 97	30DB600 ..... 52	33OL5R1 ..... 116	50610B ..... 74, 76
20NPSB125 ..... 97	30DB675 ..... 52	33OL5RO ..... 116	50669 ..... 74, 76
20NPSB150 ..... 97	30DB769 ..... 52	3BPBW100 ..... 41	50725A ..... 71, 72, 76
20NPSB150C ..... 97	30DB818 ..... 52	3BPBW125 ..... 41	50725B ..... 71, 72, 76
20NPSB200 ..... 97	30DB875 ..... 52	3BPBW150 ..... 41	50725BZF ..... 74, 76
2349 ..... 95	30DB988 ..... 52	3BPBW200 ..... 41	50726A ..... 73, 76
2349PF ..... 95	30N010 ..... 52	3BPBW250 ..... 41	50726B ..... 73, 76
2349PFS ..... 95	30N011 ..... 52	3BTHW20250 ..... 105	50807ZF ..... 74, 76
2349S ..... 95	30N012 ..... 52	3BTHW300 ..... 105	509001 ..... 71, 76
2349SP ..... 95	30N013 ..... 52	3BTHW50150 ..... 105	509002 ..... 73, 76
2352PF ..... 95	30N014 ..... 52	40EC300400 ..... 45	50MC004 ..... 71, 72, 75
2352SP ..... 95	30N015 ..... 52	40EC30400B ..... 45	50MC005 ..... 71, 72, 75
2352SPF ..... 95	30N016 ..... 52	40EC4040B ..... 45	50MC3500 ..... 71, 75
2352SPS ..... 95	30N017 ..... 52	40EC4050B ..... 45	50MC4020 ..... 73, 75
2353PF ..... 95	30N018 ..... 52	40EE30090 ..... 45	50MC4026 ..... 73, 75
2353SPFBARS ..... 95	30N019 ..... 52	40EE40090 ..... 45	50MC4526 ..... 73, 75
2355 ..... 95	30N02 ..... 52	40EE40090S ..... 45	50MC4725 ..... 72, 73, 75
2355PFS ..... 95	30N020 ..... 52	501050 ..... 73, 74, 76	50MC4726 ..... 74, 75
26ST170100 ..... 9	30N021 ..... 52	50400A ..... 73, 75	50MC5027 ..... 75
2902 ..... 85	30N022 ..... 52	50400B ..... 71, 72, 75	50MC573 ..... 71, 72, 75, 76
2902BP ..... 85, 87	30N023 ..... 52	50400C ..... 73	50MC574 ..... 74, 75, 76
2903 ..... 85	30N024 ..... 52	50400S ..... 73, 75	50MCF004 ..... 71
2904 ..... 85	30N025 ..... 52	50400YS ..... 74	50MCF005 ..... 71
290520M ..... 84	30N026 ..... 52	50401S ..... 71, 72, 75	50MCP00500 ..... 70
290522M ..... 84	30N027 ..... 52	50402S ..... 73	50MCY004 ..... 74
290524M ..... 84	30N028 ..... 52	50475A ..... 72, 73, 75	50MCY005 ..... 74, 75

Index  
Part Number

	Page #		Page #		Page #		Page #
50MVP400.....	73, 75	60TLS86.....	64	60TN64.....	63	70COBS10XL.....	5
50TC005.....	71	60TLS88.....	64	60TN66.....	63	70COBS1200.....	5
50TC1050.....	73, 74, 76	60TM16.....	62	60TN68.....	63	70COBS120L.....	5
50TC475.....	72, 73, 75	60TM2.....	62	60TN86.....	63	70COBS1500.....	5
50TC476.....	74, 75	60TM21.....	62	60TN88.....	63	70COBS1500MOD.....	6
50TC500.....	71, 72, 75	60TM25.....	62	60TPS1.....	62	70COBS15LP.....	5
50TC501.....	73	60TM26.....	62	60TPS10.....	62	70COBS600L.....	5
50TC575.....	71, 72, 75, 76	60TM3.....	62	60TPS2.....	62	70COBS80XL.....	5
50TC576.....	73-76	60TM4.....	62	60TPS3.....	62	70COBSSTUD100.....	6
50TC610.....	74, 76	60TM5.....	62	60TPS4.....	62, 106	70COBSSTUD120FT.....	6
50TC669.....	74, 76	60TM6.....	62	60TPS6.....	62, 106	70COBSSTUD120T.....	6
50TC725.....	71, 72, 76	60TM8.....	62	60TPS8.....	62	70CPS325T.....	15
50TC725G.....	74, 76	60TN150.....	63	60TSSS222.....	62	70CPS438.....	15
50TC726.....	73, 76	60TN1520.....	63	60TSSS333.....	62	70CPS438T.....	15
50TC72ZF.....	74, 76	60TN158.....	63	60TSSS444.....	62	70DS500.....	117
50TC807.....	74, 76	60TN200.....	63	60TSSS666.....	62	70ESC1000.....	6
50TC900.....	71, 76	60TN2015.....	63	60VL150J.....	62	70ESC1200.....	6
50TC901.....	73, 76	60TN21.....	63	60VL75CV.....	62	70ESC600.....	6
60TLS21.....	64	60TN22.....	63	70BCS400S.....	4	70ESC800.....	6
60TLS22.....	64	60TN23.....	63	70BCS600S.....	4	70GCBEARCLAW.....	9
60TLS23.....	64	60TN24.....	63	70BCS800S.....	4	70GCSTEPLARGE.....	9
60TLS31.....	64	60TN250.....	63	70BCS900S.....	4	70GCSTEP SMALL.....	9
60TLS32.....	64	60TN252.....	63	70BE300.....	10	70GTVF38.....	108
60TLS33.....	64	60TN26.....	63	70BE400.....	10	70GTVF50.....	108
60TLS34.....	64	60TN28.....	63	70BE600.....	10	70GTVN38.....	108
60TLS36.....	64	60TN31.....	63	70BLB.....	10	70GTVN50.....	108
60TLS42.....	64	60TN32.....	63	70BLE.....	10	70GTVN50H.....	108
60TLS43.....	64	60TN33.....	63	70BLH.....	10	70GTVN58EHS.....	108
60TLS44.....	64	60TN34.....	63	70BLH1.....	10	70GTVN58HS.....	108
60TLS46.....	64	60TN36.....	63	70BS1100.....	9	70HLS1.....	7
60TLS48.....	64	60TN41.....	63	70BS600.....	9	70HLS2.....	7
60TLS53.....	64	60TN42.....	63	70CCBSTEP.....	9	70HN025.....	54
60TLS54.....	64	60TN43.....	63	70CL100HDP.....	89	70HN037.....	54
60TLS56.....	64	60TN44.....	63	70CLPIN150.....	89	70HN050.....	54
60TLS58.....	64	60TN46.....	63	70CLPIN175.....	89	70HN075.....	54
60TLS63.....	64	60TN53.....	63	70CLPIN200.....	89	70HN100.....	54
60TLS64.....	64	60TN54.....	63	70CLPIN225.....	89	70HN125.....	54
60TLS66.....	64	60TN56.....	63	70COBS1000.....	5	70HN150.....	54
60TLS68.....	64	60TN63.....	63	70COBS100L.....	5	70HN200.....	54

Part Number Index

M

	Page #		Page #		Page #		Page #
70HN250	54	70ISBWSB150	92	70RMODEL6	90	70SSBV300	114
70HN300	54	70ISBWSB200	92	70RMODEL7	90	70SSBV38	114
70HN400	54	70ISBWSB50	92	70RSS11SPS	95	70SSBV50	114
70HPBP3	12	70ISBWSB75	92	70RSS65SPS	95	70SSBV75	114
70HPS1	11	70LB	10	70RST1	56	70SSH4X6	8
70HPS2	11, 12	70LV350	15	70RST10	56	70SSH5X8	8
70HPS3	11	70MAH10	49	70RST15	56	70STBC1000	50
70HPS6	11	70MAH12	49	70RST20	56	70STBC107L	51
70HPS7	11	70MAH16	49	70RST25	56	70STBC1088	51
70HPS8	11	70MAH20	49	70RST30	56	70STBC117L	51
70HPTS3	12	70MAH4	49	70RST35	56	70STBC1200	50
70HSS10	49	70MAH6	49	70RST40	56	70STBC126L	51
70HSS104	49	70MAH8	49	70RST5	56	70STBC1288	51
70HSS12	49	70MB4x4	4	70RST50	56	70STBC132L	51
70HSS152	49	70MB5x5	4	70RST60	56	70STBC138	50
70HSS16	49	70MB6x6	4	70RST80	56	70STBC1475	51
70HSS188	49	70MB7x7	4	70RWS100	94	70STBC1488	51
70HSS20	49	70ORDPS2	16	70RWS100150B	94	70STBC150	50
70HSS24	49	70PDPS125C	14	70RWS125	94	70STBC152L	51
70HSS28	49	70PDPS150	14	70RWS150	94	70STBC1675	51
70HSS32	34, 49	70PDPS150C	14	70RWS200	94	70STBC168L	51
70HSS36	34, 49	70PDPS200	14	70RWS200250B	94	70STBC175	50
70HSS40	34, 49	70PDPS200C	14	70RWS250	94	70STBC188	50
70HSS428	49	70RC100	68	70RWS75	94	70STBC200	50
70HSS44	34, 49	70RC113	68	70RWS75100B	94	70STBC225	34, 50
70HSS44C	30	70RDM11	61	70SC1000HD	6	70STBC238	34, 50
70HSS48	34, 49	70RDM16	61	70SC400	6	70STBC250	50
70HSS52	49	70RDM21	61	70SC600	6	70STBC256	31, 50
70HSS56	34, 49	70RDM26	61	70SC800	6	70STBC263	50
70HSS6	49	70RDM36	61	70SC800HD	6	70STBC275	34, 50
70HSS60	49	70RDM46	61	70SCUPPER	16	70STBC288	50
70HSS64	49	70RDM6	61	70SFD500	117	70STBC300	33, 34, 50
70HSS72	34, 49	70RLCS100X	7	70SLH1	4	70STBC312	31, 50
70HSS8	49	70RLES100X	7	70SSBV100	114	70STBC325	30, 33, 34, 50
70HSS80	49	70RMODEL1	90	70SSBV125	114	70STBC350	50
70HSS88	34, 49	70RMODEL2	90	70SSBV150	114	70STBC375	30, 33, 34, 50
70HSS96	49	70RMODEL3	90	70SSBV200	114	70STBC382L	51
70ISBWSB100	92	70RMODEL4	90	70SSBV25	114	70STBC400	50
70ISBWSB125	92	70RMODEL5	90	70SSBV250	114	70STBC420L	51

Part Number Index

	Page #		Page #		Page #		Page #
70STBC425	30, 32-34, 50	70TE600	44	80HO262512	48	83138R	80
70STBC432L	51	70TH050GS	102	80HO272512	48	83150	80
70STBC450	50	70TH075GS	102	80HO275	48	83150R	80
70STBC450L	51	70TH100GS	102	80HO300	30, 33, 34, 48	83175	80
70STBC475	30, 33, 50	70TH125GS	102	80HO30012	48	83175R	80
70STBC482L	51	70TH150GS	102	80HO350	30, 32-34, 48	83200	80
70STBC500	50	70TH200DL	105	80HO35012	48	83200R	80
70STBC525	30, 50	70TH200GS	102	80HO400	30, 33, 48	83225	80
70STBC532L	33, 34, 51	70TH300GS	102	80HO40012	48	83225R	80
70STBC550	50	70TH75WO	104	80HO450	30, 33, 34, 48	83250	80
70STBC550L	51	70THDBALL	89	80HO45012	48	83250R	80
70STBC575	50	70THH100	103	81100	88	8413225	33
70STBC582L	51	70THH112	103	81125	88	8413250	33
70STBC588	50	70THH125	103	81138	88	8413300	33
70STBC600	50	70THH150	103	81150	88	8415225	33
70STBC625	50	70THH200	103	81175	88	8415250	33
70STBC632L	51	70THH200DL	105	81200	88	8415300	33
70STBC650	50	70THH625	103	82125	83	8417300	33
70STBC675	50	70THH75	103	82138	83	8417350	33
70STBC675L	51	70WRLHS1	7	82138N	33, 83	8420300	33
70STBC700	50	70WRLLS1	7	82138S	33, 83	8420350	33
70STBC707L	51	75HEXNUT	67	82150	83	8422400	33
70STBC750	50	75JAMNUT	67	82150S	33, 83	8422400S	33
70STBC800	50	80DS500R	117	82175	83	842250S	33
70STBC850	50	80HO12512	48	82175S	33, 83	8425400	33
70STBC875L	51	80HO150	34, 48	82200	83	86125	83
70STBC888L	51	80HO15012	48	82200S	33, 83	86125S	83
70STBC900	50	80HO162512	48	82225	83	86138	83
70STBC907L	51	80HO175	34, 48	82225N	83	86150	83
70STBC950	50	80HO17512	48	82225S	83	86200	83
70TDLS625	8	80HO200	34, 48	82250	83	875HEXNUT	67
70TDLS625LG	8	80HO20012	48	82250S	83	875JAMNUT	67
70TDLS625SM	8	80HO225	30, 33, 34, 48	83100	80	88138	85
70TE150	44	80HO22512	48	83100R	80	88150	85
70TE200	44	80HO2375	48	83112	80	88175	85
70TE250	44	80HO237512	48	83112R	80	88200	85
70TE300	44	80HO250	30, 33, 34, 48	83125	80	ABLE	25
70TE400	44	80HO25012	48	83125R	80	ACID	25
70TE500	44	80HO2625	48	83138	80	ALBACORE	25

Part Number Index

M

Page #	Page #	Page #	Page #
APEX.....25	BBSTC30.....56	BLOATER.....25	COISBWSCGC200.....93
AS1 150.....23	BBSTC35.....56	BLOW.....25	COISBWSCGC250.....93
AS1 175.....23	BBSTC40.....56	BOAT.....25	COISBWSCGC50.....93
AS1 BASE.....23	BBSTC5.....56	BOLD.....25	COISBWSCGC75.....93
AS1BARR 150.....23	BBSTC50.....56	BOLTSET100.....70	CORWS125150LG.....94
AS1BARR 175.....23	BBSTC60.....56	BOLTSET10M.....70	CORWS200250LG.....94
AS2 150.....23	BBSTC80.....56	BOLTSET12M.....70	CORWS75100LG.....94
AS2 175.....23	BBSW50.....107	BOLTSET16M.....70	CORWS75100SM.....94
AS2 BASE.....23	BBVKIT100.....110	BOLTSET18M.....70	CALL.....25
AS2BARR 150.....23	BBVKIT100LP.....111, 112	BOLTSET20M.....70	CALM.....25
AS2BARR 175.....23	BBVKIT125.....110	BOLTSET375.....70	CAMA.....25
AS2X 150.....23	BBVKIT125LP.....111, 112	BOLTSET437.....70	CAME.....25
AS2X 175.....23	BBVKIT150.....110	BOLTSET500.....70	CAPE.....25
AS2XBARR 150.....23	BBVKIT150LP.....111, 112	BOLTSET626.....70	CAR031X550CB.....24
AS2XBARR 175.....23	BBVKIT200.....110	BOLTSET750.....70	CAR037X550CB.....24
AS3 200.....22	BBVKIT200LP.....111, 112	BOLTSET875.....70	CAR050X550CB.....24
AS3 BASE.....22	BBVKIT25.....110	BOND.....25	CAR062X550CB.....24
AS3BARR 200.....22	BBVKIT250.....110	BONITO.....25	CARE.....25
AS4 FOOT.....22	BBVKIT250LP.....111, 112	BOOT.....25	CARP.....25
AS4BARR 150.....22	BBVKIT300.....110	BOSS.....25	CART.....25
AS4 200.....22	BBVKIT300LP.....111, 112	BRAD.....25	CASE.....25
AS5 BASE.....22	BBVKIT38.....110	BREW.....25	CATFISH.....25
AS5BARR 150.....22	BBVKIT38LP.....112	BRIM.....25	CHOBIE.....25
ATOM.....25	BBVKIT400.....110	BROADBILL.....25	CHOGSET.....25
BACK.....25	BBVKIT400LP.....111, 112	BROW.....25	CHUB.....25
BADE.....25	BBVKIT50.....110	BUCK.....25	COD.....25
BAIT.....25	BBVKIT50LP.....112	BULB.....25	COOK.....25
BALE.....25	BBVKIT75.....110	BULL.....25	CORD.....25
BAND.....25	BBVKIT75LP.....111, 112	BULLHEAD.....25	CORN.....25
BARRACUDA.....25	BEAM.....25	COISBWSCG100.....93	CRAB.....25
BASE.....25	BELT.....25	COISBWSCG125.....93	CROAKER.....25
BASS.....25	BEND.....25	COISBWSCG150.....93	CROW.....25
BBSTC1.....56	BETTA.....25	COISBWSCG200.....93	CURD.....25
BBSTC10.....56	BILL.....25	COISBWSCG250.....93	CURE.....25
BBSTC100.....56	BIND.....25	COISBWSCG50.....93	DOISBWSC100.....93
BBSTC120.....56	BIRD.....25	COISBWSCG75.....93	DOISBWSC125.....93
BBSTC15.....56	BITE.....25	COISBWSCGC100.....93	DOISBWSC150.....93
BBSTC20.....56	BLACKFISH.....25	COISBWSCGC125.....93	DOISBWSC200.....93
BBSTC25.....56	BLENNY.....25	COISBWSCGC150.....93	DOISBWSC250.....93

Index  
Part Number



	Page #		Page #		Page #		Page #
DOISBWSC50.....	93	FLAX625LB.....	41	MACKAYTA200X100.....	88	MS22P&SSTA.....	20
DOISBWSC75.....	93	FLHD031X550SH.....	24	MACKAYTA225X170.....	88	MS23 2375.....	18
DOISW200KIT.....	94	FLHD037X550SH.....	24	MACKAYTA250X170.....	88	MS27 1625.....	18
DORWS125150G.....	94	FLHD050X550SH.....	24	MACKEREL.....	25	MS27P&SPOR.....	20
DORWS200250G.....	94	FLHD062X550SH.....	24	MANTA.....	25	MS27P&SSTA.....	20
DORWS75100G.....	94	FLOUNDER.....	25	MARLIN.....	25	MS28 175.....	18
DORWSSCREW.....	94	GAR.....	25	MBV25.....	113	MS28P&SPOR.....	20
DANE.....	25	GRAYBACK.....	25	MBV38.....	113	MS28P&SSTA.....	20
DARE.....	25	GROUPE.....	25	MBV50.....	113	MS29 150.....	18
DARK.....	25	HADDO.....	25	MINNOW.....	25	MS29P&SPOR.....	20
DARN.....	25	HAKE.....	25	MS1 125.....	18	MS29P&SSTA.....	20
DELL.....	25	HALIBUT.....	25	MS10 150.....	18	MS30150 BH.....	18
DEVILFISH.....	25	HERRING.....	25	MS10X200BH.....	18	MS31 175.....	18
DIKE.....	25	HEXNUT031.....	24	MS10XL200B.....	18	MS32 200.....	19
DINE.....	25	HEXNUT050.....	24	MS10XLW200.....	18	MS33 2375BH.....	19
DOCK.....	25	HEXNUT375.....	24	MS14 150.....	18	MS34 200BH.....	19
DOGFISH.....	25	HEXNUT625.....	24	MS15 200.....	18	MS39 200.....	19
DOLE.....	25	IS1X 200.....	18	MS15 2375.....	18	MS4 200.....	18
DOLPHIN.....	25	IS2X 175.....	18	MS15P&SPOR.....	20	MS42 2375.....	19
DONE.....	25	IS3X 2375.....	18	MS15P&SSTA.....	20	MS43 2000.....	19
DOVE.....	25	IS7X 200.....	18	MS16 200.....	18	MS4P&SPORT.....	20
DRAW.....	25	JPB175.....	35	MS16P&SPOR.....	20	MS4P&SSTAR.....	20
DULL.....	25	KEYS18X1FT.....	68	MS16P&SSTA.....	20	MS5 200.....	18
EARN.....	25	KEYS25X1FT.....	68	MS17P&SPOR.....	20	MS50 175.....	19
EASE.....	25	KEYS31X1FT.....	68	MS17P&SSTA.....	20	MS51 2375.....	19
EEL.....	25	KEYS37X1FT.....	68	MS18P&SPOR.....	20	MS53 175.....	19
FLAMEN.....	25	KEYS43X1FT.....	68	MS18P&SSTA.....	20	MS54 2625.....	19
FLATFISH.....	25	KEYS50X1FT.....	68	MS19 150.....	18	MS56 1625.....	19
FLATWASHER031.....	24	KEYS56X1FT.....	68	MS19P&SPOR.....	20	MS57 1625.....	19
FLATWASHER050.....	24	KEYS62X1FT.....	68	MS19P&SSTA.....	20	MS59 125.....	19
FLATWASHER375.....	24	KEYS75X1FT.....	68	MS1P&SPORT.....	20	MS5P&SPORT.....	20
FLATWASHER625.....	24	KINGFISH.....	25	MS1P&SSTAR.....	20	MS5P&SSTAR.....	20
FLAX125LB.....	41	M24034.....	27	MS2 200.....	18	MS6 2375.....	18
FLAX1875LB.....	41	M24115.....	27	MS20 150.....	18	MS61 125.....	19
FLAX250LB.....	41	M24127.....	27	MS20P&SPOR.....	20	MS62 125.....	19
FLAX3125LB.....	41	M24131.....	27	MS20P&SSTA.....	20	MS63 175.....	19
FLAX375LB.....	41	MACKAYTA125X700.....	88	MS21 175.....	18	MS67 2375.....	19
FLAX4375LB.....	41	MACKAYTA138X700.....	88	MS22 150.....	18	MS74 175.....	19
FLAX500LB.....	41	MACKAYTA175X100.....	88	MS22P&SPOR.....	20	MS75 175.....	19

Page #	Page #	Page #	Page #
MS76 200.....19	PSK138.....67	STUDS37.....30, 31	
MS8 150.....18	PSK150.....67	STUDS62.....28, 30, 31	
MS8P&SPORT.....20	PSK175.....67	TIEBAR3FT.....89	
MS8P&SSTAR.....20	PSK200.....67	TIEBAR4FT.....89	
MSS1 125.....19	PSK225.....67	TIEBAR5FT.....89	
MSS2 125.....19	PSK250.....67	TIEBAR6FT.....89	
MSS3 125.....19	PSK275.....67	VS1 200.....21	
MSS4 125.....19	PSK300.....67	VS16 200.....21	
MSSU1125BO.....21	PSK75.....67	VS16 2625.....21	
MSSU1150BO.....21	PSK87.....67	VS17 2375.....21	
MUDFISH.....25	RAY.....25	VS17X 300.....21	
MULLET.....25	REDFIN.....25	VS36 200.....21	
MUSKY.....25	REDFISH.....25	VS39 2625.....21	
N/A.....25	ROCKFISH.....25	VS4 2375.....21	
ORING125.....14	SAILFISH.....25	VS9 3125.....21	
ORING150.....14	SALMON.....25		
ORING200.....14	SANDFISH.....25		
OVHD031X550OH.....24	SAWFISH.....25		
OVHD037X550OH.....24	SCULPIN.....25		
OVHD050X550OH.....24	SEAL150.....41		
OVHD062X550OH.....24	SEAL300.....41		
PE1200.....41	SETSCEW370.....70		
PE1550.....41	SETSCEW375.....70		
PE625.....41	SETSCEW500.....70		
PE725.....41	SETSCEW625.....70		
PERCH.....25	SETSCEW750.....70		
PICKEREL.....25	SHAD.....25		
PICUDA.....25	SHARK.....25		
PINCH312.....70	SIGARPLUG5.....107		
PINCH432.....70	SILVERFISH.....25		
PINCH500.....70	SIPB125GLD.....31		
PINCH625.....70	SIPB125HOS.....31		
PINCH750.....70	SIPB138GLD.....31		
PINCH751.....70	SIPB138HOS.....31		
PINFISH.....25	SIPB150GLD.....31		
PORGY.....25	SMELT.....25		
PSK100.....67	SNAPPER.....25		
PSK112.....67	SOCKEYE.....25		
PSK125.....67	STUDS.....28, 30-32		



## Limits of Liability

This catalog is intended as a product offering. It is not intended to be a user or technical manual. Information in this catalog is subject to change without notice. All users and distributors of products sold through this catalog should contact Hydrasearch® with questions of use, compatibilities, coupling procedures and life of product. Our full-time engineering and test staff is always available to recommend uses and to assist distributors and users with any questions.



### Safety



Safety logos, which appear throughout our catalog, are used as a reminder that the user should carefully review for the appropriateness of the product for the media, application and environment in which it will be used.

NOTE: Because of the health hazards associated with contamination and lead content in drinking water systems, Dixon® couplings, unless otherwise specifically approved, are not recommended for potable water service and should not be used in applications where drinking water will contact the wetted surfaces of the coupling.

Warning: Dixon® products may contain chemicals known to the State of California to cause cancer, birth defects, or other reproduction harm.

As a company that may sell or distribute Dixon® couplings, adapters, valves and connectors made of brass to California consumers or to other persons or entities that may sell such items to California consumers, Dixon® is obligated to notify you of the following:

- Such products may not be sold to California consumers unless it either contains less than 300 ppm of lead when analyzed pursuant to the EPA test method 3050B or equivalent or is sold or distributed with a clear, reasonable and conspicuous warning.
- So long as it is prominently displayed on the product or the packaging of the product, the following warning complies:  
"WARNING: This product contains a chemical known to the State of California to cause birth defects or other reproductive harm. Do not use in connection with drinking water. Wash hands after handling."
- As to internet sales only, if the product is not labeled with the required warning, there must be a warning message by a clearly marked hyperlink on the product display page or otherwise prominently displayed to the purchaser before the purchaser completes the purchase of the product.

There are significant penalties associated with failure to comply with these requirements. Should you need further explanation or assistance in complying with notice, please do not hesitate to contact Dixon® at [sales@dixonvalve.com](mailto:sales@dixonvalve.com).

Before purchasing Hydrasearch products, you should be aware, and make your customers aware, of certain warnings. Such warnings are found on pages \_\_\_ & \_\_\_ of the catalog.

---

## Copyright

Copyright © 2018 by Hydrasearch Company, Inc.

All rights reserved. This book is copyrighted material. Use, reproduction or copying of it by anyone other than Hydrasearch is strictly forbidden without its express written consent.

**A** *Deck Hardware*  
pages 3 - 16

---

**B** *Drivetrain*  
pages 17 - 41

---

**C** *Exhaust Fittings*  
pages 43 - 46

---

**D** *Hose & Clamps*  
pages 47 - 52

---

**E** *Plumbing Fittings*  
pages 53- 64

---

**F** *Shaft & Accessories*  
pages 65 - 76

---

**G** *Steering Hardware*  
pages 76-90

---

**H** *Strainers*  
pages 91 - 99

---

**I** *Thru Hulls*  
pages 101 - 108

---

**J** *Valves*  
pages 109 - 114

---

**K** *Misc. Hardware*  
pages 115- 117

---

**L** *Reference Info.*  
pages 118 - 122



**Chesapeake Bay Business Park**  
**203A Log Canoe Circle**  
**Stevensville, MD 21666**

**P: 410-643-7145    F: 410-643-7777**  
**[hydrasearchrecreational.com](http://hydrasearchrecreational.com)**

