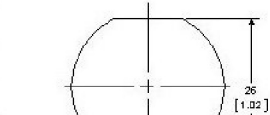
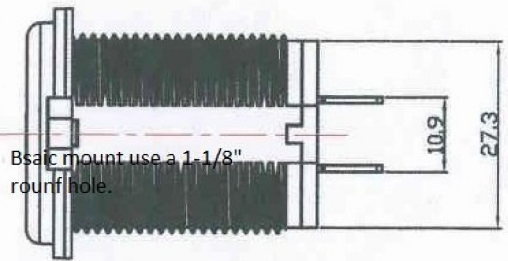
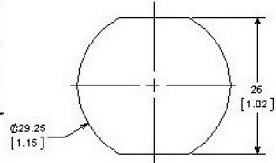
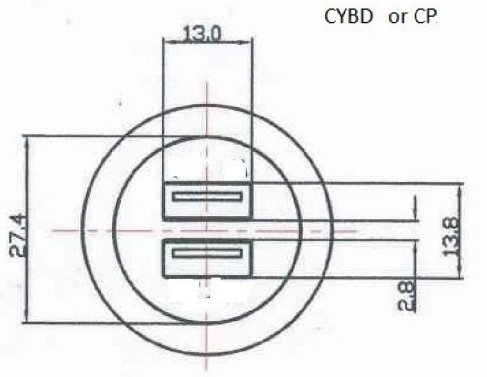
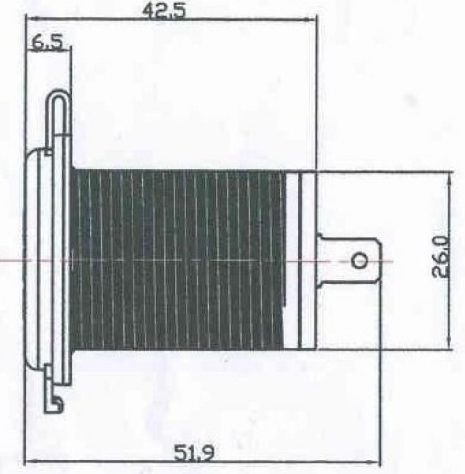
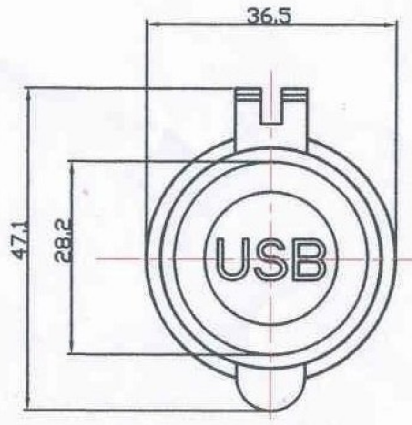


		Mounting Hole
Insulation Resistance	DC 500V 100MΩ Min.	
Dielectric Strength	AC 1500V 1 minute	
Operation Temperature	-0°C~60°C	



Basic mount use a 1-1/8" round hole.



CYBD or CP

				Drawn	Checked	Approved	BOM No.		Model Name	USB Car Charger
			△	TW			Customer No.		Model No.	
Date	Name	Description	No.	10-5-15			Unit	mm	12vtechnology LLC	Rev. 0