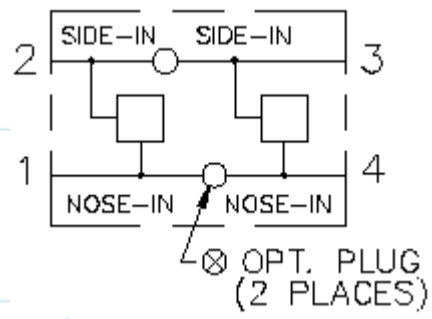


2-by-2 Bodies

PARALLEL-TYPE, 2-BY-2 BODIES

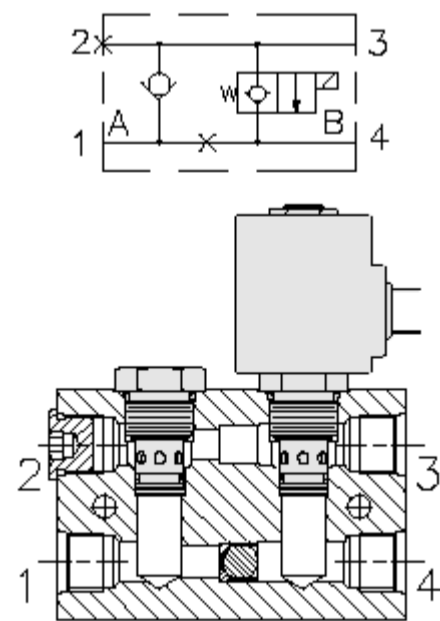
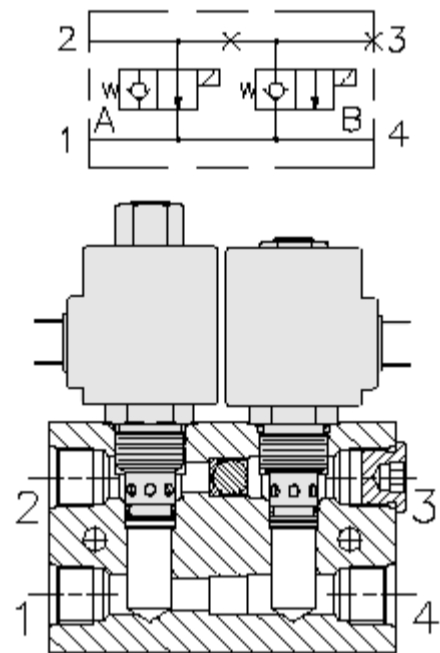


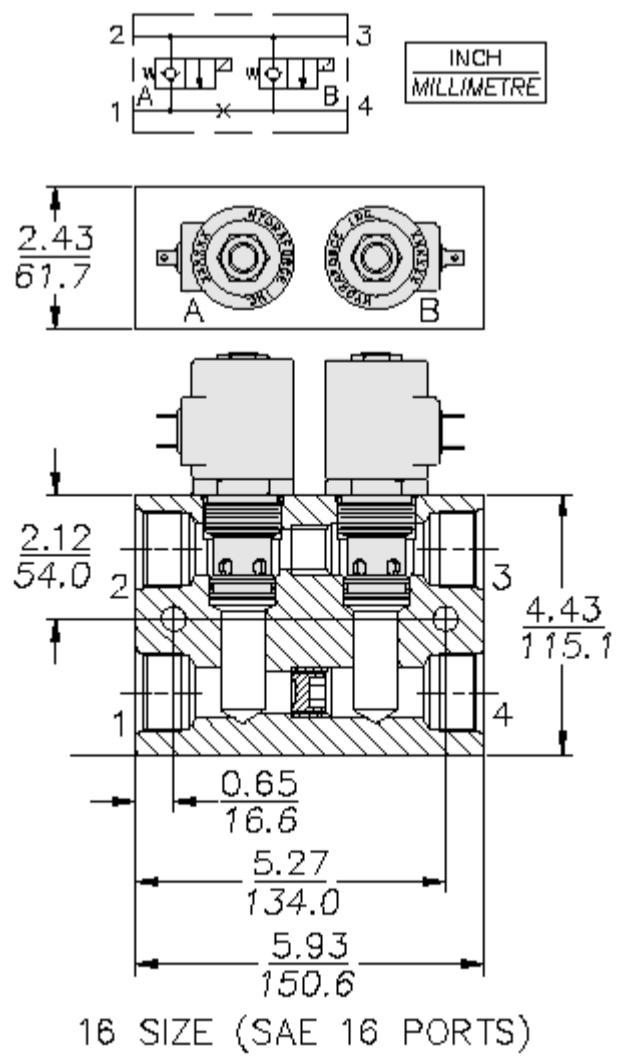
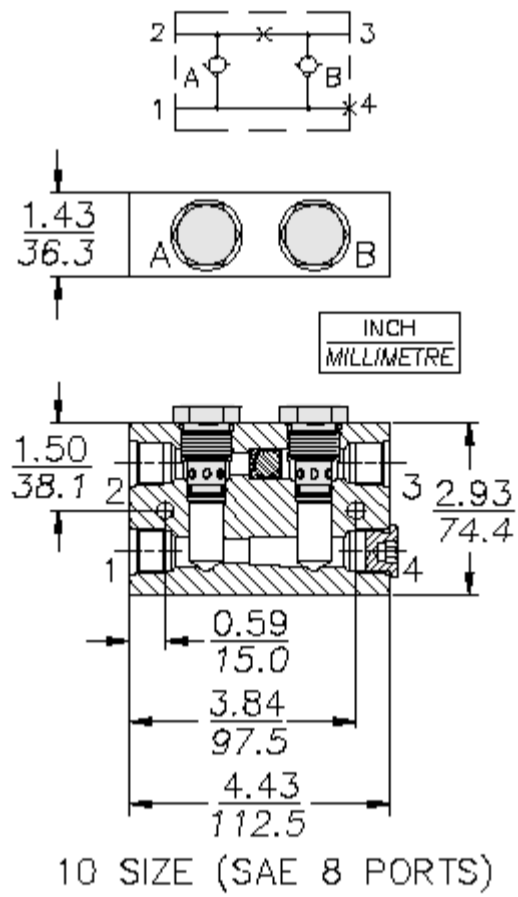
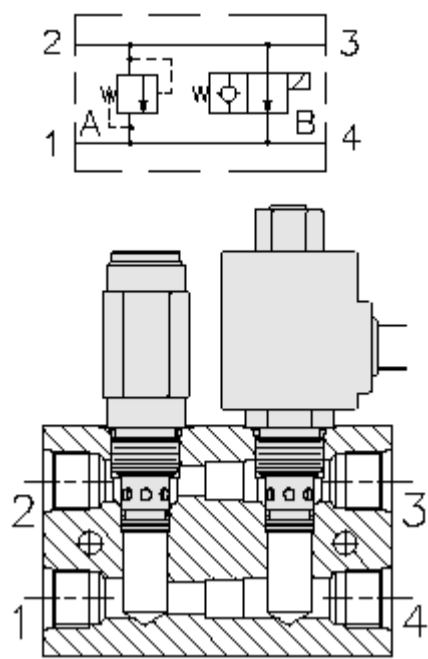
DESCRIPTION

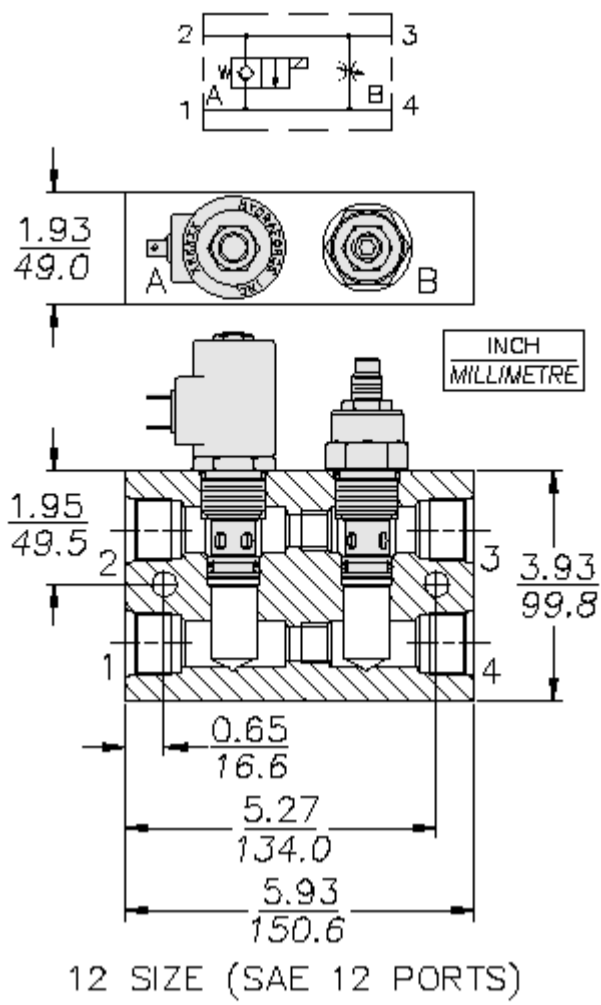
Parallel-type 2-by-2 bodies are standardized valve bodies which have multi-functional (multiple circuit) potential. They are available in three sizes to house standard -10, -12, or -16 size two-way cartridge valves. Given the wide variety of potential cartridges, the application potential for the 2-by-2 body blocks is quite large. Dimensions for the blocks are illustrated below.

APPLICATIONS

Illustrated below are a few common applications for 2-by-2 bodies:







ORDERING INFORMATION:

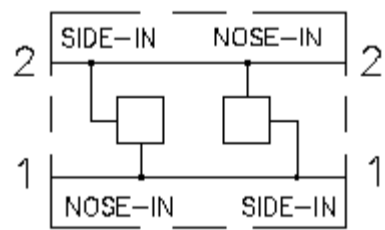
The following 2-by-2 components are ordered individually:

Size	Body	Pipe Plug	Expander Plug	SAE Plug
-08	7073910	—	6108090	6103006
-10	7070110	—	6108120	6103008
-12	7070120	6102038	—	6103012
-16	7070130	6102048	—	6103016

Part Numbers

Note: European manufactured version may differ in design/dimensions. Consult HydraForce Hydraulics, Ltd.

CROSS-OVER-TYPE, 2-BY-2 BODIES

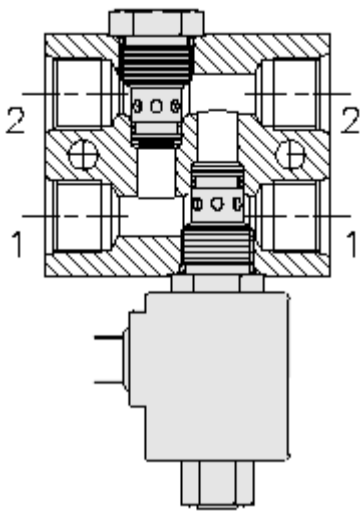
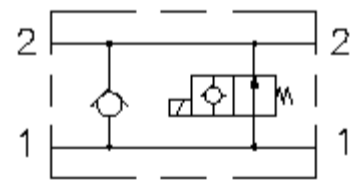
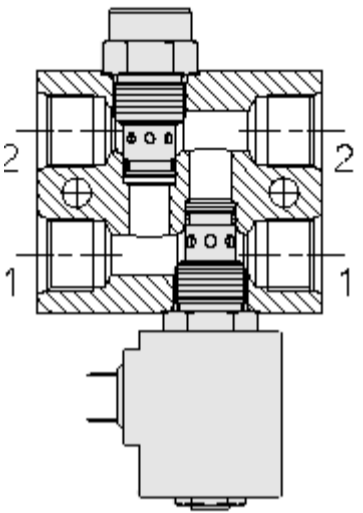
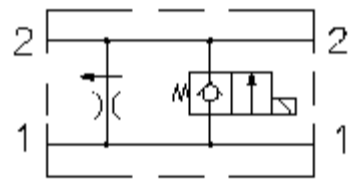
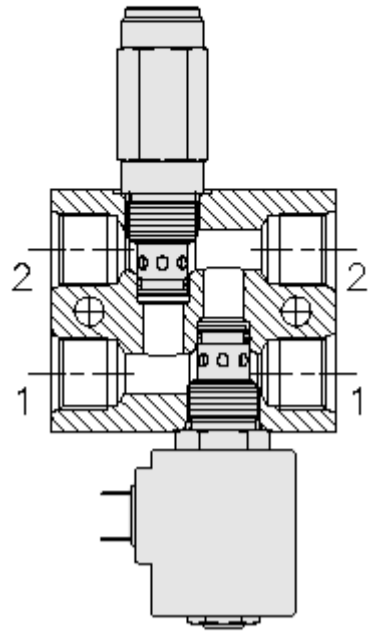
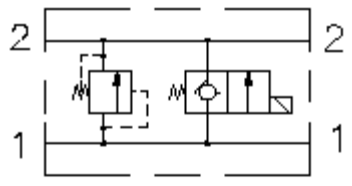


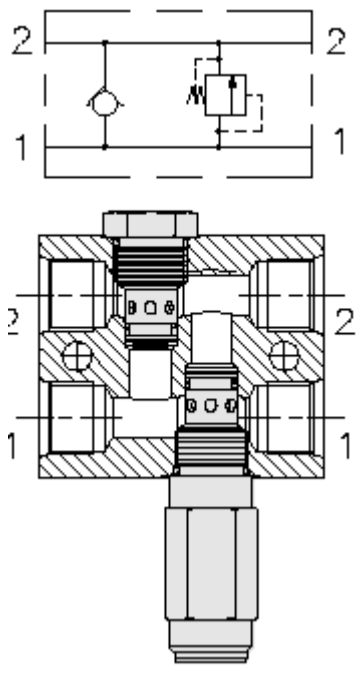
DESCRIPTION

Commonly used for cross-over relief applications, these standard bodies can also be used for alternate purposes.

APPLICATIONS

Illustrated below are a few common applications for the cross-over type 2-by-2 bodies.





ORDERING INFORMATION:

The following 2-by-2 components are ordered individually:

Size	Part No.	Port Size
-08	7070160	SAE 6
-10	7070170	SAE 10

