

G Davis  
30.4.97

S Cooper  
30.4.97

520609  
(930609)  
(930619)

06c  
6.5.99

06b  
12.1.99

06a  
CN2571  
11.12.98

06  
CN2546  
3.12.98

05  
CN2333  
23.9.97

04  
CN2292  
20.7.97

03 TH1  
30.4.97

CN2245

02  
24.3.97

CN2220

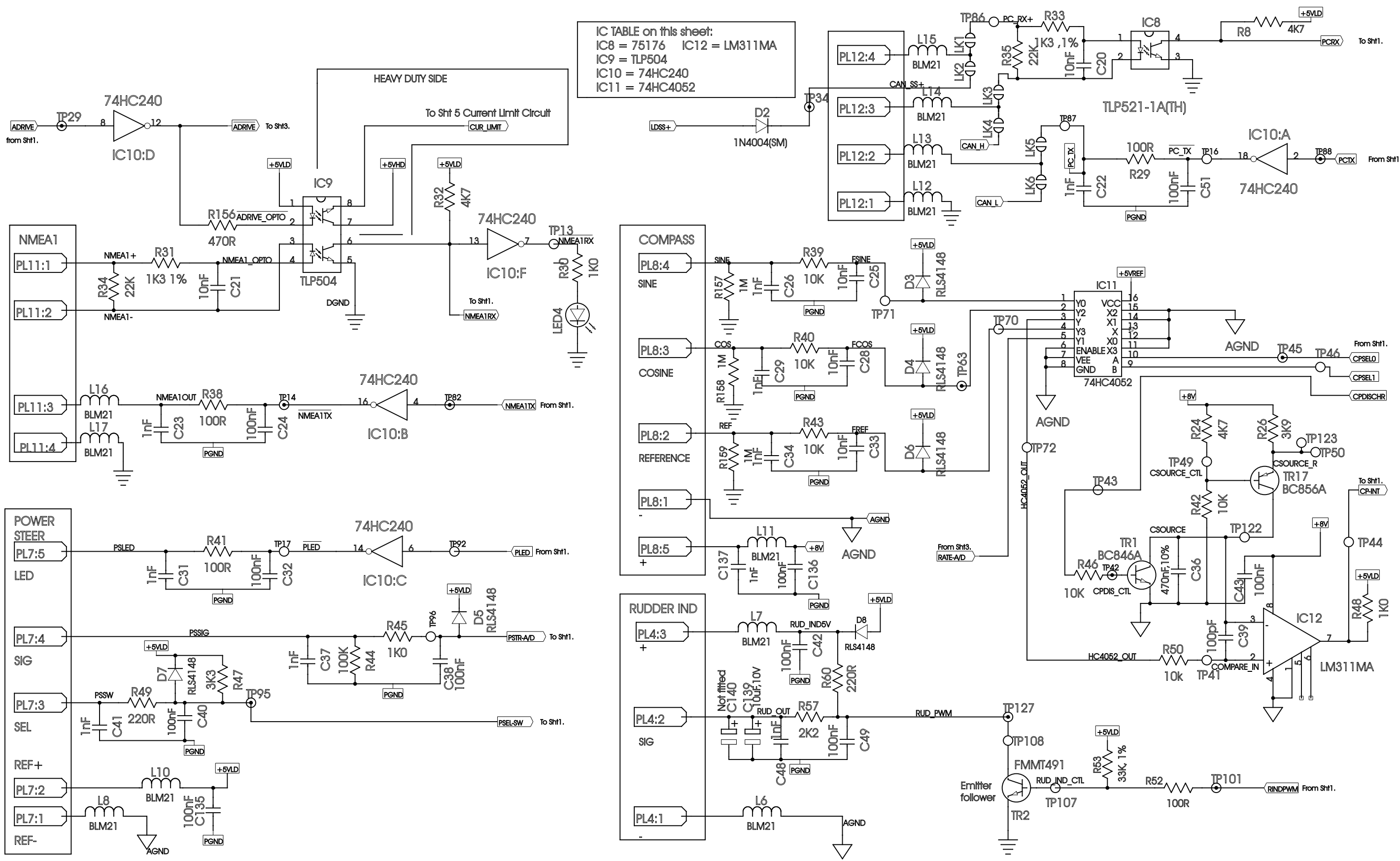
01  
10.12.96

CN2160

Circuit Diagram,  
CPU section, Main Board, 609

501284 CCT

1  
6



IC TABLE on this sheet:  
 IC8 = 75176 IC12 = LM311MA  
 IC9 = TLP504  
 IC10 = 74HC240  
 IC11 = 74HC4052

G Davis  
30.4.97

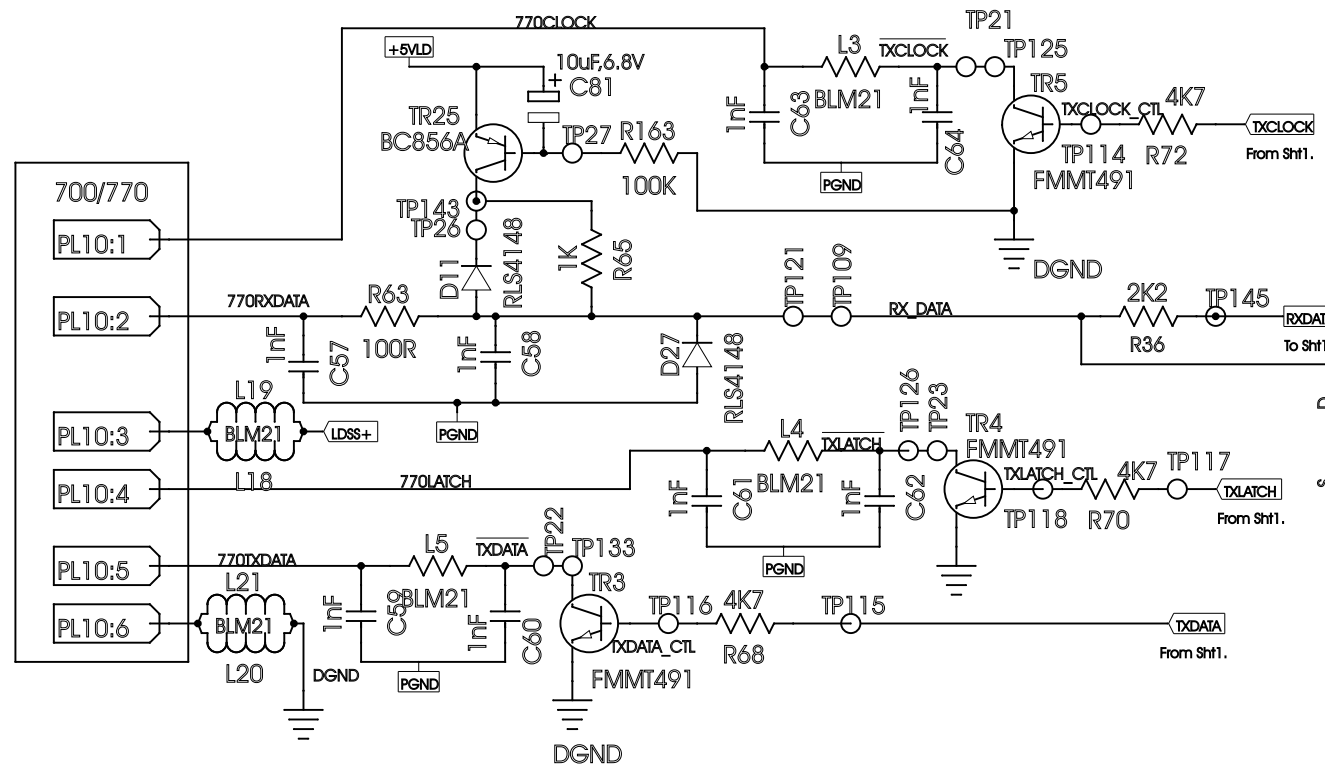
S Cooper  
30.4.97

520609  
(930609)  
(930619)

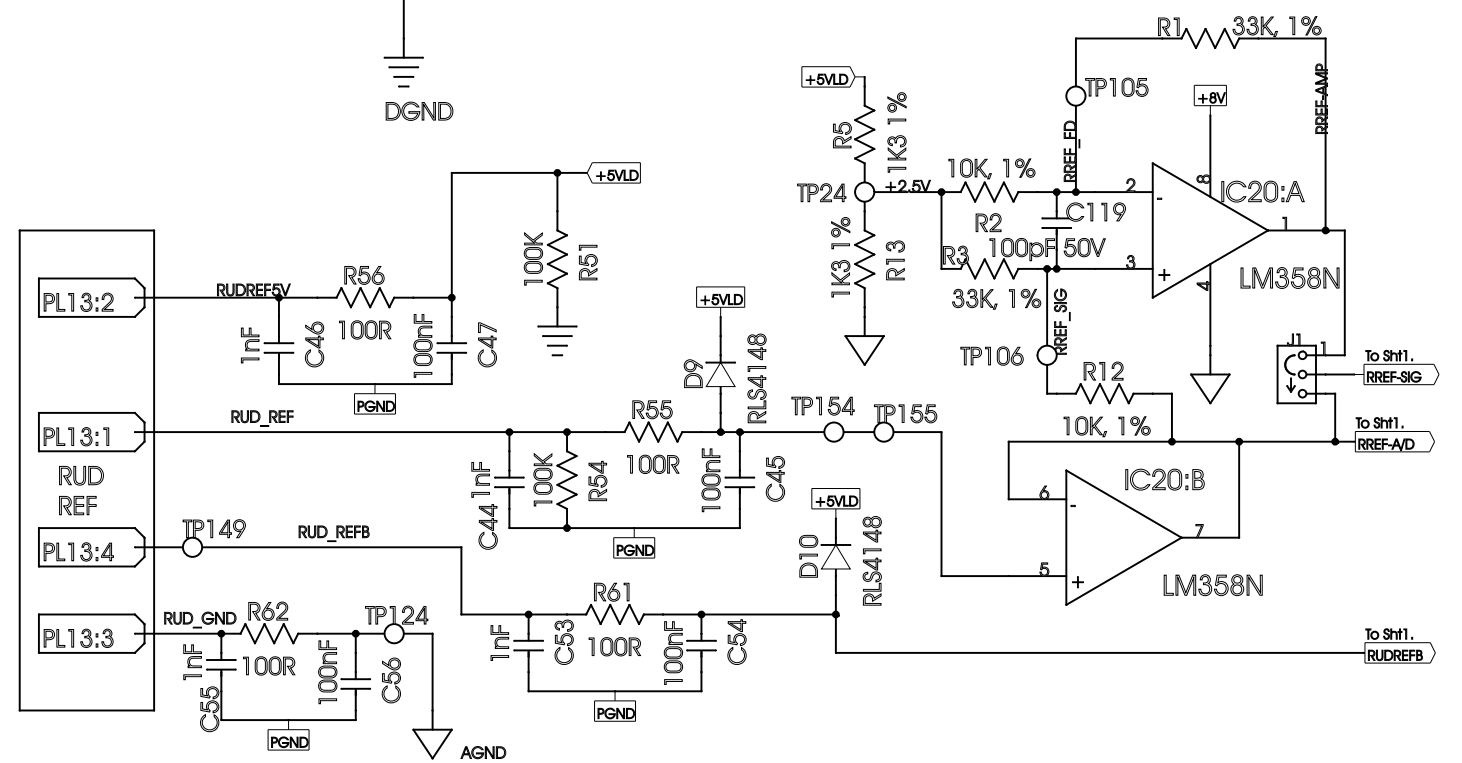
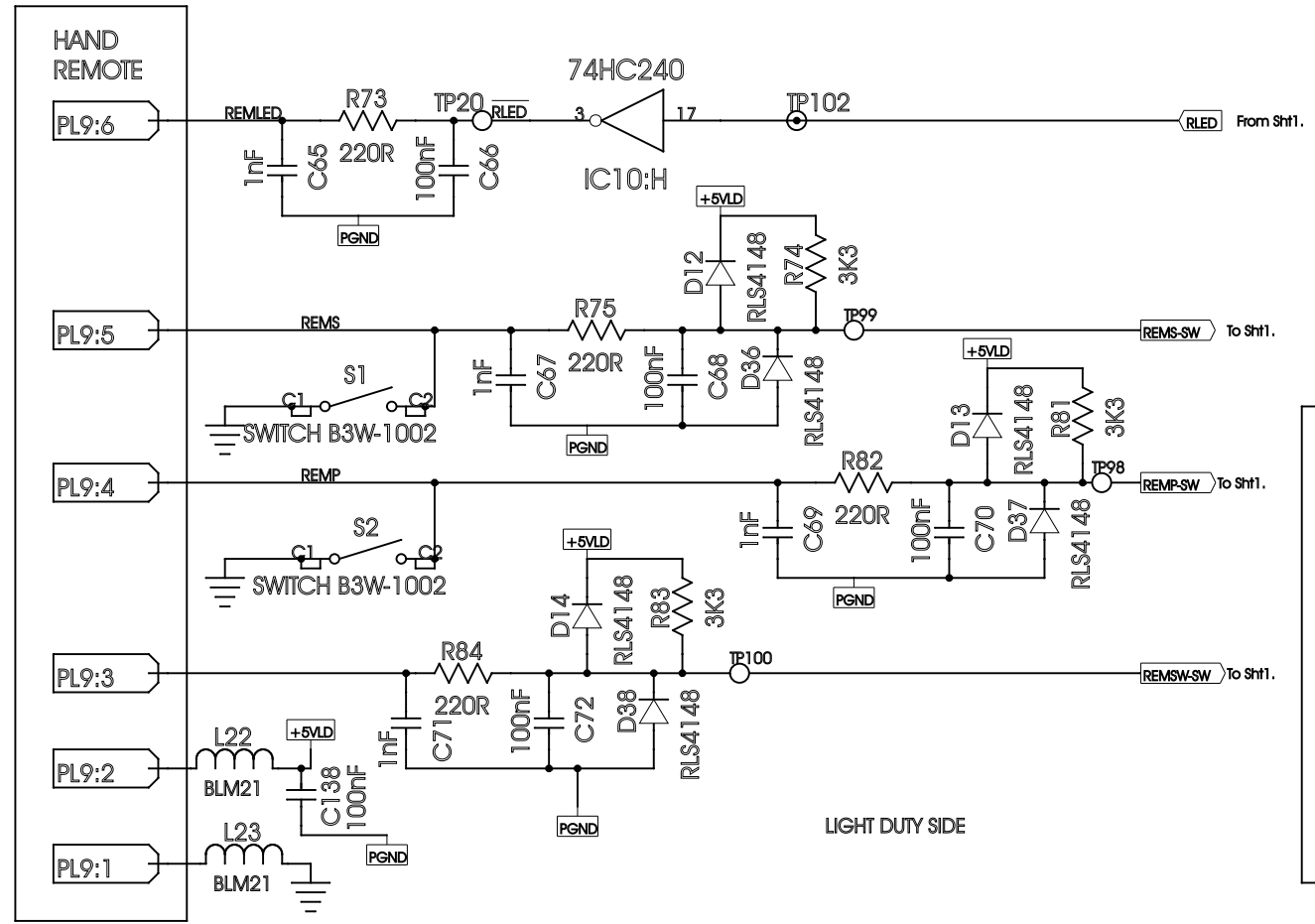
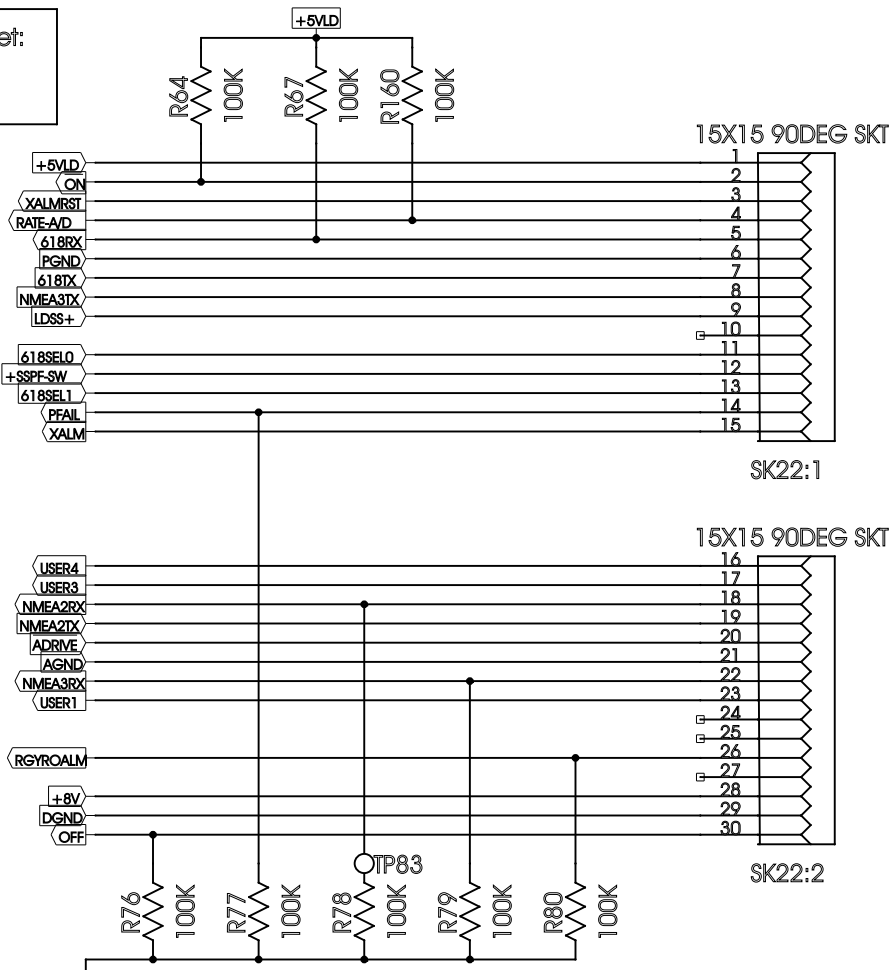
06c	CN2663
KA	6.5.99
06b	CN2578
JM	12.1.99
06a	CN2571
11.12.98	
06	CN2546
3.12.98	
05	CN2333
23.9.97	
04	CN2292
20.7.97	
03 TH1	30.4.97
CN2245	
02	24.3.97
CN2220	
01	10.12.96
CN2160	

Circuit Diagram,  
Interface 1, Main Board, 609

501284 CCT



IC TABLE on this sheet:  
 IC10 = 74HC240  
 IC20 = LM358



G Davis  
30.4.97

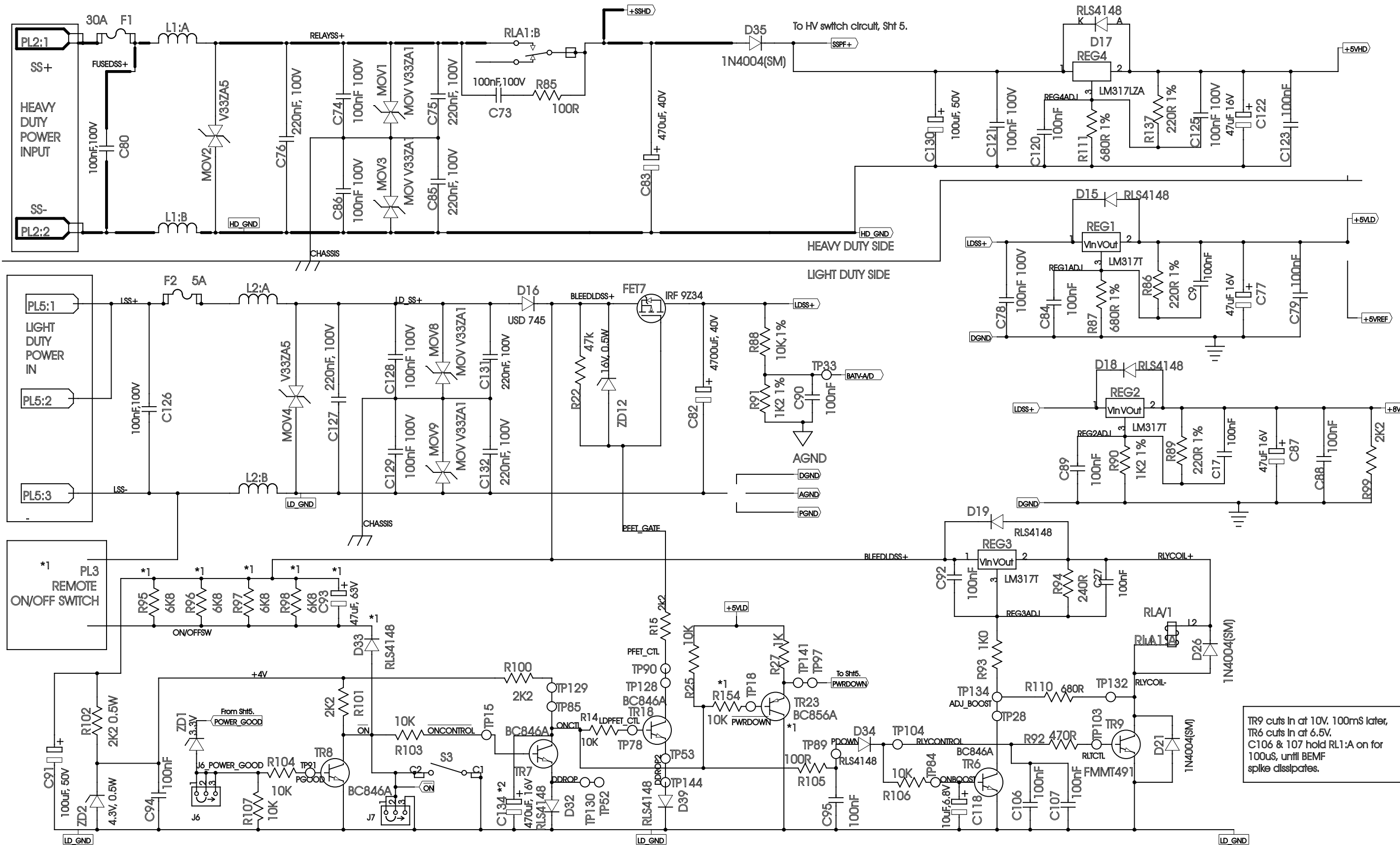
S Cooper  
30.4.97

520609  
(930609)  
(930619)

06c	6.5.99
06b	CN2578
JM	12.1.99
06a	CN2571
11.12.98	
06	CN2546
3.12.98	
05	CN2333
23.9.97	
04	CN2292
20.7.97	
03 TH	30.4.97
CN2245	
02	24.3.97
CN2220	
01	10.12.96
CN2160	

Circuit Diagram,  
Interface 2, Main Board, 609

501284 CCT



TR9 cuts in at 10V. 100ms later, TR6 cuts in at 6.5V. C106 & 107 hold RL1:A on for 100uS, until BEMF spike dissipates.

Notes: \*1 = Not fitted from Issue 02 onwards. \*2= From Issue0 3 onwards.

G Davis  
30.4.97

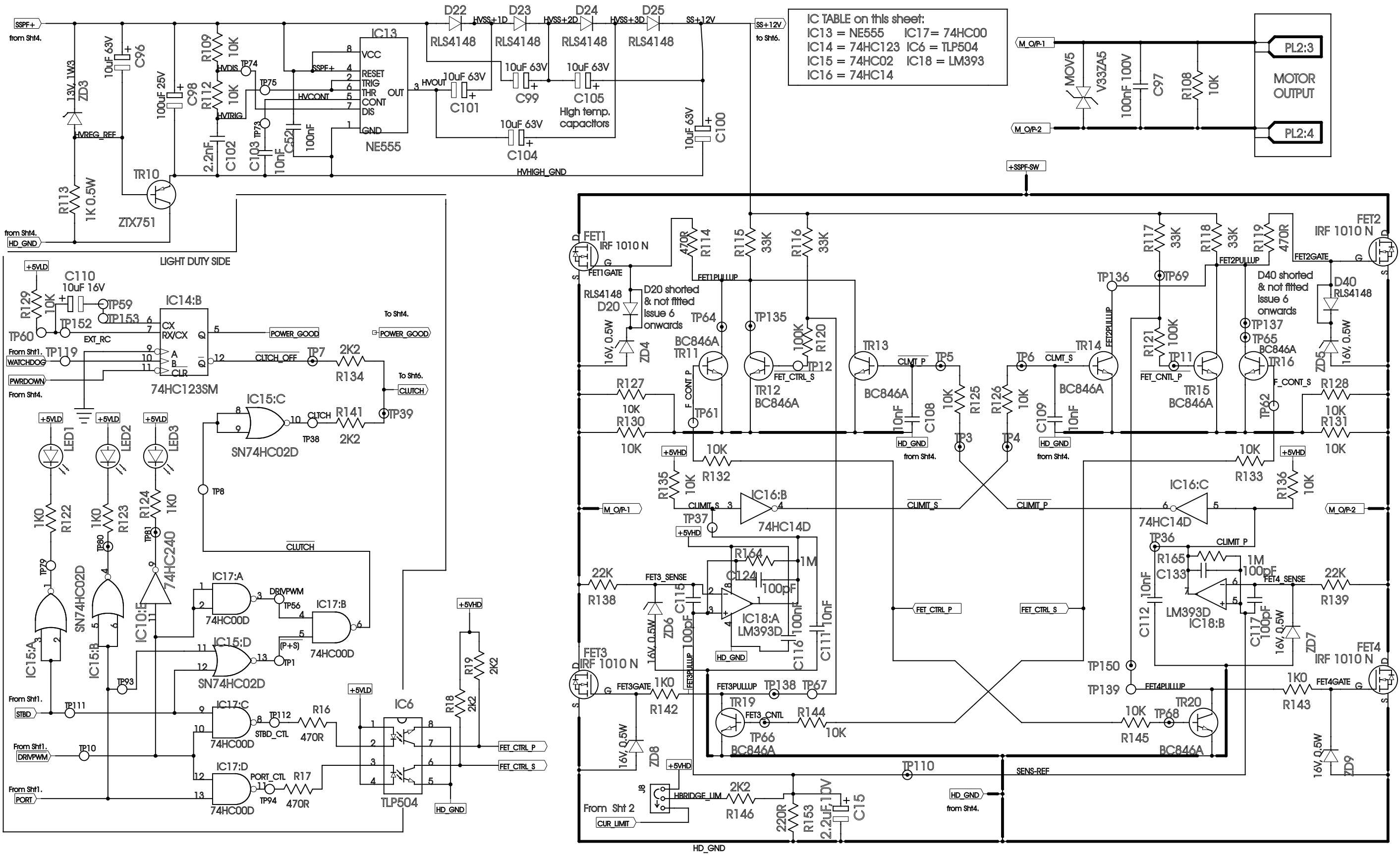
S Cooper  
30.4.97

520609  
(930609)  
(930619)

- 06c
- 6.5.99
- 06b
- 12.1.99
- 06a
- CN2571
- 11.12.98
- 06
- CN2546
- 3.12.98
- 05
- CN2333
- 23.9.97
- 04
- CN2292
- 20.7.97
- 03a
- 16.6.97
- CN2266
- 03 TH1
- 30.4.97
- CN2245
- 02
- 24.3.97
- CN2220
- 01
- 10.12.96
- CN2160

Circuit Diagram,  
PSU section, Main Board, 609

501284 CCT



IC TABLE on this sheet:  
 IC13 = NE555 IC17 = 74HC00  
 IC14 = 74HC123 IC6 = TLP504  
 IC15 = 74HC02 IC8 = LM393  
 IC16 = 74HC14

G Davis  
30.4.97

S Cooper  
30.4.97

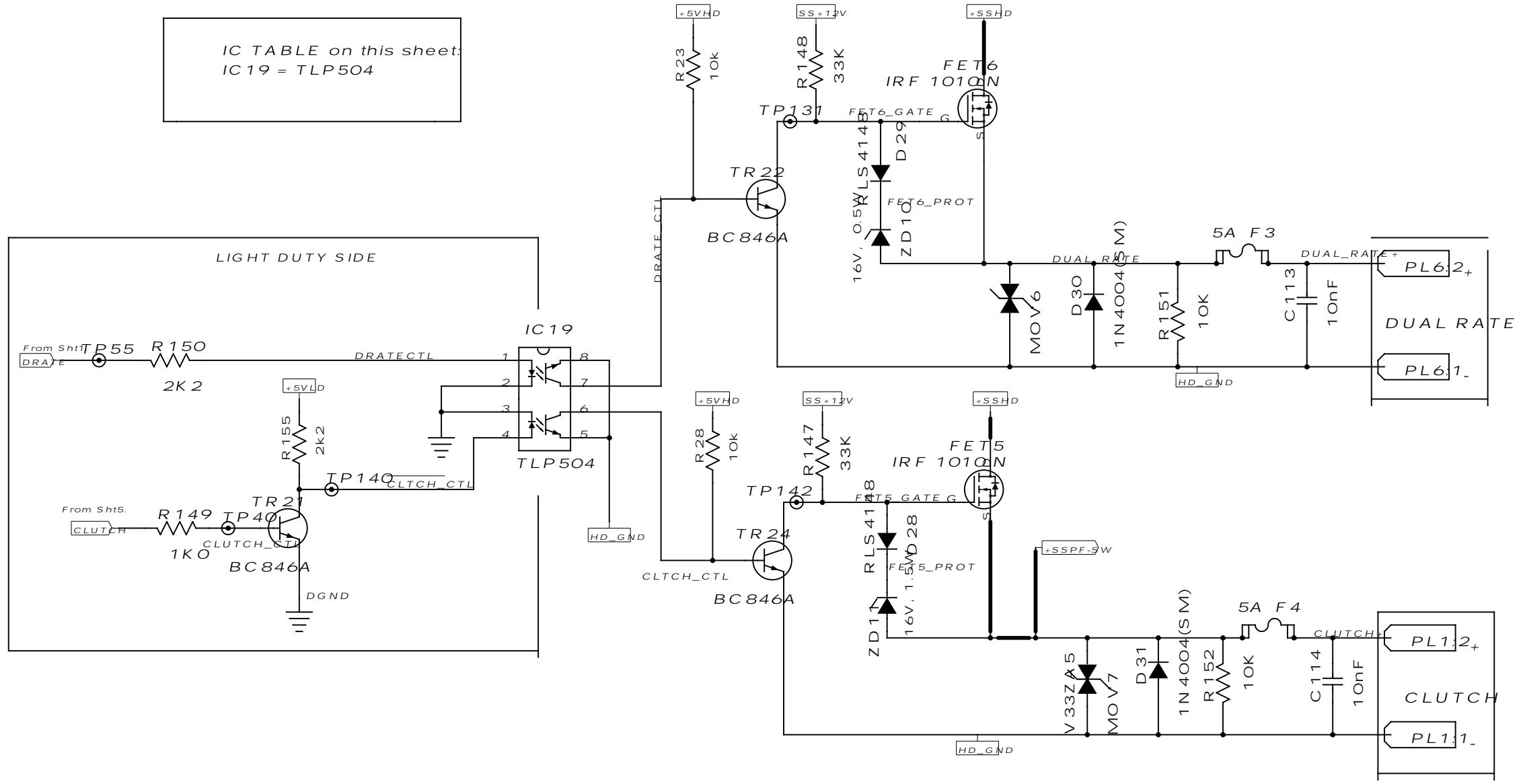
520609  
(930609)  
(930619)

- 06c 6.5.99
- 06b 12.1.99
- 06a CN2571 11.12.98
- 06 CN2546 3.12.98
- 05 CN2333 23.9.97
- 04 CN2292 20.7.97
- 03 TH 30.4.97
- CN2245
- 02 24.3.97
- CN2220
- 01 10.12.96
- CN2160

Circuit Diagram,  
FET section 1, Main Board, 609

501284 CCT

IC TABLE on this sheet:  
IC 19 = TLP504



G Davis  
30.4.97

S Cooper  
30.4.97

520609  
(930609)  
(930619)

O6c
6.5.99
O6b
12.1.99
O6a
CN 2571
11.12.98
O6
CN 2546
3.12.98
O5
CN 2333
23.9.97
O4
CN 2292
20.7.97
O3 TH
30.4.97
CN 2245
O2
24.3.97
CN 2220
O1
10.12.96
CN 2160

Circuit Diagram,  
FET section 2, Main Board, 609  
**501284 C C T<sub>6</sub>**