

IC1 = TLP504
 IC2 = 74HC240
 IC3 = 74HC14
 IC4 = 74HC08

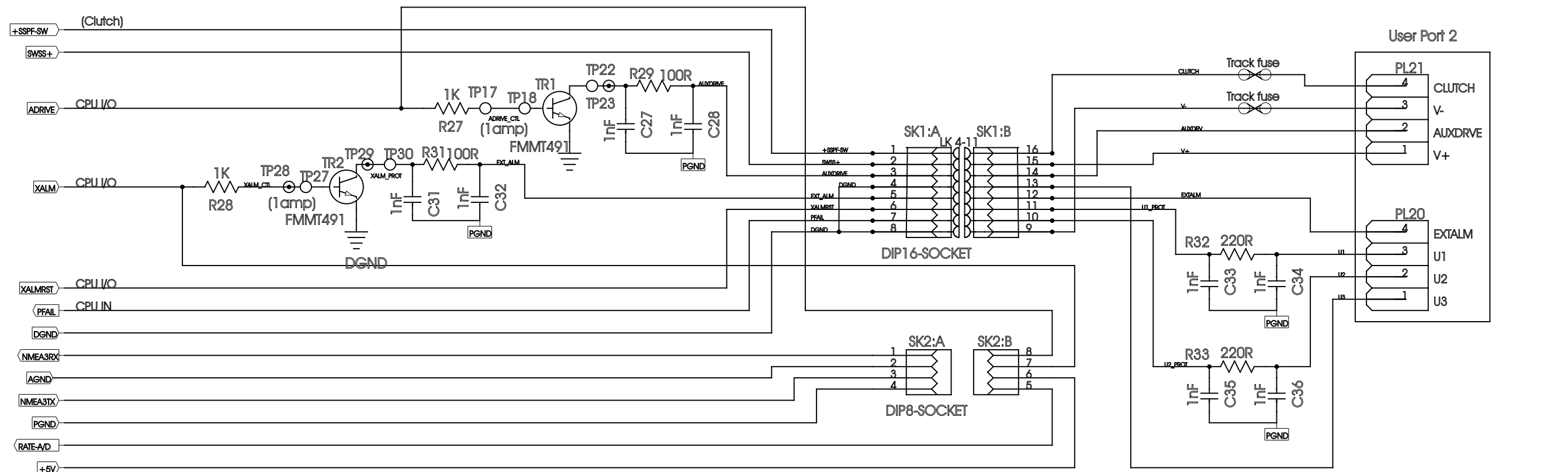
power pins
 IC2, 20=IC2+5v, 1,10 & 19 =DGND
 IC3, 13=IC3+5v, 7= DGND

G.Davis
 11.12.96

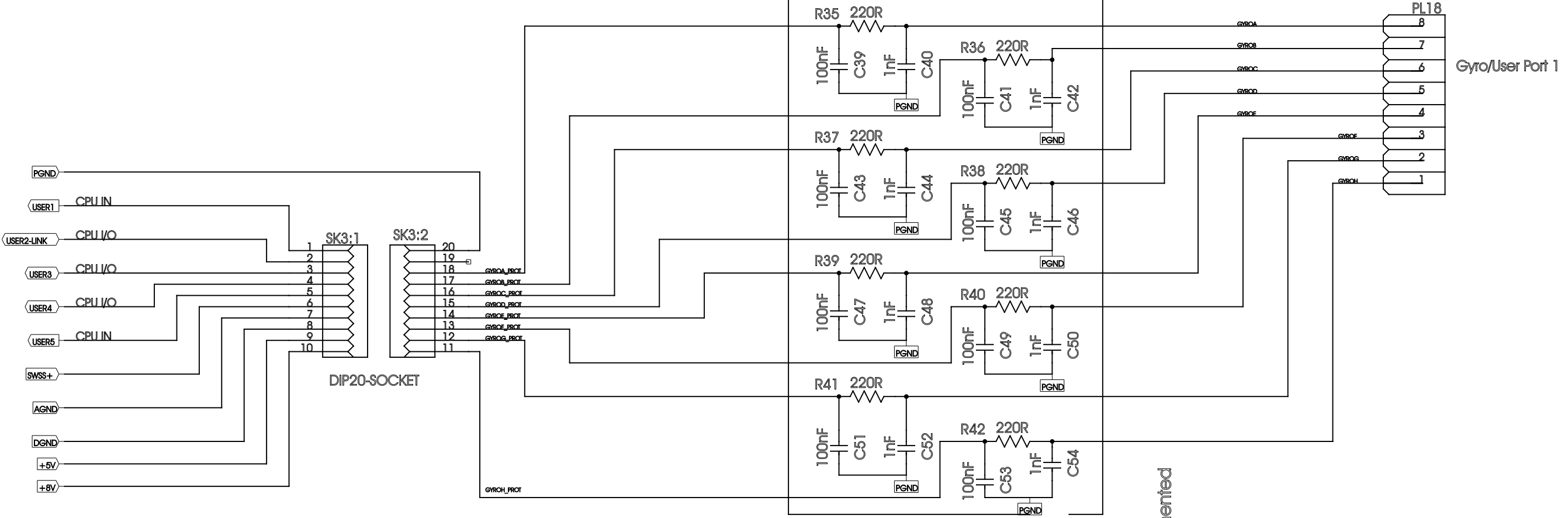
930619

01b 14.6.99
 01a 29.4.98
 CN2471
 02 CN2295
 4.8.97
 not implemented
 01 11.12.96
 CN2166
 B 9.10.96
 14.8.96
 13.8.96
 A 4 Mar 96
 1 Mar 96
 27 Feb
 26 Feb
 16 Feb
 14 Feb 96

Circuit Diagram,
 Interface Board,619
 501285 CCT



Capacitors C39 to 54 are not fitted from 28.4.98



G.Davis
11.12.96

930619

01b KA CN2670 14.6.99
01a 29.4.98 CN2471
02 CN2295 4.8.97
not implemented
01 11.12.96 CN2166
B 14.8.96 13.8.96

Circuit Diagram,
Interface Board,619
501285 CCT