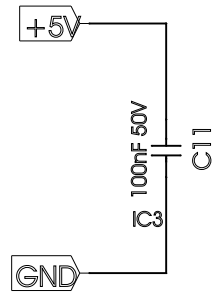


Decoupling Capacitors

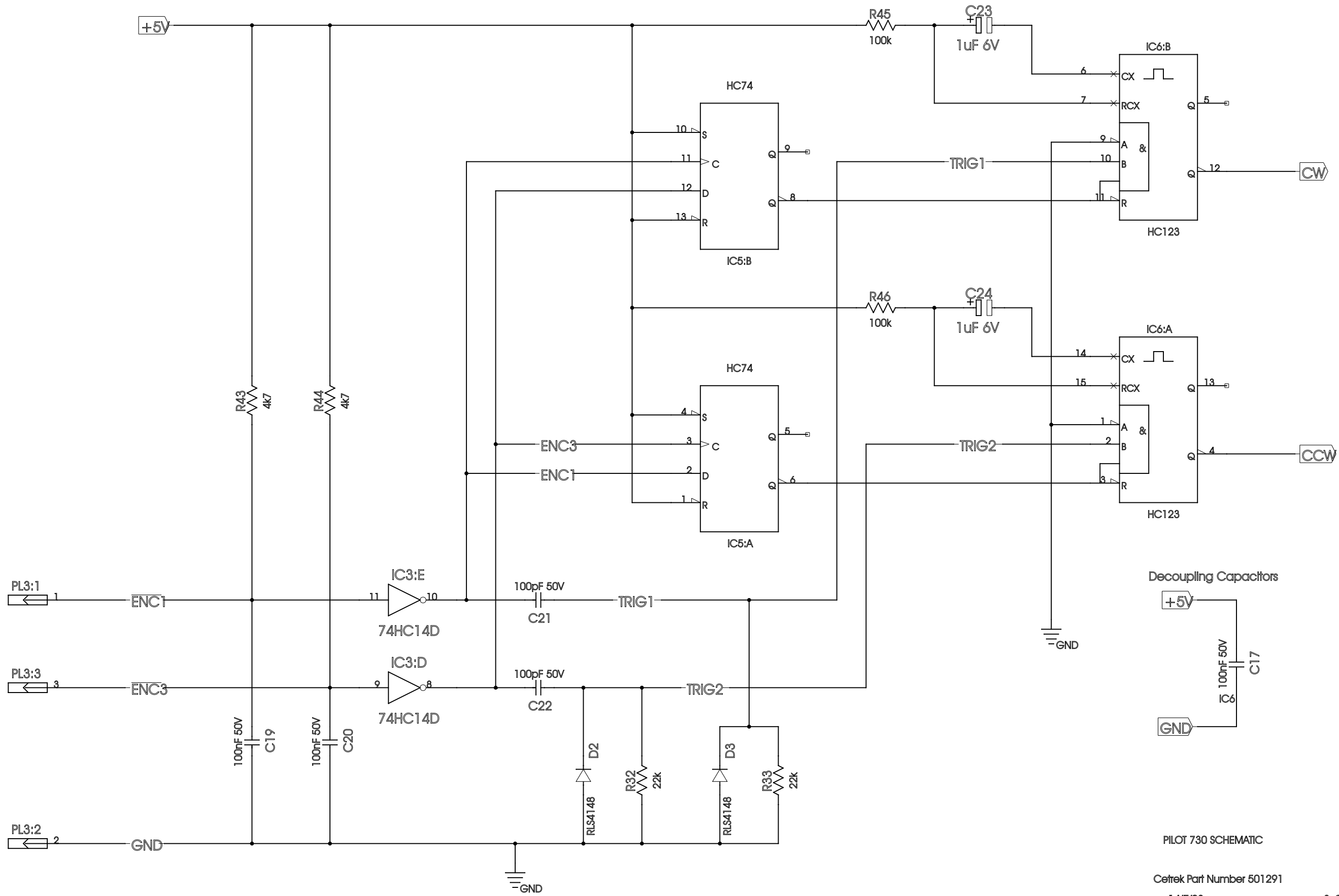


PILOT 730 SCHEMATIC

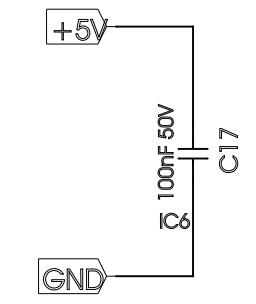
Cetrek Part Number 501291

14/7/98

S. C.



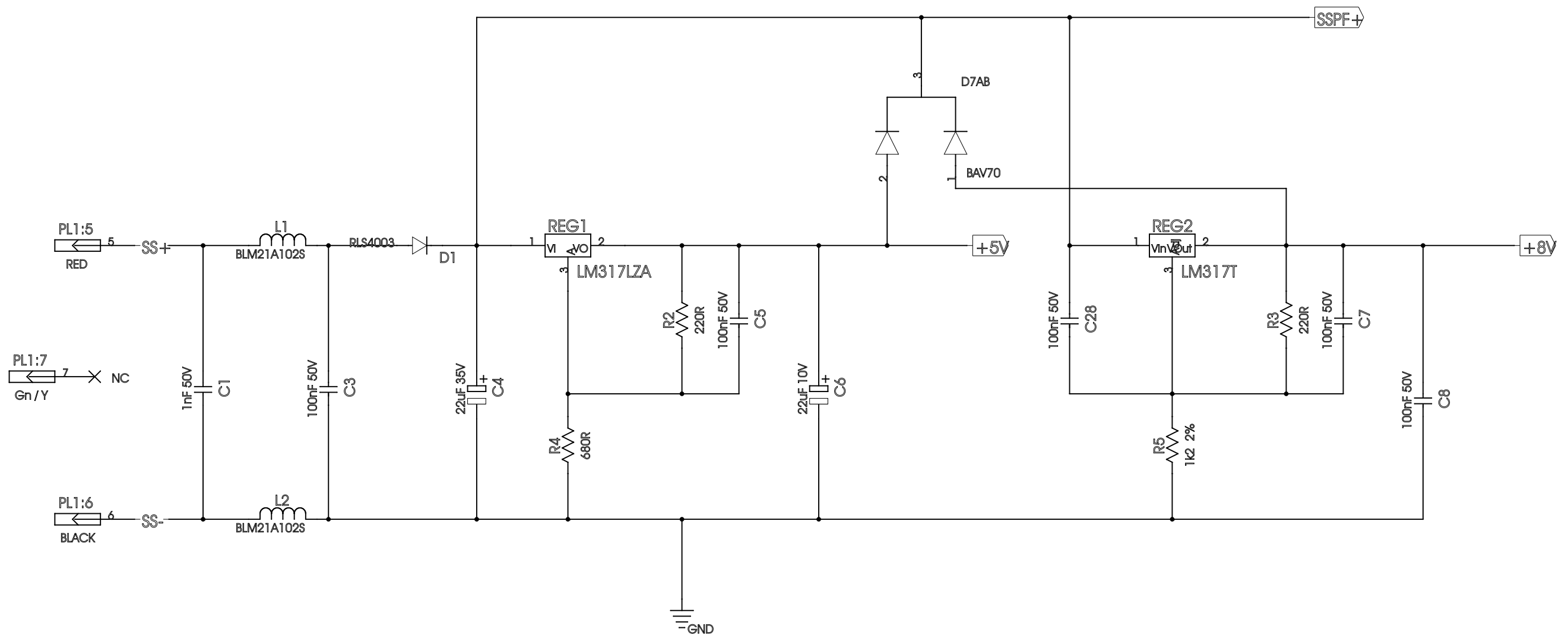
Decoupling Capacitors



PILOT 730 SCHEMATIC

Cetrek Part Number 501291

14/7/98

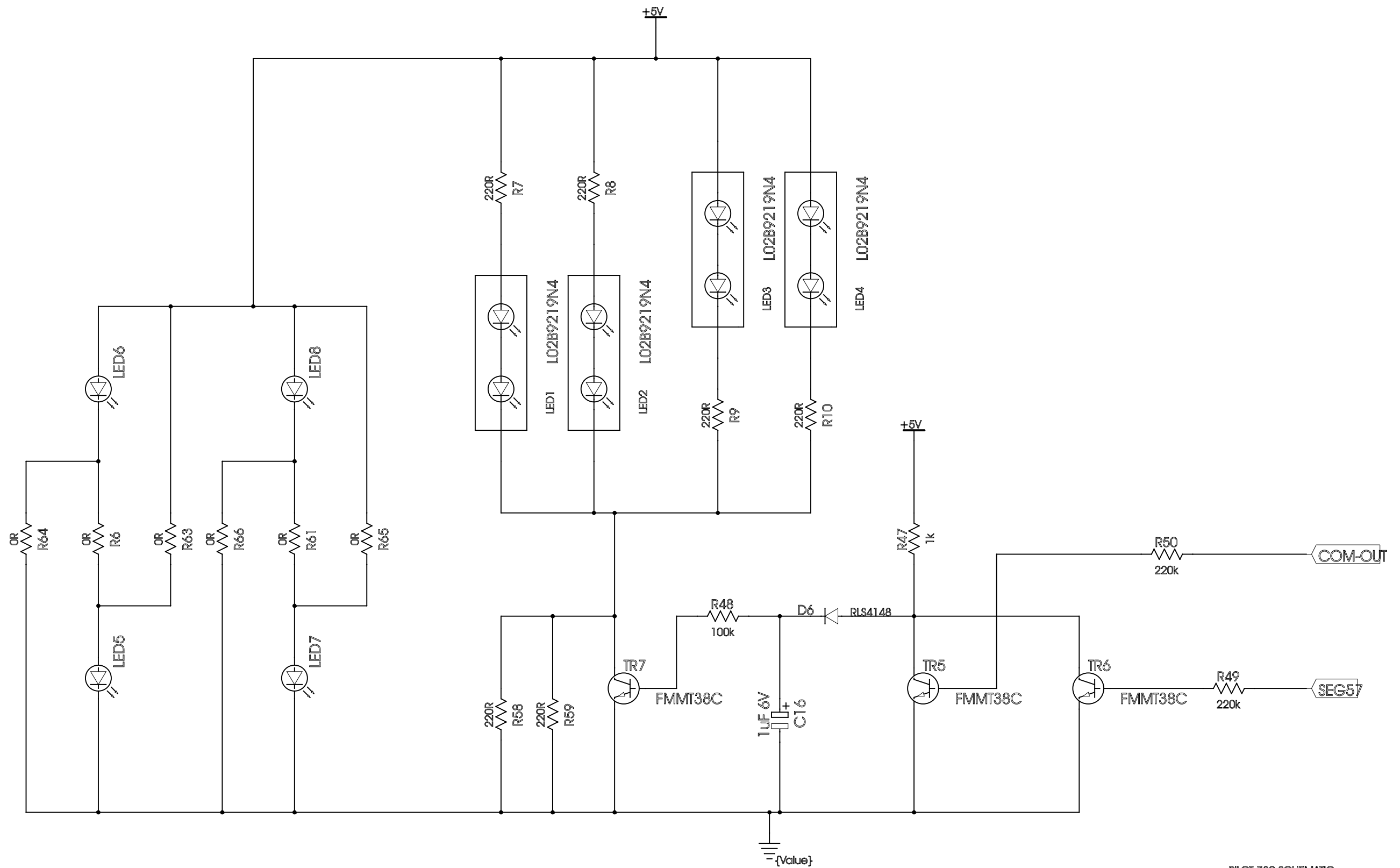


PILOT 730 SCHEMATIC

Cetrek Part Number 501291

14/7/98

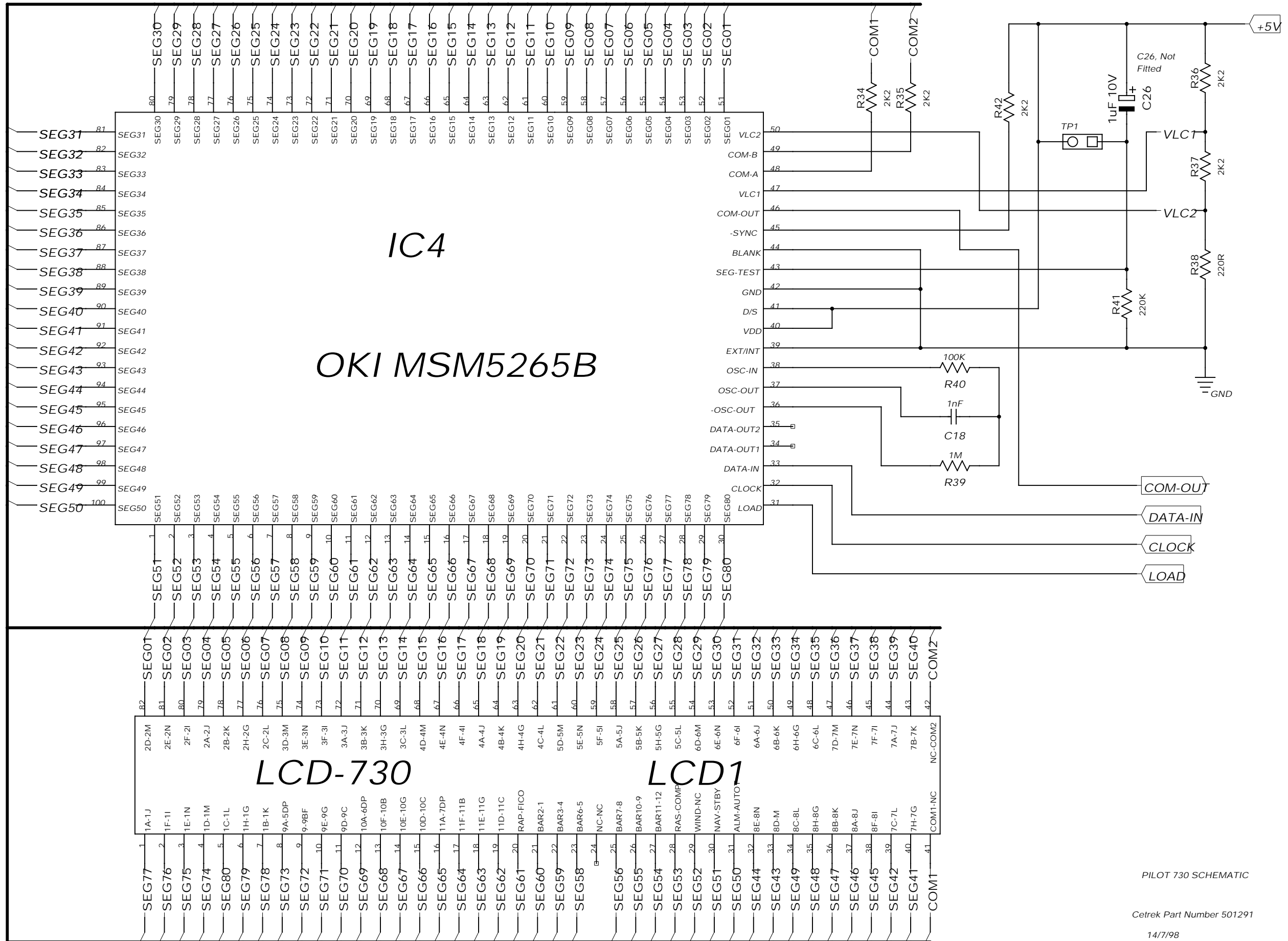
S. C.



PILOT 730 SCHEMATIC

Cetrek Part Number 501291

14/7/98



PILOT 730 SCHEMATIC

Cetrek Part Number 501291

14/7/98

S. C.