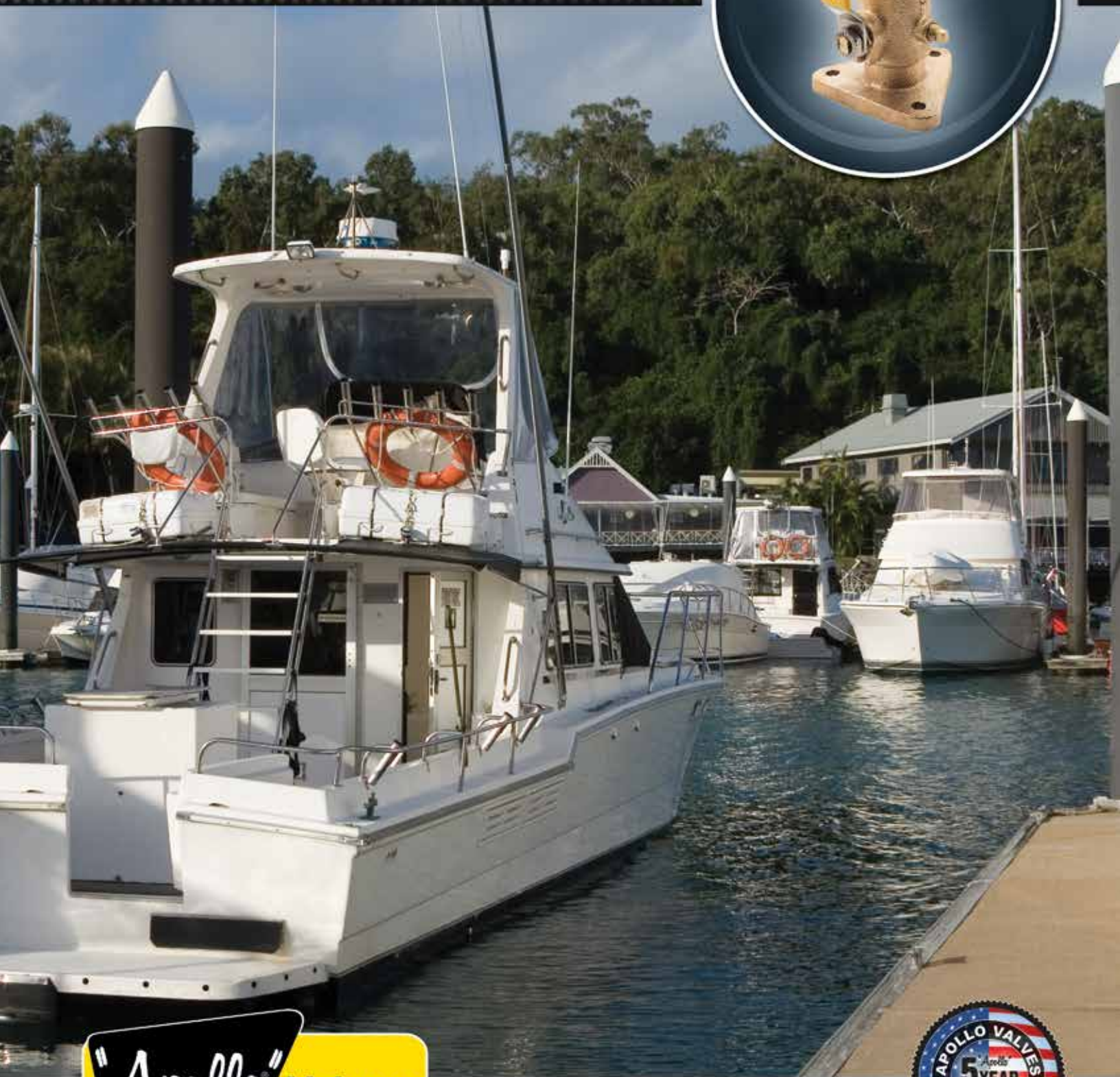


MARINE VALVES & FITTINGS





A history of Quality, Service and Innovation

Now in its ninth decade, Conbraco Industries, Inc. is a leading manufacturer of flow control products for U.S. and international markets. The company's headquarters is based in Matthews, North Carolina with manufacturing plants and foundries located in Pageland and Conway, South Carolina.

Conbraco has a history of new product development and innovation that dates back to the company's inception in 1928. Today, the Conbraco line of products is marketed under the "Apollo Valves" brand and includes: ball valves, butterfly valves, backflow prevention devices, water pressure reducing valves, mixing valves, safety relief valves, water gauges, strainers, vacuum breakers, valve actuators and more.

Conbraco's vertically integrated manufacturing ensures a consistency of production, testing, quality and availability. It's your assurance that Conbraco flow control products will deliver long term performance advantages. All Conbraco plants are registered to ISO 9001:2008 quality standards.

The Conbraco line continues to expand - with new products, designs and advanced materials - to better serve the needs of our customers in the chemical processing, pulp and paper, petroleum, residential and commercial plumbing and heating markets, as well as manufacturing and other markets.



PAGELAND, SC
Bronze Foundry and Manufacturing Plant



PAGELAND, SC
Final Assembly and Distribution Center



CONWAY, SC
Steel Foundry and Manufacturing Plant



MATTHEWS, NC
Corporate Headquarters

TABLE OF CONTENTS

Apollo Full Flow Sea Flange Valves	3	Stainless Steel Ball Cone Check Valve 62 Series.	7
Apollo Economy Sea Flange Valves	3	Thru-Hull Connections and Components	8-9
78-600/900 Series Bronze Valve w/Center Drain.	4	Intake Strainer - One Piece	9
77-100-10 Series Shut-Off Valve	4	Pipe to Hose Adapter	10
70-100-10 Series Shut-Off Valve	5	90° Pipe to Hose Adapter	10
5-Port Fuel Tank Selector Ball Valve	5	Warranty	11
Series 70-600-10 Three-Way Diverter Valve	6		
Ball Type Fuel Shut-Off Valve	6		
Bronze Ball Cone Check Valve 61 Series.	7		

MARINE VALVES AND FITTINGS

Sea Flange Valves

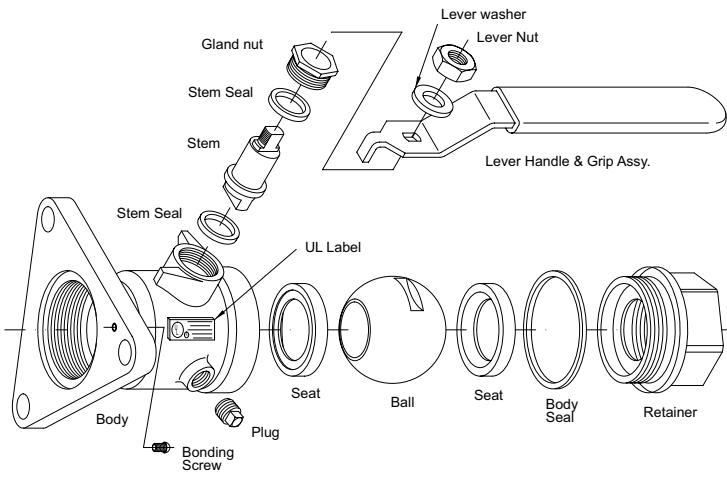
APOLLO® FULL FLOW SEA FLANGE VALVES

An 85-5-5 bronze ball type valve developed to replace plug and other types of sea cocks in the boating industry. Features like these make the full flow Apollo® Sea Flange your best choice for long-lasting performance and value.

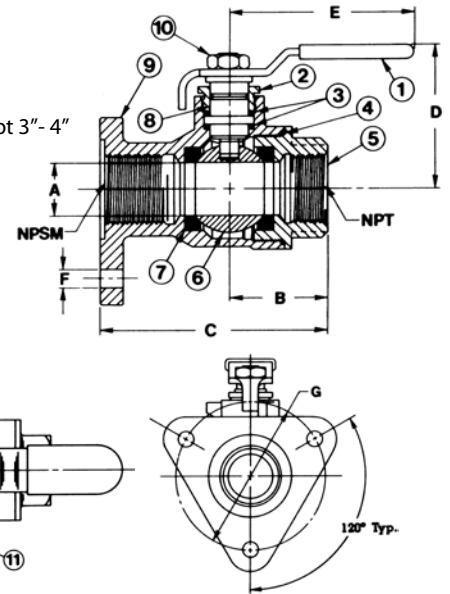


FEATURES:

- Underwriters Laboratories listed
- All AYBA recommended materials
- All bronze wetted metallic components
- Large flow ports (designated by "F" at the end of the part #)**
- RPTFE seats and seals
- Chromium plated bronze ball—resists damage from marine growth
- Easy on-off operation
- Winterizing drain plug
- No thumb screws to create seal
- Stainless steel lever and nut
- Compact, streamlined efficient design
- No lubrication required
- Bonding screw standard



1. Lever & grip
2. Gland screw
3. Stem seals
4. Body seal, except 3"-4"
5. Retainer
6. Ball
7. Seat (2)
8. Stem
9. Body
10. Lever nut
11. Plug



Part Number	NPT Size	Dimensions (in.)								WT/100
		A	B	C	D	E	F	G	H	
78-115-01F**	3/4"	0.75	1.56	3.62	2.16	4.78	0.34	3.12	0.06	270
78-118-01	1"	1.00	1.87	4.25	2.62	5.50	0.34	3.37	0.25	380
78-119-01	1 1/4"	1.25	2.15	4.81	2.81	5.50	0.34	3.62	0.37	575
78-116-01F**	1 1/2"	1.50	2.37	5.21	3.13	5.37	0.34	4.50	0.34	725
78-120-01	2"	2.00	2.84	6.25	4.68	8.00	0.34	5.00	0.87	1290
78-117-01	2 1/2"	2.50	3.18	6.87	4.00	8.00	0.34	5.87	1.00	1820
78-121-01A	3"	3.12	3.54	7.23	5.21	9.93	0.40	7.00	1.25	2118
78-122-01A	4"	4.00	3.75	8.06	5.68	9.93	1.13	8.44	1.90	3305

Contact Customer Service for availability on locking handle option

** Large flow ports

APOLLO® ECONOMY SEA FLANGE VALVES

Same great features and quality all-bronze construction as Full Flow Sea Flange valves, but with standard port design and lower cost.

Part Number	NPT Size	Dimensions (in.)								WT/100
		A	B	C	D	E	F	G	H	
78-115-01	3/4"	0.68	1.50	3.50	2.18	4.87	0.34	3.12	0.06	232
78-116-01	1 1/2"	1.25	2.18	4.81	2.87	5.50	0.34	4.50	0.18	630

Contact Customer Service for availability on locking handle option



For additional information, submittal sheets and manuals, visit www.apollovalves.com

Customer Service (704) 841-6000

MARINE VALVES AND FITTINGS

Bronze Valve with Center Drain

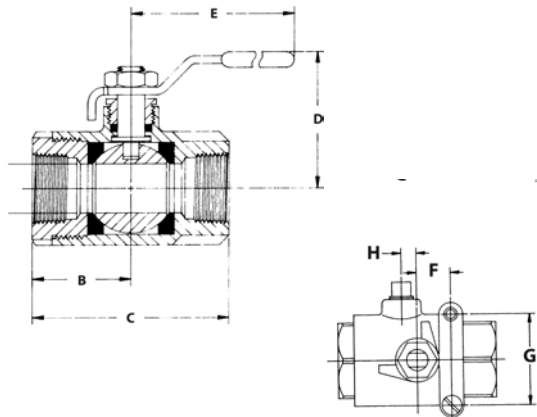
78-600/900 SERIES



Center tap drain allows winterization of the valve. Bonding screw allows valve to be connected to the vessel's bonding system.

FEATURES:

- Bronze body
- Chromium plated brass ball
- RPTFE seats and stuffing box ring
- Blow-out-proof stem design
- Stainless steel lever and nut
- Mounting pads
- Tapered pipe threads



Part Number	NPT Size	Dimensions (in.)								WT/100
		A	B	C	D	E	F	G	H	
78-664-01	3/4"	0.68	1.50	3.00	2.12	4.87	0.87	1.37	0.17	153
78-665-01	1"	0.87	1.68	3.37	2.25	4.87	0.87	1.37	0.21	186
78-666-01	1 1/4"	1.00	2.00	4.00	2.62	5.50	0.93	1.50	0.28	339
78-667-01	1 1/2"	1.25	2.18	4.37	3.05	8.00	0.93	1.50	0.40	468
78-962-01	2"	1.50	2.34	4.69	3.24	8.00	0.93	1.50	0.45	572

Shut-Off Valve

77-100-10 SERIES



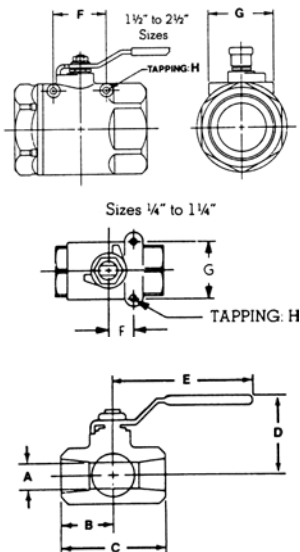
The bronze full port Apollo® with mounting pads for easy, secure installation and quick, convenient bonding. Use in any valve application where full flow is required.

FEATURES:

- Bronze Body
- Chromium Plated Brass Ball
- RPTFE Seats And Stuffing Box Ring
- Blow-Out-Proof Stem Design
- Stainless Steel Lever And Nut

OPTIONS:

- 316 stainless steel ball and stem



Part Number	NPT Size	Dimensions (in.)								WT/100
		A	B	C	D	E	F	G	H	
77-101-10	1/4"	0.43	1.12	2.25	1.81	3.87	0.50	1.12	10-24NC	79
77-102-10	3/8"	0.50	1.12	2.25	1.81	3.87	0.50	1.12	10-24NC	75
77-103-10	1/2"	0.50	1.12	2.25	1.81	3.87	0.50	1.12	10-24NC	69
77-104-10	3/4"	0.81	1.56	3.12	2.12	4.87	0.87	1.37	10-24NC	183
77-105-10	1"	1.00	1.81	3.62	2.62	5.50	0.93	1.50	1/4-20NC	332
77-106-10	1 1/4"	1.25	2.12	4.25	2.87	5.50	0.93	1.50	1/4-20NC	505
77-107-10	1 1/2"	1.50	2.37	4.75	3.34	8.00	2.08	3.06	5/16-24NF	671
77-108-10	2"	2.00	2.65	5.37	3.71	8.00	2.41	3.52	5/16-24NF	1175
77-109-10	2 1/2"	2.50	3.25	6.50	4.12	8.00	2.75	3.37	1/4-20NC	1725

MARINE VALVES AND FITTINGS

Shut-Off Valve

70-100-10 SERIES

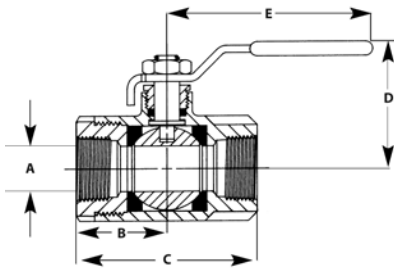
The mainstay of our valve line. Dependable, competitive and available with stainless steel lever and nut.

FEATURES:

- Bronze body
- Chromium plated brass ball
- RPTFE seats and stuffing box ring
- Blow-out-proof stem design
- Stainless steel lever and nut

OPTIONS:

- 316 stainless steel ball and stem



Part Number	NPT Size	Dimensions (in.)					WT/100
		A	B	C	D	E	
70-101-10	1/4"	0.37	1.03	2.06	1.75	3.87	60
70-102-10	3/8"	0.37	1.03	2.06	1.75	3.87	56
70-103-10	1/2"	0.50	1.12	2.25	1.75	3.87	63
70-104-10	3/4"	0.68	1.50	3.00	2.12	4.87	139
70-105-10	1"	0.87	1.68	3.37	2.25	4.87	172
70-106-10	1 1/4"	1.00	2.00	4.00	2.62	5.50	326
70-107-10	1 1/2"	1.25	2.18	4.37	3.06	8.00	461
70-108-10	2"	1.50	2.34	4.68	3.25	8.00	608
70-109-10A	2 1/2"	2.50	3.25	6.50	4.12	8.00	1725
70-100-10	3"	2.50	3.37	6.75	4.12	8.00	1860

5-Port Fuel Tank Selector Ball Valve

MODELS 78-124-01 & 78-125-01A

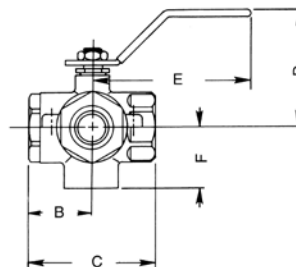
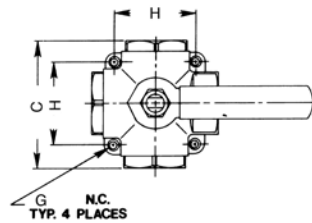
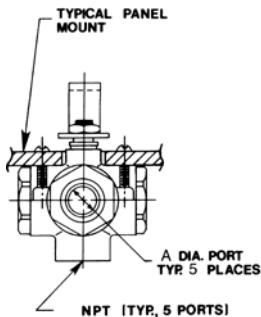
Unique ball design allows for higher flow capacities. Perfect for tank selection on larger vessels. Five port construction allows access to four tanks using only one valve.

FEATURES:

- Five NPT connections
- Bronze ball valve with stainless steel lever and nut
- RPTFE stem packing (virgin seats)
- Stem packing adjustable for wear
- 50 psig pressure rating
- Operation: Four selected inlets feed one common outlet - pointer on handle indicates the selected inlet
- Non-lubricated
- Easy mounting design



Part Number	Size	Dimensions (in.)								WT/100
		A	B	C	D	E	F	G	H	
78-124-01	1/2"	0.50	1.26	2.52	2.27	3.53	1.12	10-24	1.40	106
78-125-01A	3/4"	0.75	1.53	3.12	2.87	3.87	1.53	1/4-20	1.98	264



MARINE VALVES AND FITTINGS

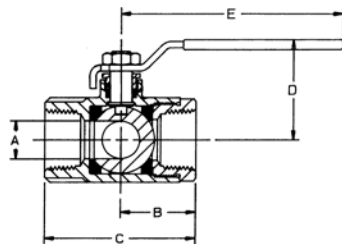
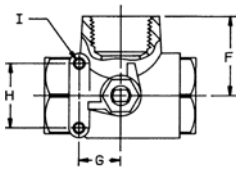
Three-Way Diverter Valve

SERIES 70-600-10

Fuel tank selection, oil transfer, and water tank selection are only a few of the uses for this versatile valve.

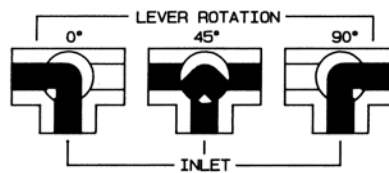
FEATURES:

- Bronze body
- Chromium plated bronze ball
- RPTFE seats and stuffing box ring
- Stainless steel lever and nut
- Mounting/bonding pads
- Blow-out-proof stem design
- 400 psig service rating
- Adjustable packing gland



Part Number	Size	Dimensions (in.)									WT/100
		A	B	C	D	E	F	G	H	I	
70-603-10	1/2"	0.50	1.09	2.25	1.75	3.87	1.18	0.87	1.37	10-24	76
70-604-10	3/4"	0.68	1.50	3.00	2.12	4.87	1.62	0.87	1.37	10-24	231
70-605-10	1"	0.81	1.59	3.18	2.25	4.87	1.71	0.87	1.37	10-24	204
70-606-10	1 1/4"	1.00	1.97	3.95	2.69	5.50	2.01	0.93	1.50	1/4-20	385
70-607-10	1 1/2"	1.25	2.21	4.40	2.87	5.50	2.38	0.94	1.50	1/4-20	522
70-608-10	2"	1.50	2.34	4.69	3.00	5.50	2.50	0.94	1.50	1/4-20	620

FLOW PATTERN



NOTE: Open port pressure must exceed Closed port pressure.

Also available in all Stainless Steel. Specify 76-600 Series.

Ball Type Fuel Shut-Off Valve

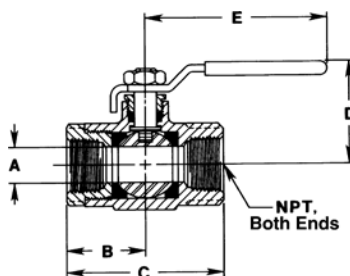


Quality bronze valve features "mounting ears" for quick easy installation, and positive mounting. Can also be used for bonding.

FEATURES:

- Surface mounted
- 400 psig service rating
- RPTFE seats and seals
- All wetted metallic parts are brass or cast bronze
- Fast 90° on-off turn
- Tested 100 psig air under water
- Stainless steel lever and nut
- Optional with stainless steel ball and stem

(Optional Tee Handle Illustrated)

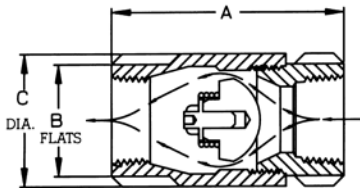


Part Number	Size	Dimensions (in.)					WT/100
		A	B	C	D	E	
78-248-10	1/4"	0.43	1.12	2.25	1.78	3.87	68
78-250-10	3/8"	0.50	1.12	2.25	1.78	3.87	68
78-256-10	1/2"	0.50	1.12	2.25	1.78	3.87	65
78-438-10	3/4"	0.68	1.50	3.00	2.12	4.87	140

MARINE VALVES AND FITTINGS

Bronze Ball Cone Check Valve

61 SERIES



61-100 Shown

Prevents reverse flow with minimum change in flow velocity.

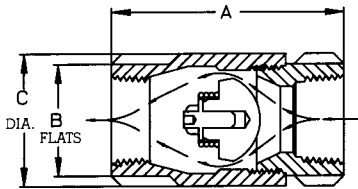
FEATURES:

- Tight shut off
- No radial alignment necessary
- Straight through and streamlined for minimum change in velocity
- Ball-Cone™ Check Is spring loaded for fast seating action (constructed of RPTFE)
- Not recommended for reciprocating pumps and similar applications conducive to repetitious vibrations
- Optional light spring
- Soft seat design - specify 61-500 Series
- Solder connections – specify 61-600 Series

Part Number	Part Number	Size	Dimensions (in.)			Approx. Open Pressure	WT/100
			A	B	C		
61-101-01	61-501-01	1/4"	2-1/16	1 1/8	1 1/8	1/2 PSIG	38
61-102-01	61-502-01	3/8"	2-1/8	1 1/8	1 1/8	1/2 PSIG	38
61-103-01	61-503-01	1/2"	2-5/18	1 1/8	1 1/8	1/2 PSIG	38
61-104-01	61-504-01	3/4"	2-7/8	1 3/8	1 1/2	1/2 PSIG	75
61-105-01	61-505-01	1"	3-1/2	1 3/4	1 15/16	1/2 PSIG	145
61-106-01	61-506-01	1 1/4"	4-3/16	2 1/8	2 3/8	1/2 PSIG	275
61-107-01	61-507-01	1 1/2"	4-15/16	2 1/2	2 13/16	1/2 PSIG	394
61-108-01	61-508-01	2"	6	3	3 11/16	1/2 PSIG	630

Stainless Steel Ball Cone Check Valve

62 SERIES



62-100 Shown

Prevents reverse flow with minimum change in flow velocity.

FEATURES:

- Tight shut off
- No radial alignment necessary
- Straight through and streamlined for minimum change in velocity
- Ball-Cone™ Check Is spring loaded for fast seating action (constructed of RPTFE)
- All wetted metal parts are 316 stainless steel
- Not recommended for reciprocating pumps and similar applications conducive to repetitious vibrations
- Optional light spring
- Soft seat design - specify 62-500 Series

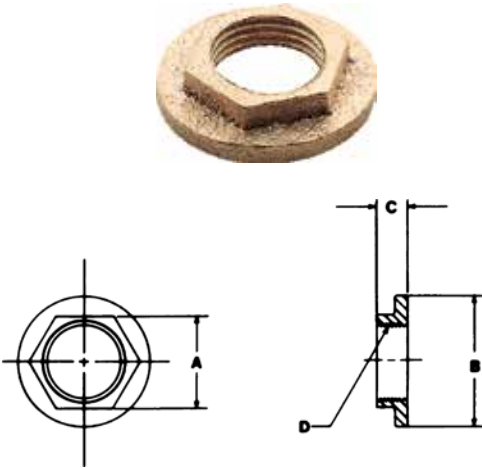
Part Number	Part Number	Size	Dimensions (in.)			Approx. Open Pressure	WT/100
			A	B	C		
62-102-01	62-502-01	3/8"	2-1/8	1 1/8	1 1/8	1/2 PSIG	38
62-103-01	62-503-01	1/2"	2-5/18	1 1/8	1 1/8	1/2 PSIG	38
62-104-01	62-504-01	3/4"	2-7/8	1 3/8	1 1/2	1/2 PSIG	75
62-105-01	62-505-01	1"	3-1/2	1 3/4	1 15/16	1/2 PSIG	145
62-106-01	–	1 1/4"	4-3/16	2 1/8	2 3/8	1/2 PSIG	275
62-107-01	–	1 1/2"	4-15/16	2 1/2	2 13/16	1/2 PSIG	394
62-108-01	–	2"	6	3	3 11/16	1/2 PSIG	630

MARINE VALVES AND FITTINGS

Thru-Hull Connections and Components

BRONZE FLANGE NUTS - PLAIN BRONZE FINISH ONLY

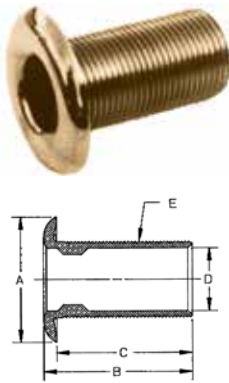
Conbraco offers a wide selection of thru-hull connections and components, available in a wide range of sizes. ** = Specify "BF" for Bronze Fitting only. Specify "BN" for Bronze Fitting with nut. Designed and built with large surface to distribute load, for longer service life and more reliable connections; 85-5-5-5 bronze.



Part Number	Size	Dimensions (in.)				WT/100
		A	B	C	D	
65-007-65	1/2"	1.00	1.50	0.312	1/2" NPSM	7
65-006-38	3/4"	1.25	1.84	0.406	3/4" NPSM	12.5
65-006-39	1"	1.56	2.15	0.468	1" NPSM	20
65-006-40	1 1/4"	1.90	2.59	0.50	1 1/4" NPSM	29
65-006-41	1 1/2"	2.16	2.90	0.50	1 1/2" NPSM	40
65-006-42	2"	2.59	3.31	0.593	2" NPSM	52

THRU-HULL CONNECTIONS

For connections below the waterline; 85-5-5-5 Bronze



Part Number	Size	Dimensions (in.)					WT/100*
		A	B	C	D	E	
65-**7-63	1/2"	1.70	2.5	2.26	0.469	1/2" NPSM	33.5
65-**7-50	3/4"	1.93	2.46	2.25	0.75	3/4" NPSM	35
65-**7-51	1"	2.31	2.75	2.5	1.03	1" NPSM	47.5
65-**7-52	1 1/4"	2.81	3.28	3	1.313	1 1/4" NPSM	84
65-**7-53	1 1/2"	3.06	3.62	3.31	1.53	1 1/2" NPSM	107.5
65-**7-54	2"	3.62	3.81	3.5	2.00	2" NPSM	142
65-**7-55	2 1/2"	4.31	3.93	3.56	2.43	2 1/2" NPSM	216.5

** = Specify "BF" For Bronze Fitting Only. Specify "BN" For Bronze Fitting With Nut.

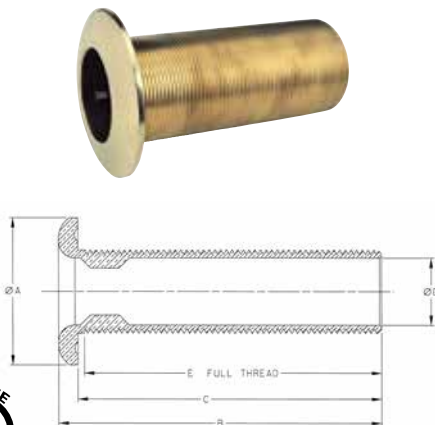
* = Weights are listed without nuts



(Excludes 1/2, 3/4")

EXTRA LONG THRU-HULL CONNECTIONS

Extra long to allow for thru-hull connections through the transom or through the bottom of foam filled hulls; 85-5-5-5 bronze.



Part Number	Max. Hull	Dimensions (in.)					Pipe Size	WT/100*
		A	B	C	D	E		
65-**8-03	5.25	1.88	5.94	5.63	0.75	5.51	3/4" NPSM	70.5
65-**8-04	5.19	2.25	5.88	5.53	1.00	5.41	1" NPSM	95
65-**8-05	5	2.75	5.88	5.50	1.25	5.38	1 1/4" NPSM	159.5
65-**8-06	5	3.06	5.88	5.50	1.50	5.38	1 1/2" NPSM	188.5
65-**8-07	5	3.69	6.03	5.63	2.00	5.51	2" NPSM	209.5
65-**8-08	5	4.44	5.94	5.50	2.50	5.38	2 1/2" NPSM	314

** = Specify "BF" For Bronze Fitting Only. Specify "BN" For Bronze Fitting With Nut.

* = Weights are listed without nuts



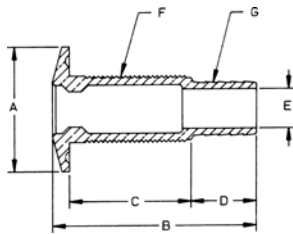
(Excludes 3/4")

MARINE VALVES AND FITTINGS

Thru-Hull Connections and Components

THRU-HULL CONNECTIONS - BARBED

Recommended for use above the waterline; 85-5-5-5 bronze.



(Excludes 1/2", 3/4")



Part Number	Max. Hull	Dimensions (in.)					Pipe Size F	Hose Size G	WT/100*
		A	B	C	D	E			
65-**7-97	1.06	1.56	3.00	1.5	1.25	0.44	1/2" NPSM	0.63	28.5
65-**7-98	1.63	1.88	3.69	2.06	1.38	0.56	3/4" NPSM	0.75	40.5
65-**7-99	1.75	2.42	3.88	2.25	1.31	0.75	1" NPSM	1.00	74
65-**7-01	1.88	2.81	4.25	2.44	1.47	1.00	1 1/4" NPSM	1.25	106.5
65-**7-02	1.88	3.06	4.25	2.38	1.50	1.25	1 1/2" NPSM	1.50	123.5
65-**7-03	1.88	2.81	4.25	2.44	1.44	0.87	1 1/4" NPSM	1.13	104

** = Specify "BF" For Bronze Fitting Only. Specify "BN" For Bronze Fitting With Nut.

* = Weights are listed without nuts

Intake Strainer

ONE PIECE INTAKE STRAINER

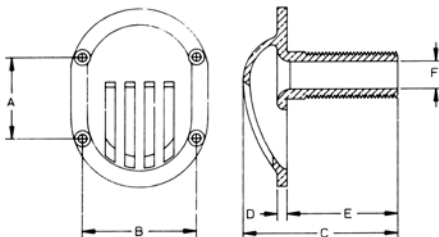
Designed for long life, easy installation; 85-5-5-5 bronze.



Part Number	Max. Hull	Strainer Dim.	Dimensions (in.)						Pipe Size	WT/100*
			A	B	C	D	E	F		
65-**8-09	2.00	2.6 X 3.5	1.56	2.19	3.00	0.19	2.13	0.53	1/2" NPSM	68
65-**8-10	2.19	3 X 4	1.94	2.47	3.63	0.19	2.56	0.75	3/4" NPSM	93.4
65-**8-11	2.50	3 X 4	1.88	2.50	3.88	0.19	2.91	1.00	1" NPSM	104
65-**8-12	3.00	3 1/4" X 4 1/4"	1.75	2.81	4.50	0.19	3.50	1.25	1 1/4" NPSM	158

** = Specify "BF" For Bronze Fitting Only. Specify "BN" For Bronze Fitting With Nut.

* = Weights are listed without nuts



(Excludes 1/2", 3/4")

MARINE VALVES AND FITTINGS

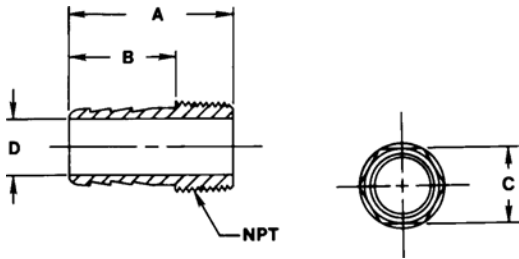
Adapters

PIPE TO HOSE ADAPTER

Features single-piece construction. Cast-in wrench flats make installation easier. 85-5-5-5 bronze.



Part Number	NPT Size	Hose I.D.	Dimensions (in.)				WT/100
			A	B	C	D	
65-007-56	1/2"	1/2" or 5/8"	2.58	1.63	0.87	0.40	18
65-007-51	3/4"	3/4"	1.93	1.00	0.87	0.51	23
65-007-52	1"	1"	2.25	1.13	1.12	0.80	34.8
65-007-53	1 1/4"	1 1/4"	2.69	1.44	1.37	1.03	61.2
65-007-54	1 1/2"	1 1/2"	2.63	1.44	1.62	1.28	81.8
65-007-55	2"	2"	2.88	1.63	2.12	1.75	130.5

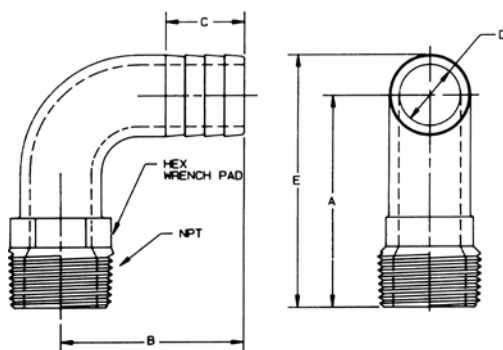


90° PIPE TO HOSE ADAPTER

One-piece adapter simplifies right angle connections. Cast with wrench flats for easy installation; 85-5-5-5 bronze.



Part Number	NPT Size	Hose Size	Hex	Dimensions (in.)					WT/100
				A	B	C	D	E	
65-907-50	1/2"	1/2" and 5/8"	5/8"	1.75	1.91	1.28	0.28	2.08	35
65-907-51	3/4"	3/4"	7/8"	2.50	2.25	1.13	0.54	2.92	41
65-907-52	1"	1"	1 1/8"	2.72	2.35	1.00	0.80	3.24	67
65-907-53	1 1/4"	1 1/4"	1 3/8"	3.11	2.66	1.25	1.03	3.75	106
65-907-54	1 1/2"	1 1/2"	1 5/8"	3.44	3.11	1.25	1.28	4.20	130
65-907-55	2"	2"	2 1/8"	3.99	3.99	1.50	1.63	5.00	260



MARINE VALVES AND FITTINGS

WARRANTY AND LIMITATIONS OF LIABILITY

Conbraco Industries, Inc. warrants, to its initial purchaser only, that its products which are delivered to this initial purchaser will be of the kind described in the order or price list and will be free of defects in workmanship or material for a period of FIVE years from the date of delivery to you, our initial purchaser. This warranty applies to Apollo brand product with "Made in the USA" markings only.

Should any failure to conform to this warranty appear within FIVE years after the date of the initial delivery to our initial purchaser, Conbraco will, upon written notification thereof and substantiation that the goods have been stored, installed, maintained and operated in accordance with Conbraco's recommendations and standard industry practice, correct such defects by suitable repair or replacement at Conbraco's own expense.

APOLLO INTERNATIONAL PRODUCTS: Conbraco Industries, Inc. warrants its International products, to its initial purchaser only, that its international products which are delivered to this initial purchaser will be of the kind described in the order or price list and will be free of defects in workmanship or material for a period of TWO years from the date of delivery to you, our initial purchaser.

THIS WARRANTY IS EXCLUSIVE AND IS IN LIEU OF ANY IMPLIED WARRANTY OF MERCHANTABILITY, FITNESS FOR A PARTICULAR PURPOSE OR OTHER WARRANTY OF QUALITY, WHETHER EXPRESSED OR IMPLIED, EXCEPT THE WARRANTY OF TITLE AND AGAINST PATENT INFRINGEMENT. Correction of non-conformities, in the manner and for the period of time provided above, shall constitute fulfillment of all liabilities of Conbraco to our initial purchaser, with respect to the goods, whether based on contract, negligence, strict tort or otherwise. It is the intention of Conbraco Industries, Inc. that no warranty of any kind, whether expressed or implied shall pass through our initial purchaser to any other person or corporation.

LIMITATION OF LIABILITY: Conbraco Industries, inc. SHALL NOT UNDER ANY CIRCUMSTANCES BE LIABLE FOR SPECIAL OR CONSEQUENTIAL DAMAGES SUCH AS, BUT NOT LIMITED TO, DAMAGES OR TO LOSS OF OTHER PROPERTY OR EQUIPMENT, LOSS OF PROFITS OR REVENUE, COST OF CAPITAL, COST OF PURCHASED OR REPLACEMENT GOODS, OR CLAIMS OF CUSTOMERS OF OUR INITIAL PURCHASER. THE REMEDIES OF OUR INITIAL PURCHASER, AND ALL OTHERS, SET FORTH HEREIN, ARE EXCLUSIVE, AND THE LIABILITY OF CONBRACO WITH RESPECT TO SAME SHALL NOT, EXCEPT AS EXPRESSLY PROVIDED HEREIN, EXCEED THE PRICE OF THE GOODS UPON WHICH SUCH LIABILITY IS BASED.

* It is the end user's responsibility to confirm that items intended for use satisfy local codes and standards.





SALES & CUSTOMER SERVICE:
 Phone: (704) 841-6000 Fax: (704) 841-6020

To find a Sales Rep in your area, visit our website.
www.apollovalves.com/replocator

REGIONAL MANAGEMENT – APOLLO VALVES, ELKHART PRODUCTS & LASCO FITTINGS

	AREAS COVERED	EMAIL	PHONE
SENIOR MANAGEMENT			
Brian Ragone	Senior VP - Sales & Marketing	brian.ragone@conbraco.com	513-200-5415
Don Russell	VP Sales - Commercial & Industrial	don.russell@conbraco.com	614-943-0688

REGIONAL SALES DIRECTORS – COMMERCIAL & INDUSTRIAL			
Mike Bedzyk	Central/Northeast	michael.bedzyk@conbraco.com	614-619-4993
Mitch Davis	S. Central/Southeast	mitch.davis@conbraco.com	678-628-4478
Phillip Merino	West	phillip.merino@conbraco.com	702-960-9935

REGIONAL SALES MANAGERS – COMMERCIAL & INDUSTRIAL			
Kevin Ashworth	Southeast	kevin.ashworth@conbraco.com	757-272-6200
Keith Baca	Southeast	keith.baca@conbraco.com	615-630-3892
Mike Blair	Central	mike.blair@conbraco.com	330-413-0035
Steve Brown	Northwest	steve.brown@conbraco.com	425-985-5095
Ken Copeland	Southwest	ken.copeland@conbraco.com	623-853-5744
Ben Lauletta	Northeast	ben.lauletta@conbraco.com	518-795-4629
Wesley Reinart	S. Central	wesley.reinart@conbraco.com	214-620-9901

INDUSTRIAL MARKET MANAGERS			
Dave Eck	Northeast	david.eck@conbraco.com	302-268-4411
Ken Griffin	Industrial & Commercial Valve Trainer	ken.griffin@conbraco.com	704-621-9296
Mark Sordelet	Central	mark.sordelet@conbraco.com	260-433-7393
Skip Wilson	Northwest	skip.wilson@conbraco.com	760-518-2222

BACKFLOW MARKET MANAGERS			
Pete Chapman	National Manager	pete.chapman@conbraco.com	559-577-2593
Cary Wiley	East	cary.wiley@conbraco.com	678-642-3356

APOLLOXPRESS MARKET MANAGERS			
John Rankel	National Manager	john.rankel@conbraco.com	702-445-0309
Todd Green	South Central	todd.green@conbraco.com	501-920-2029
Brian Jennings	North Central	brian.jennings@conbraco.com	859-394-3319
Robert Purchia	East	robert.purchia@conbraco.com	704-960-3532

	AREAS COVERED	EMAIL	PHONE
APOLLOPUSH MARKET MANAGERS			
George Dragosz	Northeast	george.dragosz@elkhartproducts.com	574-206-3953
Mark Schanback	Southeast	mark.schanback@conbraco.com	407-916-9626
Jeremy Small	Central	jeremy.small@conbraco.com	214-766-2106
Dean Weidlein	West	dean.weidlein@elkhartproducts.com	702-355-8615

WROT/CAST MARKET MANAGERS			
Cindy Goodwin	National Manager	cindy.goodwin@elkhartproducts.com	517-294-0007

CANADA			
Jeff Cooper	General Manager	jeff.cooper@conbraco.com	416-451-9336
Andy Fretz	Commercial	andy.fretz@conbraco.com	647-281-3161
Jim Todman	Industrial	jim.todman@conbraco.com	905-407-8385

LASCO FITTINGS REGIONAL SALES MANAGERS – IRRIGATION			
David Beyer	Northeast	dbeyer@lascofittings.com	561-718-9379
Don Caver	Central	dcaver@lascofittings.com	469-628-4918
Ben Freeman	Southeast	bfreeman@lascofittings.com	205-919-4944
Bryan Jackman	West	bjackman@lascofittings.com	714-673-5875
Jimmy White	National Sales Manager	jwhite@lascofittings.com	731-234-2372
Rick Williamson	Eastern Specifications Manager	rwilliamson@lascofittings.com	386-451-2307

INTERNATIONAL SALES MANAGERS			
Bill McNamara	Director of International Sales	bill.mcnamara@elkhartproducts.com	1-574-903-3821
JR Jefferson	Central/South America & the Caribbean	jr.jefferson@conbraco.com	1-832-220-3783
Brencliff Group	Australia, New Zealand	petermcl@brencliff.com	61 477 223110
Pegler Yorkshire	United Kingdom	adrian.byrne@conbraco.com	44-7740-449858
Pegler Yorkshire Mid East	Middle East/India	peter.pydubai@gmail.com	971-4-454-2353
	Europe/Africa/Israel	customersupport@conbraco.com	1-704-841-6000

current as of 7/20/15

For more information about **Apollo Valves, Elkhart Products Corporation**, and our family of **AMERICAN MADE** products, contact:

