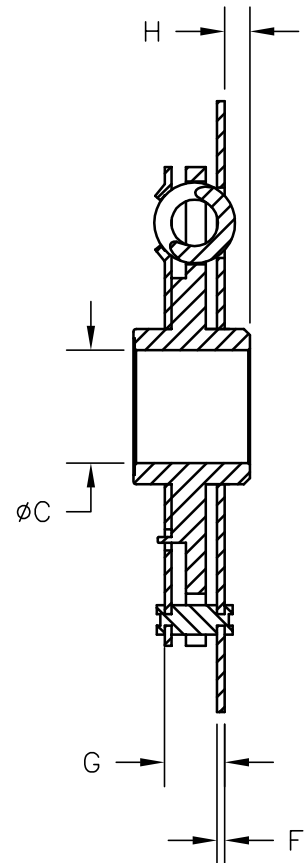
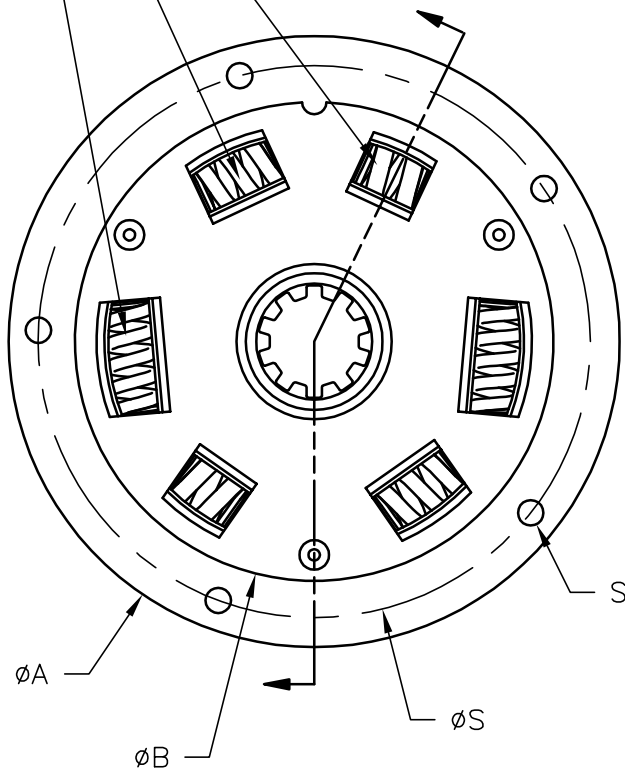


3 DIFFERENT
SIZE SPRINGS



DAMPER INFORMATION

TEETH: 10		TORQUE: 184.2 ft lb 249.741 Nm		THCK G: 0.565 [14.35]
DIA A: 6.189 [157.20]	HOLE DIA S: 0.257 [6.53]	HOLE DIA X: N/A	HOLE DIA Y: N/A	THCK H: 0.257 [6.53]
DIA B: 4.848 [123.14]	HOLE DIA T: N/A	HOLE DIA Z: N/A	HOLE DIA W: N/A	OAT: 1.181 [30.00]
DIA C: 1.145 [29.08]	HOLE DIA U: N/A	HOLE DIA V: 5.593 [142.06]	HOLE DIA S: N/A	SCALE: NONE
DIA D: N/A	HOLE DIA V: N/A	HOLE DIA T: N/A	HOLE DIA X: N/A	
DIA E: N/A	HOLE DIA W: N/A	HOLE DIA U: N/A	HOLE DIA Y: N/A	
				THCK F: 0.079 [2.01]

APPLICATION DAMPER

NOTES:
OEM # 288240
OEM # 1866-061-001

DRAWN BY:

JMS

CHECKED BY:

CDH

ALTO PRODUCTS CORP.

One Alto Way
Atmore, AL 36504
PH: (251)-368-7777
FAX: (251)-368-7774
www.AltoUSA.com

PART NUMBER

DA-303

REV: IR