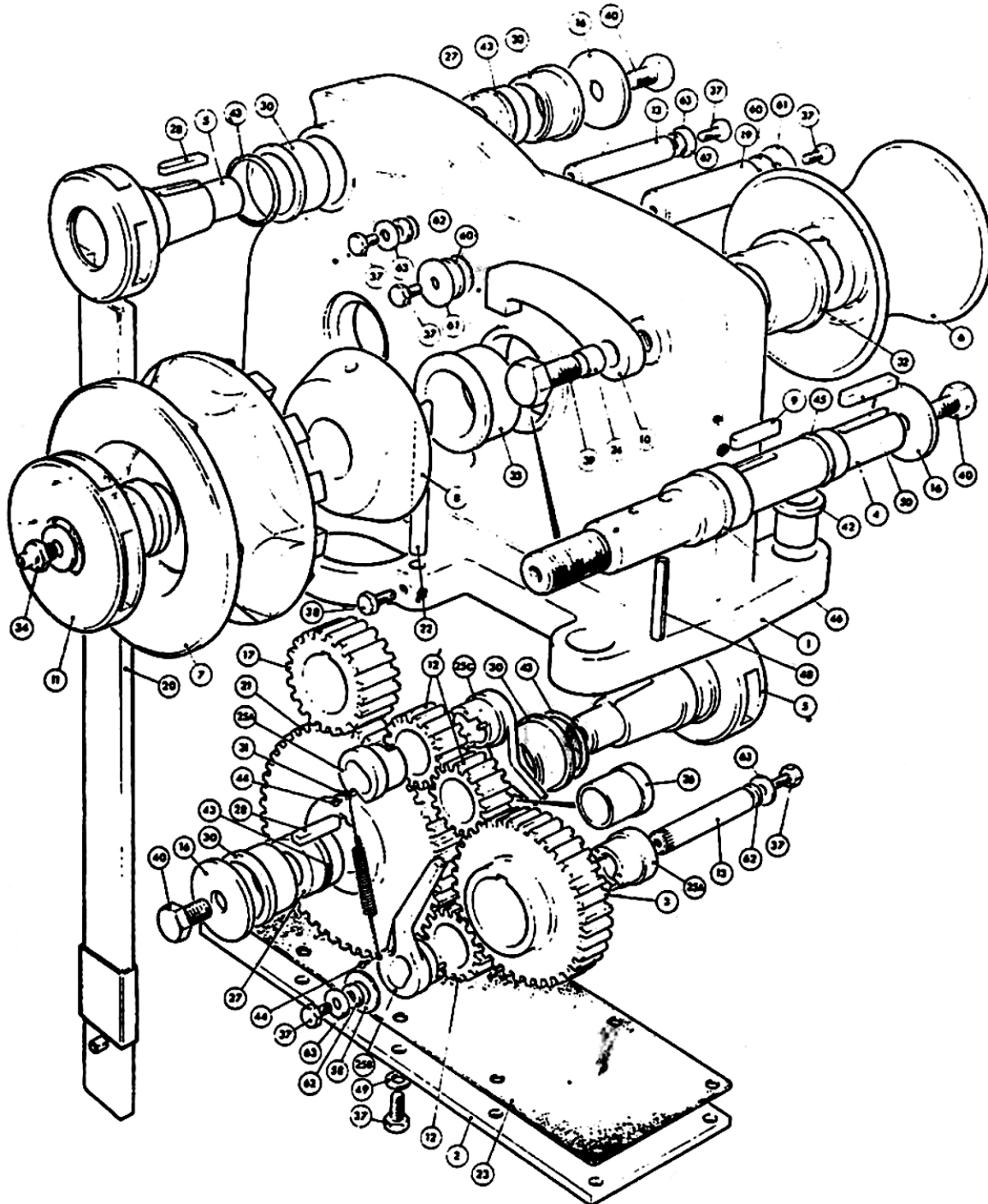


PARTS LIST

Ref. No.	List No.	Description	No. per Set								
1.		Case	1	20.	6055520	Operating Handle	1	34.	6055534	Grease Nipple	1
2.		Bottom Cover	1	21.		High Speed Gear	1	37.		Screw	16
3.		Mainshaft Gear	1	22.		Rope Chain Stripper	1	38.		Screw	1
4.		Mainshaft	1	23.	6055523	Bottom Gasket	1	39.		Screw	1
5.		Operating Spindle	2	24.		Pawl Bolt Tube	1	40.		Screw	3
6.		Drum	1	25A.		Ratchet Bush	2	42.	6055542	Headed Bush	4
7.		Gipsy	1	25B.		Ratchet Bush with Arm	1	43.		'O' Ring	4
8.		Clutch Cone	1	25C.		Ratchet Bush with short Arm	1	44.		Screw	4
9.		Key	1			Idler Bush	1	45.		'O' Ring	1
10.		Locking Pawl	1	26.		Bush	2	46.		'O' Ring	1
11.		Clutch Nut	1	27.		Key	2	48.		Spring Pin	1
12.		Idler	3	28.		Operating Spindle Bush	4	49.		Washer	10
13.		Ratchet Shaft	2	30.		Spring	2	50.		Key	1
16.		Operating Spindle Washer	3	31.		Mainshaft Bush, Port	1	58.		Ratchet Bush Spacer	2
17.		Low Speed Gear	1	32.		Mainshaft Bush, Startboard	1	60.		Idler Shaft Seal	2
19.		Idler Shaft	1	33.			1	61.		Idler Shaft Washer	2
								62.		Ratchet Shaft Seal	4
								63.		Ratchet Shaft Washer	4



NOTE:— When ordering Spares, please quote Serial Number which is stamped on the upper surface of the base flange near the chain pipe.